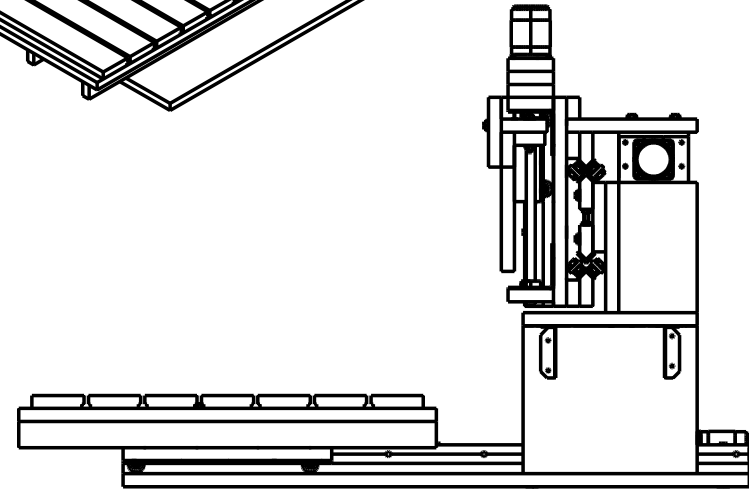
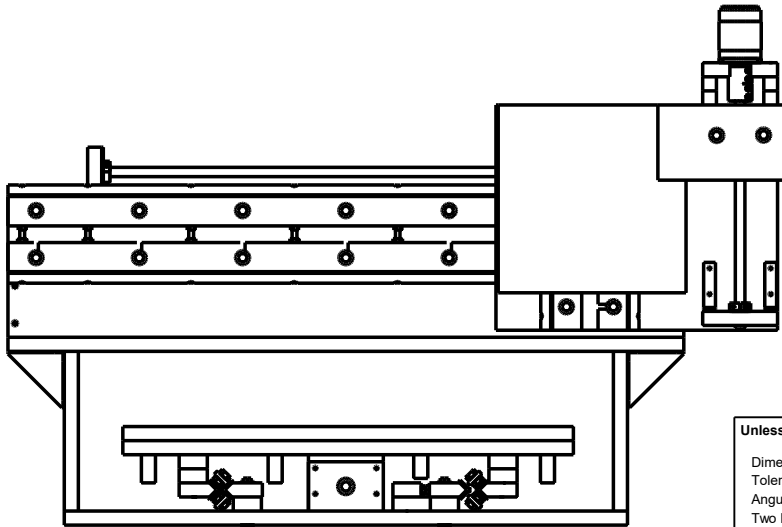
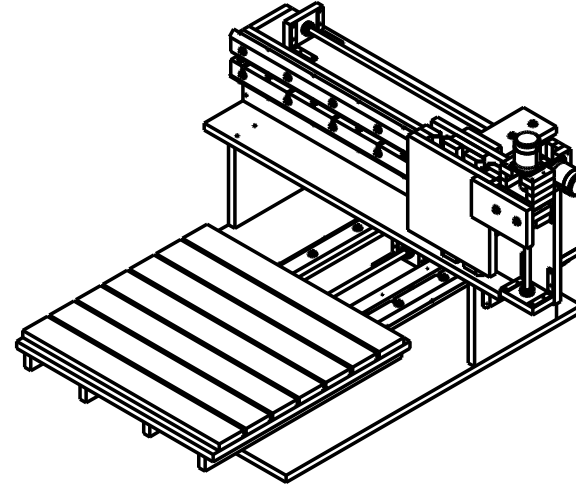
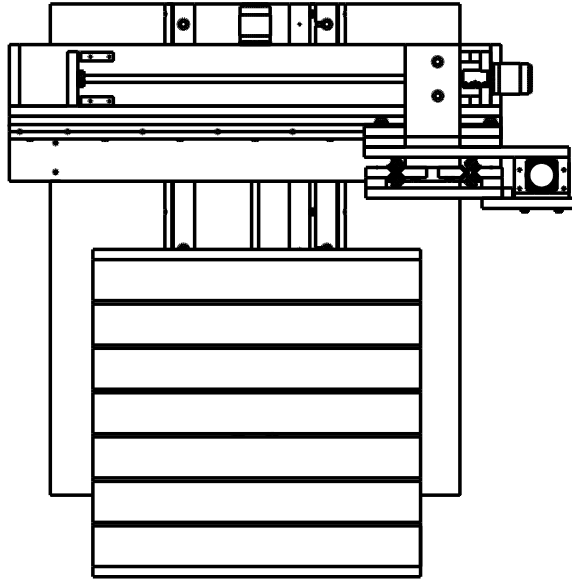
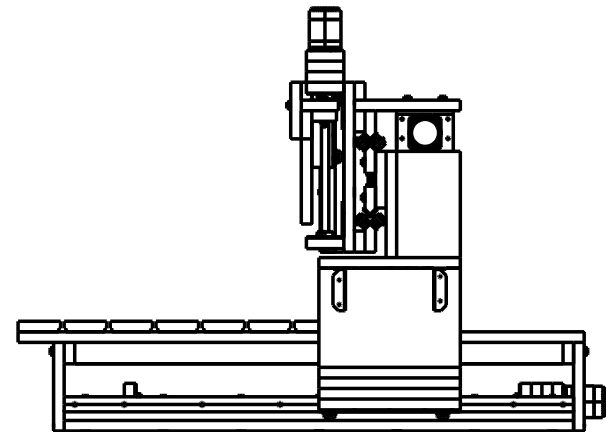
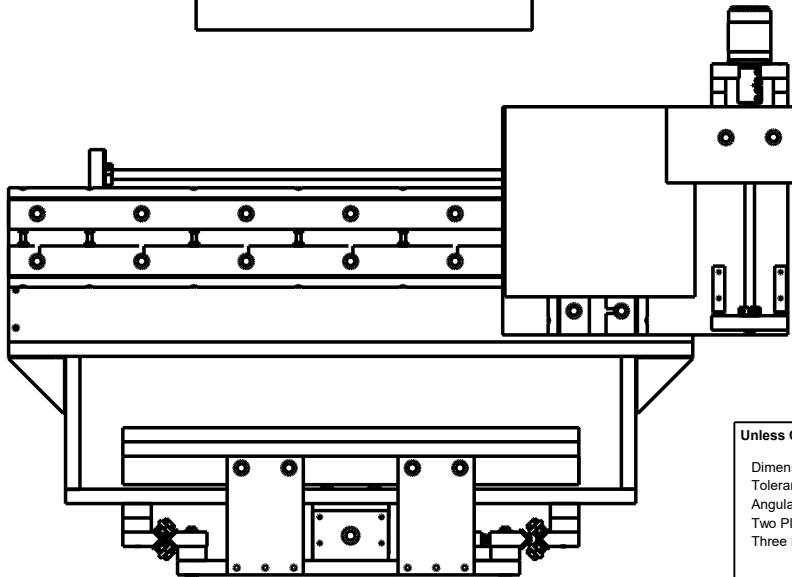
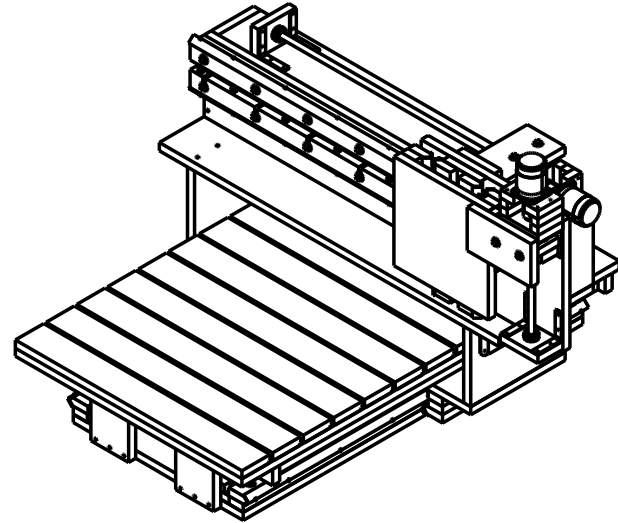
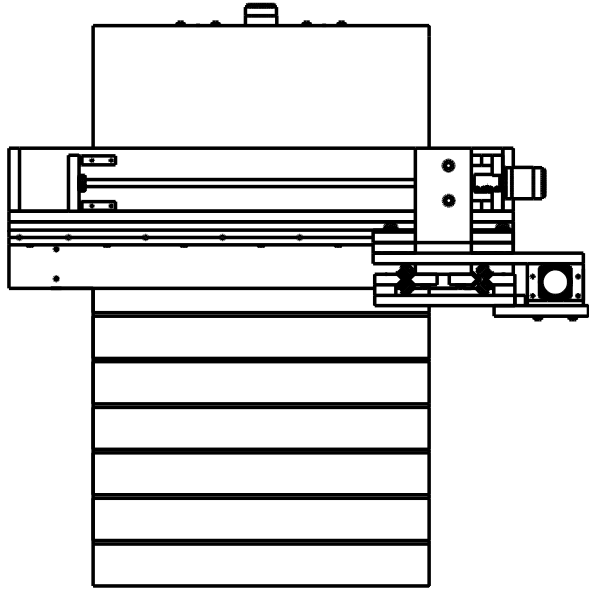


Revisions			Date	Approved
Zone	Rev	Description		



Unless Otherwise Specified:		Name	Date	BootstrapCNC CNC Router 2015 Moving Table Machine		
Dimensions in Inches		Drawn				
Tolerances: Fractional ±		Checked				
Angular: Mach ± Bend ±		ENG Appr.				
Two Place Decimal ±		MFR Appr.				
Three Place Decimal ±		QA		Size Drawing No. Rev A MTM A		
Material	--	Comments		Scale 1:1 CAD File Sheet 1 of 1		
Finish	--	CAD Generated Drawing Do Not Manually Update				
Do Not Scale Drawing						

Revisions			Date	Approved
Zone	Rev	Description		



Unless Otherwise Specified:

Dimensions in Inches
 Tolerances: Fractional ±
 Angular: Mach ± Bend ±
 Two Place Decimal ±
 Three Place Decimal ±

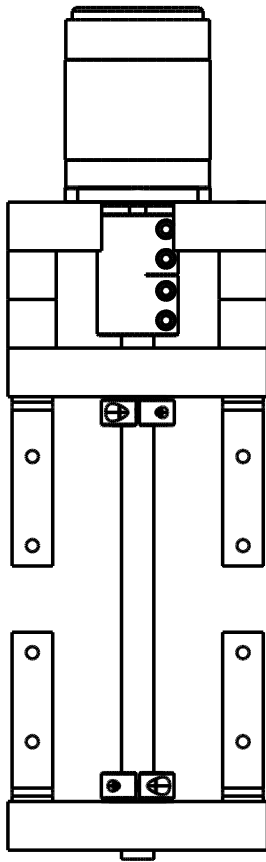
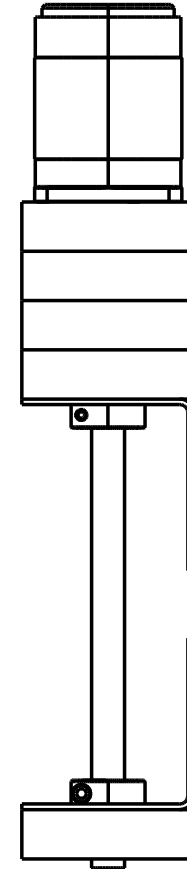
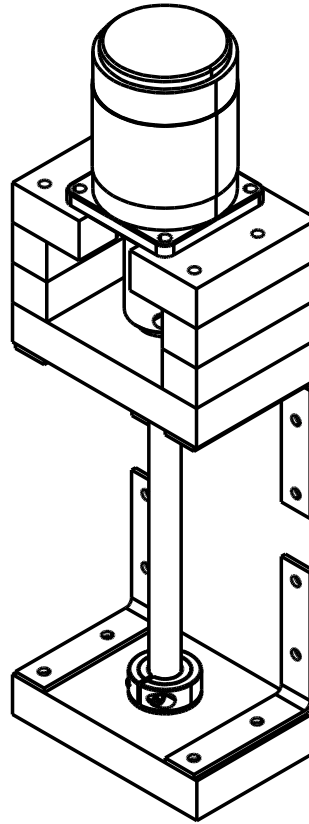
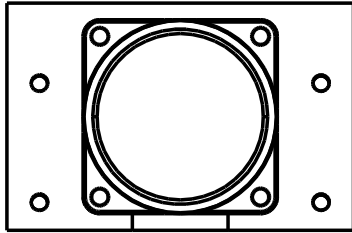
Material --
Finish --
Do Not Scale Drawing

	Name	Date
Drawn		
Checked		
ENG Appr.		
MFR Appr.		
QA		

Comments
 CAD Generated Drawing
 Do Not Manually Update

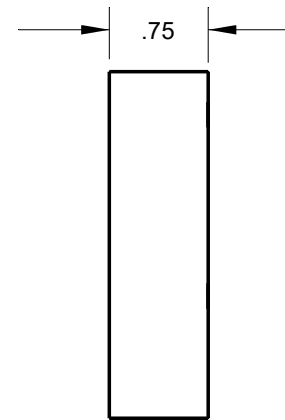
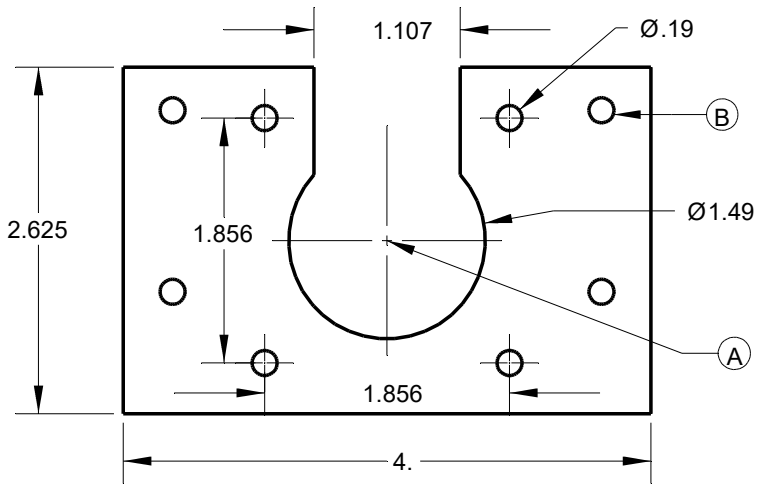
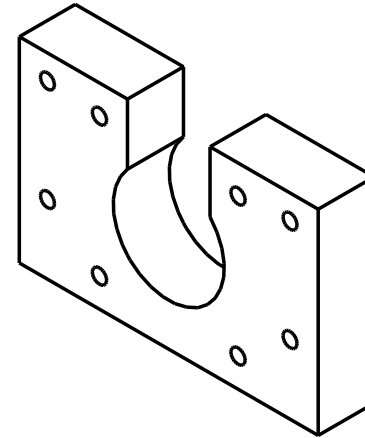
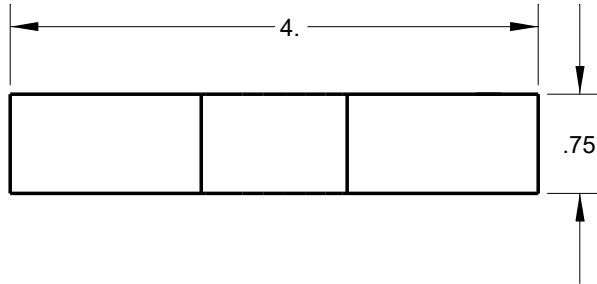
BootstrapCNC			
CNC Router 2015			
Flying Gantry Machine			
Size	Drawing No.	Rev	
A	FGM	A	
Scale	1:1	CAD File	Sheet 1 of 1

Revisions			Date	Approved
Zone	Rev	Description		



Unless Otherwise Specified: Dimensions in Inches Tolerances: Fractional ± Angular: Mach ± Bend ± Two Place Decimal ± Three Place Decimal ±	Drawn	Name	Date	BootstrapCNC CNC Router 2015 Drive Assembly			
	Checked						
	ENG Appr.						
	MFR Appr.						
	QA						
Material	Comments CAD Generated Drawing Do Not Manually Update			Size	Drawing No.	Rev	
Finish				A	DA	A	
Do Not Scale Drawing				Scale	1:1	CAD File	Sheet 1 of 1

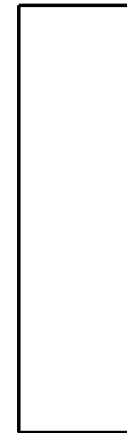
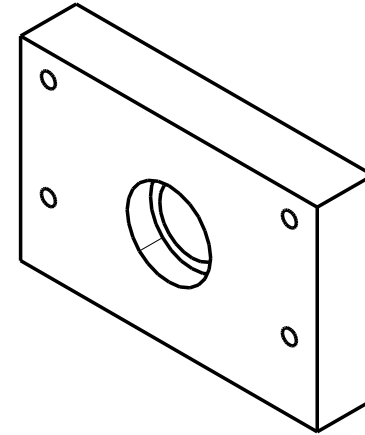
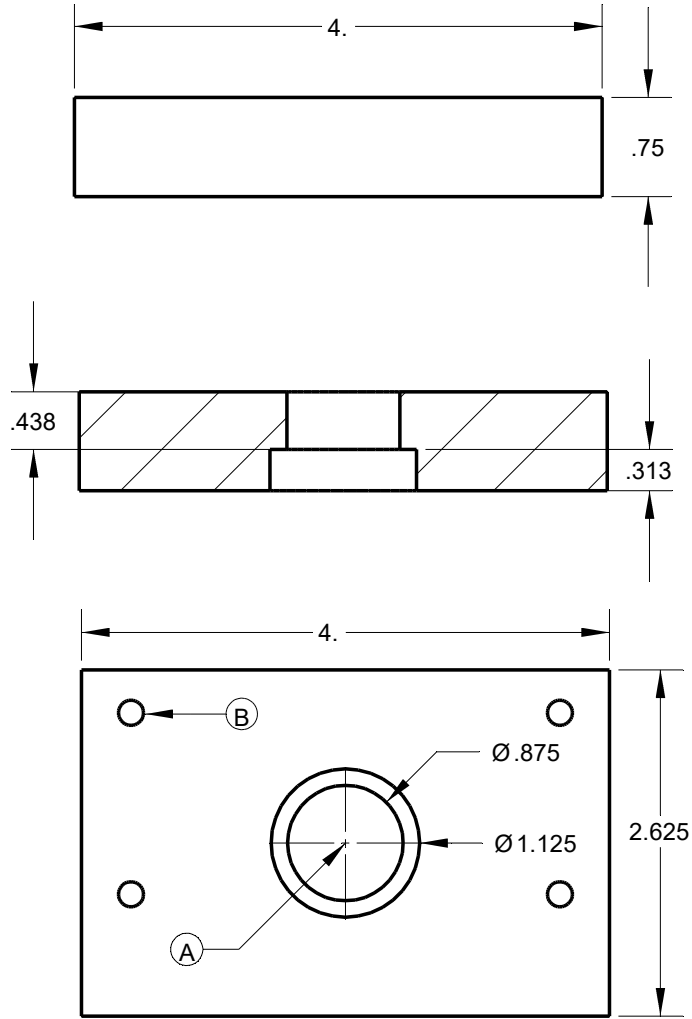
Revisions			Date	Approved
Zone	Rev	Description		



A - Center @ 2, 1.3125
 B - Bracket holes will vary depending on the vendor

Unless Otherwise Specified: Dimensions in Inches Tolerances: Fractional ± Angular: Mach ± Bend ± Two Place Decimal ± Three Place Decimal ±	Name		Date		BootstrapCNC CNC Router 2015 X/Y Motor Mount		
	Drawn						
	Checked						
	ENG Appr.						
	MFR Appr.						
	QA				Size	Drawing No.	Rev
Material	--	Comments		A	MM	A	
Finish	--	CAD Generated Drawing Do Not Manually Update		Scale	1:1	CAD File	
Do Not Scale Drawing				Sheet	1 of 1		

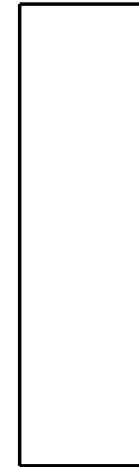
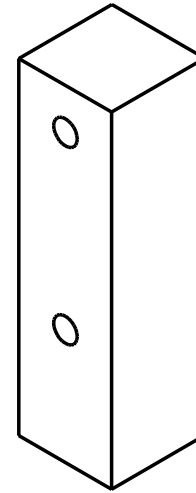
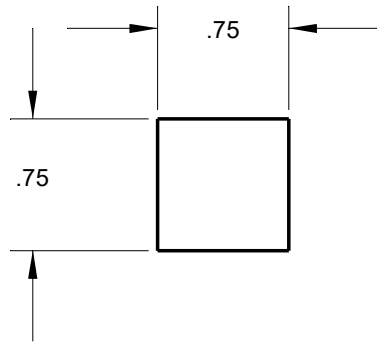
Revisions			Date	Approved
Zone	Rev	Description		



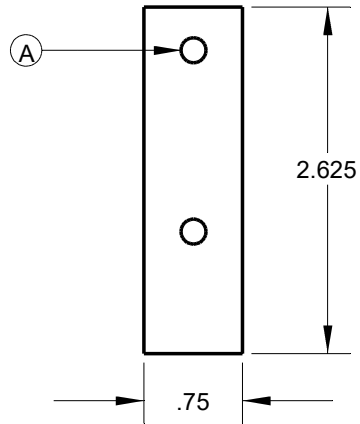
A - Center @ 2, 1.3125
 B - Bracket holes will vary depending on vendor

Unless Otherwise Specified: Dimensions in Inches Tolerances: Fractional ± Angular: Mach ± Bend ± Two Place Decimal ± Three Place Decimal ±	Drawn	Name	Date	BootstrapCNC CNC Router 2015 X/Y Motor Mount Bearing Block		
	Checked					
	ENG Appr.					
	MFR Appr.					
	QA					
	Comments	CAD Generated Drawing Do Not Manually Update				
Material --	Size A	Drawing No. MBB	Rev A			
Finish --	Scale 1:1	CAD File	Sheet 1 of 1			
Do Not Scale Drawing						

		Revisions			
Zone	Rev	Description	Date	Approved	

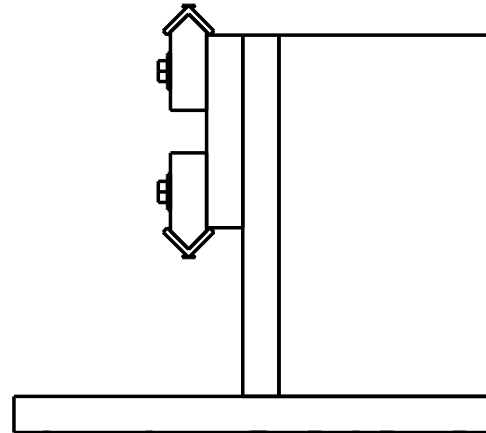
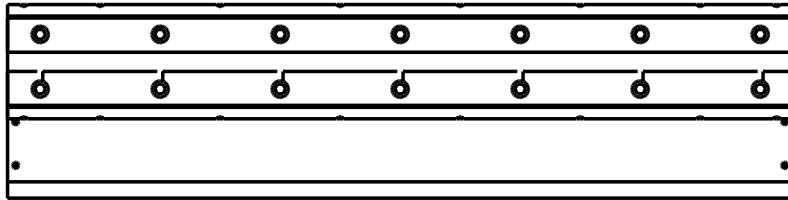
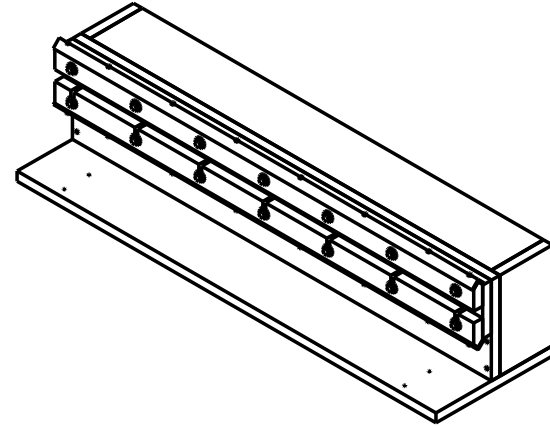
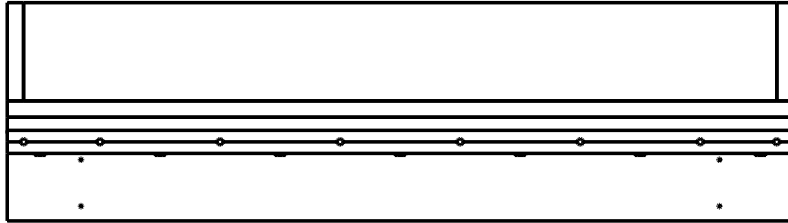


A - Bracket holes will vary depending on vendor



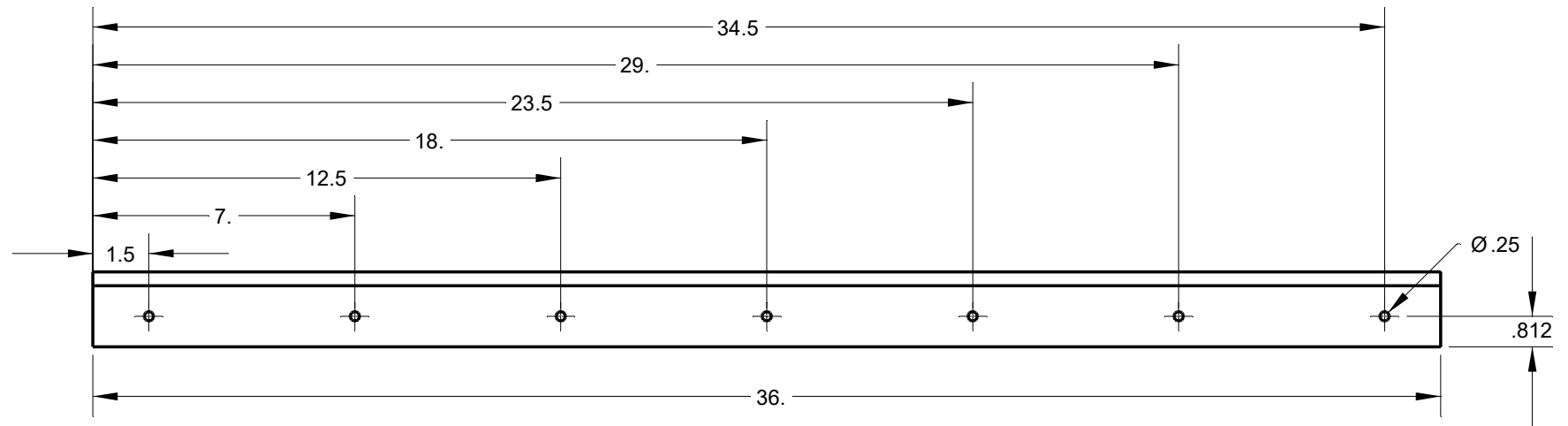
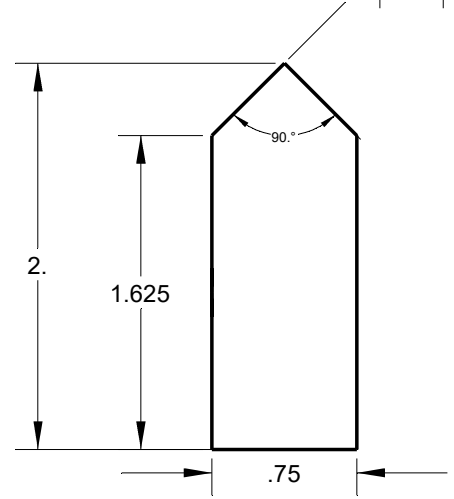
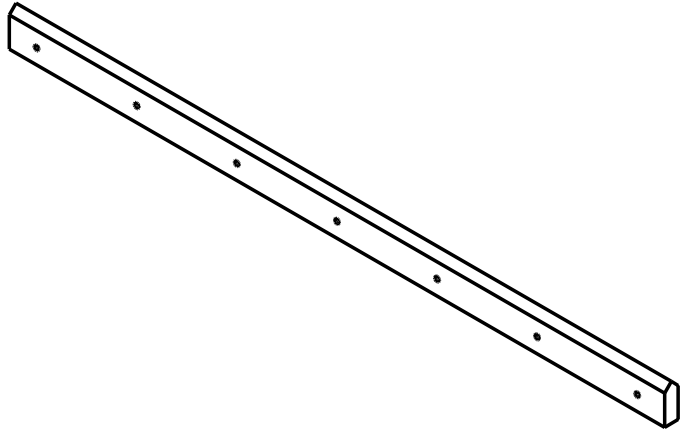
Unless Otherwise Specified: Dimensions in Inches Tolerances: Fractional ± Angular: Mach ± Bend ± Two Place Decimal ± Three Place Decimal ±	Drawn	Name	Date	BootstrapCNC CNC Router 2015 Motor Mount Spacer		
	Checked					
	ENG Appr.					
	MFR Appr.					
	QA					
	Comments			Size	Drawing No.	Rev
Material --	CAD Generated Drawing Do Not Manually Update			A	MMS	A
Finish --				Scale	1:1	CAD File
Do Not Scale Drawing				Sheet	1 of 1	

Revisions			Date	Approved
Zone	Rev	Description		



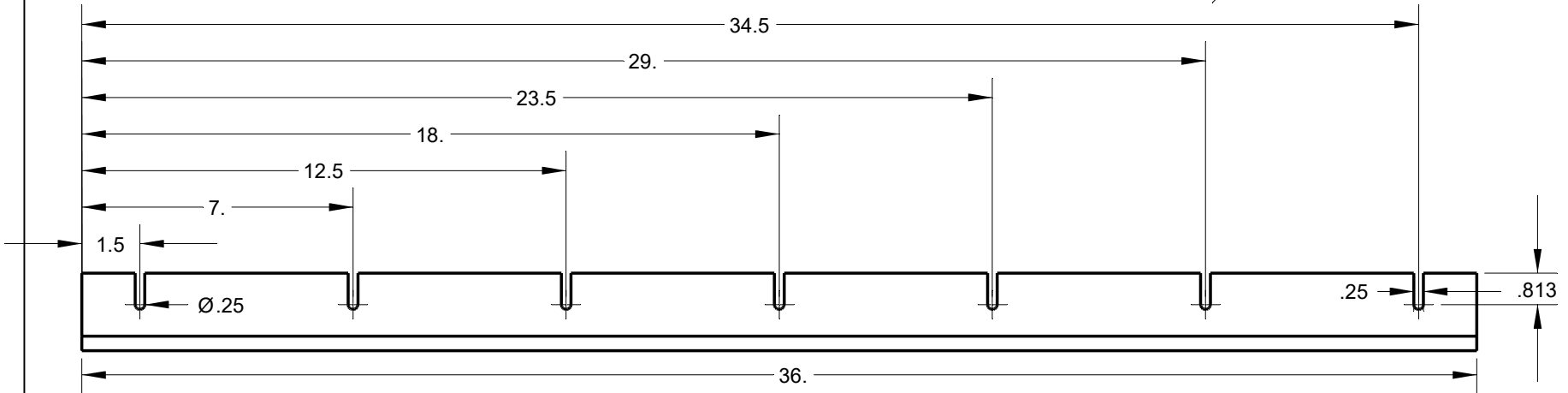
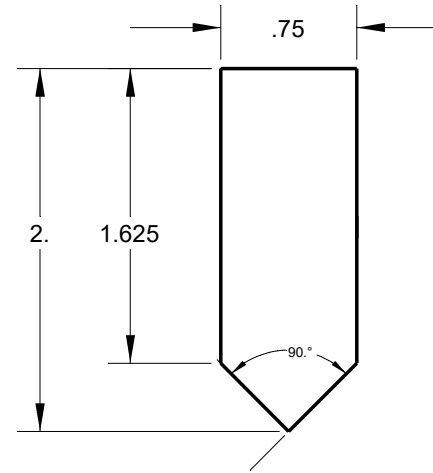
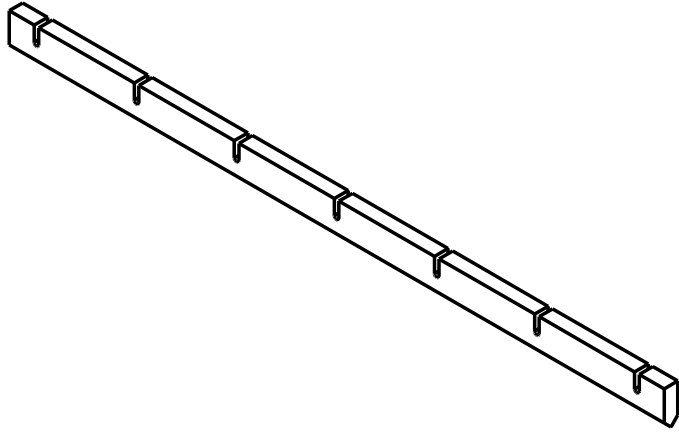
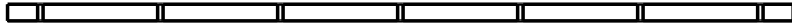
Unless Otherwise Specified: Dimensions in Inches Tolerances: Fractional ± Angular: Mach ± Bend ± Two Place Decimal ± Three Place Decimal ±		Name	Date	BootstrapCNC CNC Router 2015 Gantry Assembled		
	Drawn					
	Checked					
	ENG Appr.					
	MFR Appr.					
	QA					
	Comments CAD Generated Drawing Do Not Manually Update			Size	Drawing No.	Rev
Material				A	GA	A
Finish				Scale	1:1	CAD File
Do Not Scale Drawing				Sheet	1 of 1	

Revisions			Date	Approved
Zone	Rev	Description		



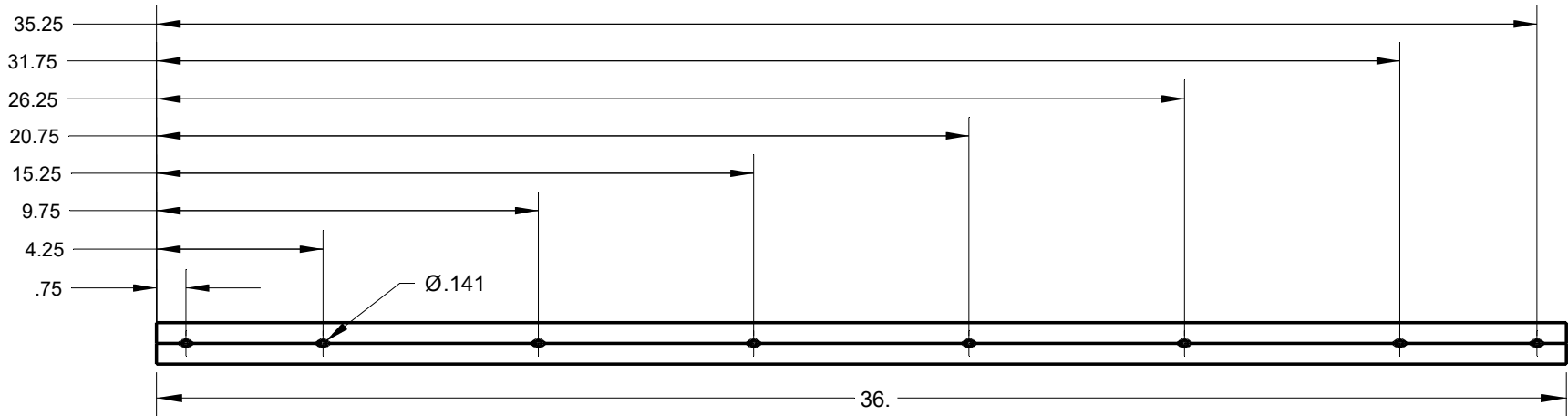
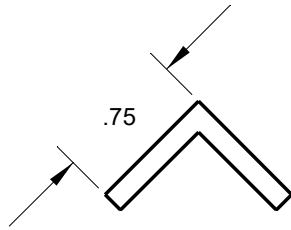
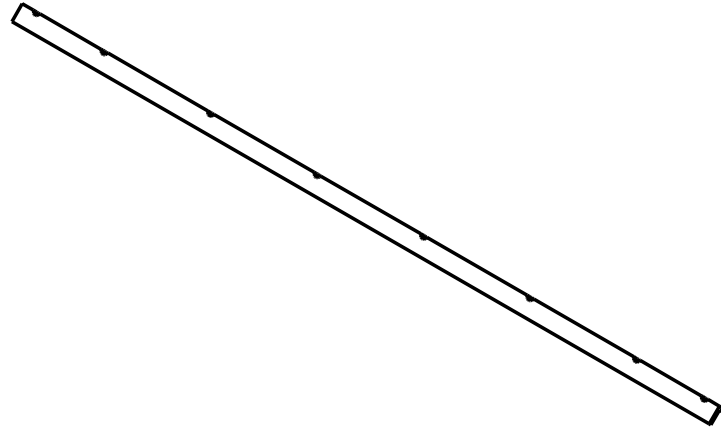
Unless Otherwise Specified: Dimensions in Inches Tolerances: Fractional ± Angular: Mach ± Bend ± Two Place Decimal ± Three Place Decimal ±	Drawn	Name	Date	BootstrapCNC CNC Router 2015 36 Inch Rail Block				
	Checked							
	ENG Appr.							
	MFR Appr.							
	QA							
Material	Comments			Size	Drawing No.	Rev		
Finish	CAD Generated Drawing Do Not Manually Update			A	RB36	A		
Do Not Scale Drawing				Scale	1:1	CAD File	Sheet	1 of 1

Revisions			Date	Approved
Zone	Rev	Description		



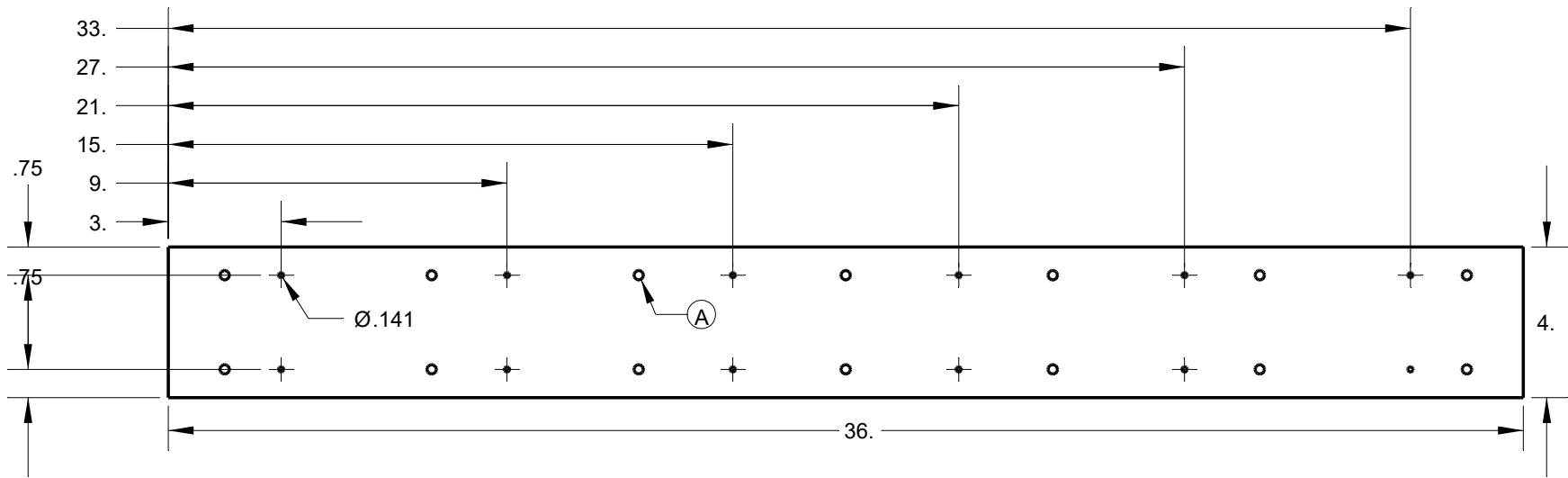
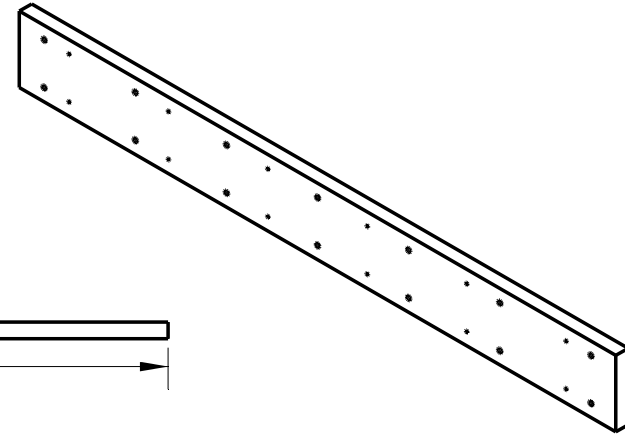
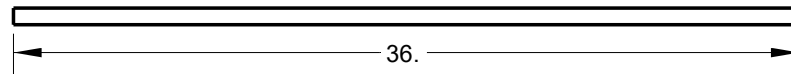
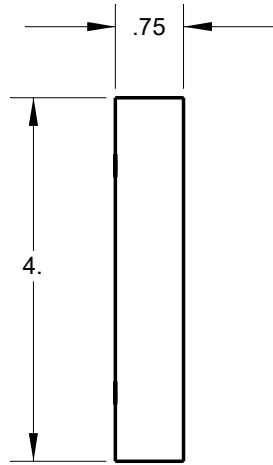
Unless Otherwise Specified: Dimensions in Inches Tolerances: Fractional ± Angular: Mach ± Bend ± Two Place Decimal ± Three Place Decimal ±		Name	Date	BootstrapCNC CNC Router 2015 36 Inch Slotted Rail Block		
	Drawn					
	Checked					
	ENG Appr.					
	MFR Appr.					
	QA					
Material		Comments CAD Generated Drawing Do Not Manually Update		Size	Drawing No.	Rev
Finish				A	RBS36	A
Do Not Scale Drawing				Scale	1:1	CAD File

Revisions			Date	Approved
Zone	Rev	Description		



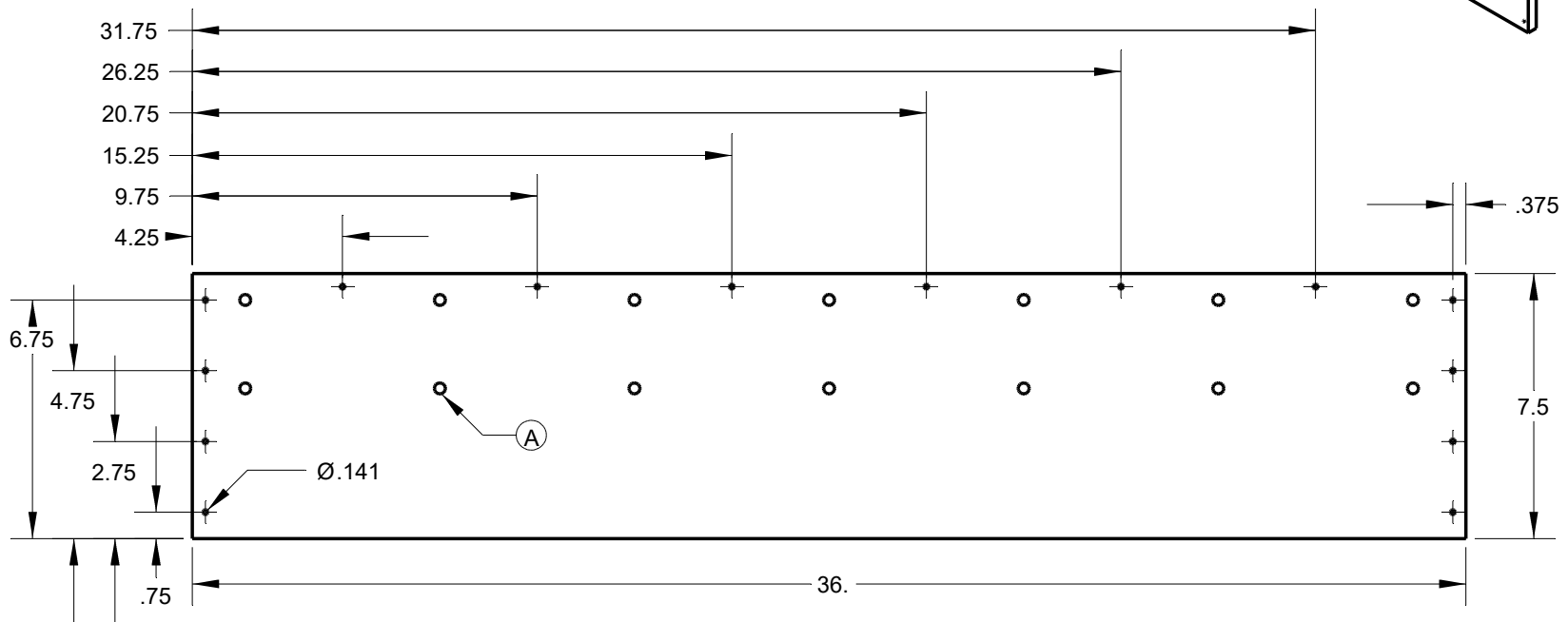
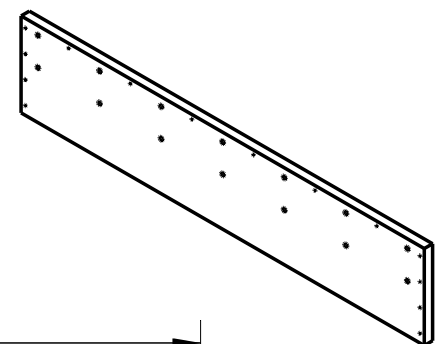
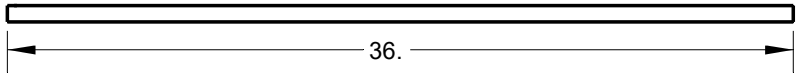
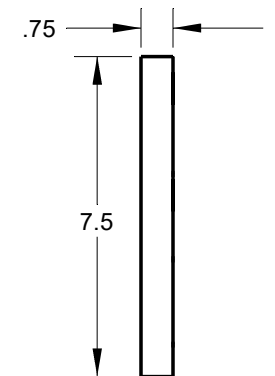
Unless Otherwise Specified: Dimensions in Inches Tolerances: Fractional ± Angular: Mach ± Bend ± Two Place Decimal ± Three Place Decimal ±	Drawn	Name	Date	BootstrapCNC CNC Router 2015 36 Inch Rail	
	Checked				
	ENG Appr.				
	MFR Appr.				
	QA				
Material	Comments		Size	Drawing No.	Rev
Finish	CAD Generated Drawing Do Not Manually Update		A	R36	A
Do Not Scale Drawing	Scale	1:1	CAD File	Sheet	1 of 1

Revisions			Date	Approved
Zone	Rev	Description		



A - Holes created during assembly process

Unless Otherwise Specified: Dimensions in Inches Tolerances: Fractional ± Angular: Mach ± Bend ± Two Place Decimal ± Three Place Decimal ±	Drawn	Name	Date	BootstrapCNC CNC Router 2015 36 Inch Dual Rail Spacer				
	Checked							
	ENG Appr.							
	MFR Appr.							
	QA							
Material	Comments			Size	Drawing No.	Rev		
Finish	CAD Generated Drawing Do Not Manually Update			A	DRS36	A		
Do Not Scale Drawing				Scale	1:1	CAD File	Sheet	1 of 1

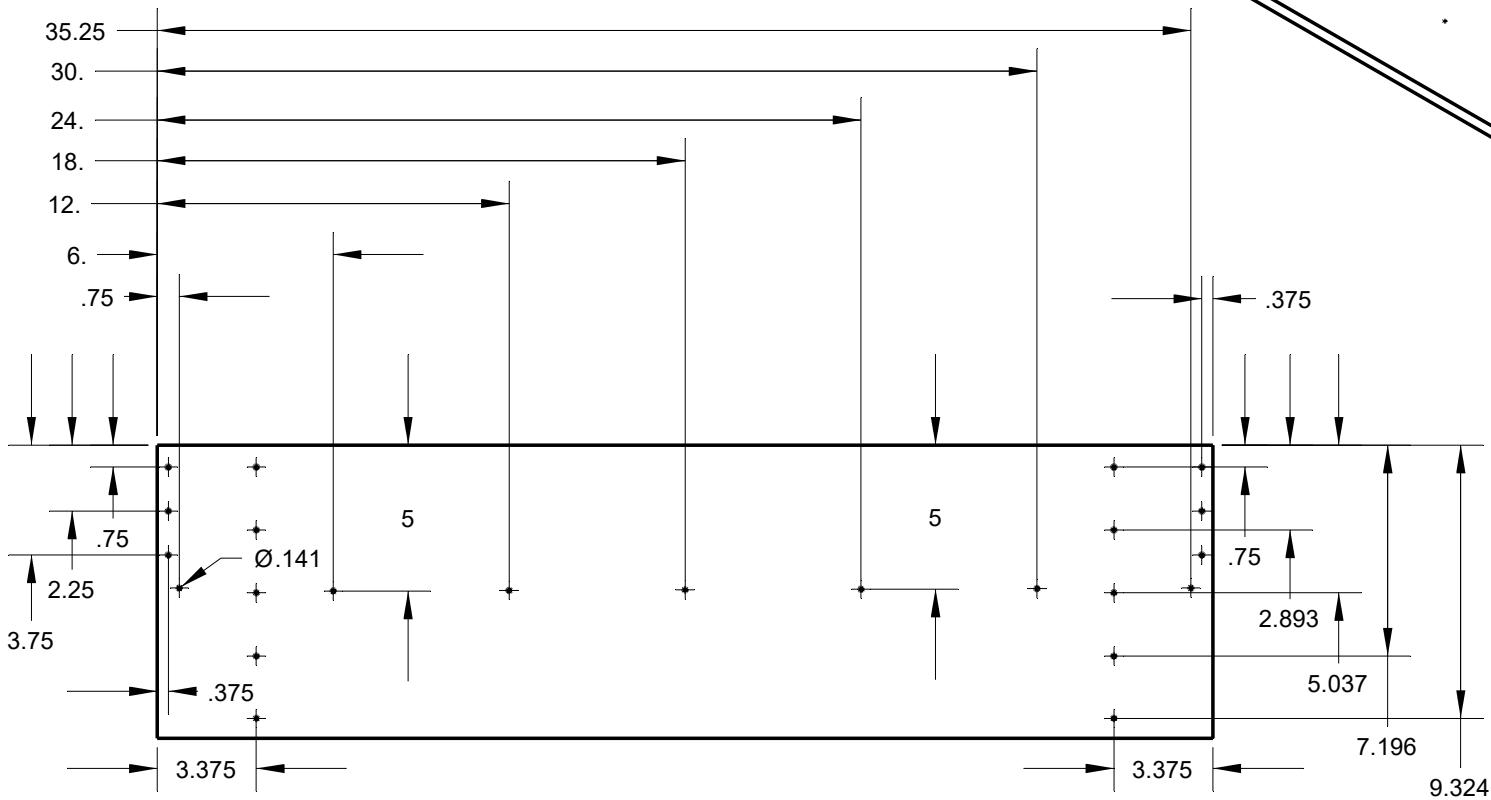
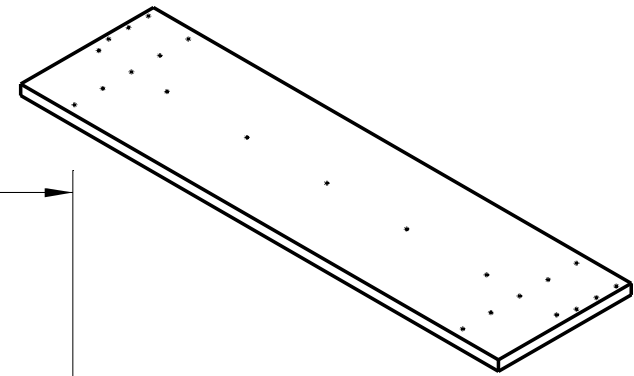
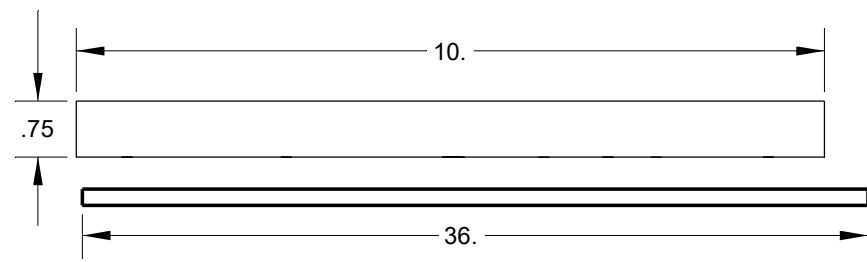


A - Holes created during assembly process

Revisions			Date	Approved
Zone	Rev	Description		

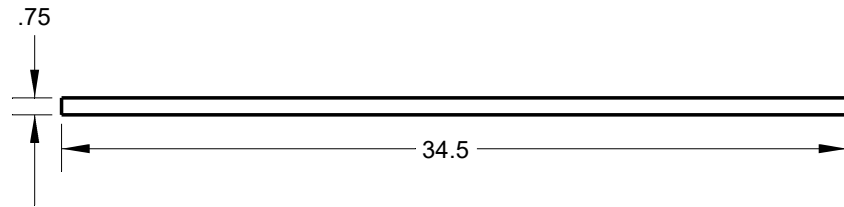
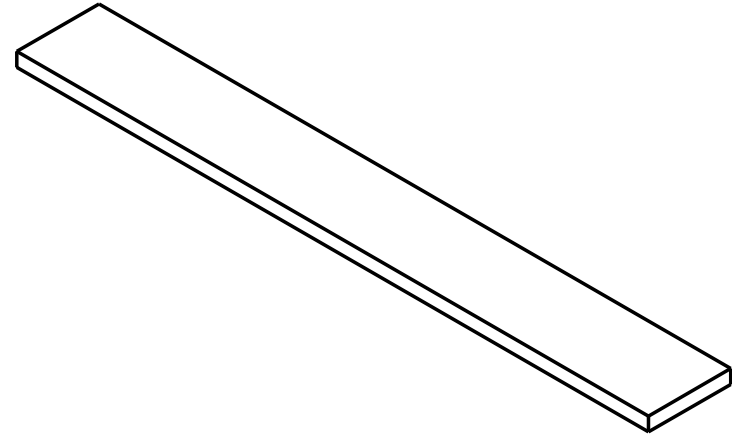
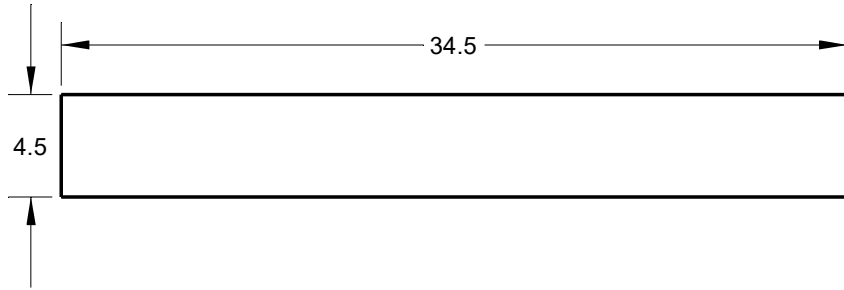
Unless Otherwise Specified: Dimensions in Inches Tolerances: Fractional ± Angular: Mach ± Bend ± Two Place Decimal ± Three Place Decimal ±	Drawn	Name	Date	BootstrapCNC CNC Router 2015 36 Inch Gantry Back	
	Checked				
	ENG Appr.				
	MFR Appr.				
	QA				
Material	Comments		Size	Drawing No.	Rev
Finish	CAD Generated Drawing Do Not Manually Update		A	GBK36	A
Do Not Scale Drawing	Scale	1:1	CAD File	Sheet	1 of 1

Revisions			Date	Approved
Zone	Rev	Description		



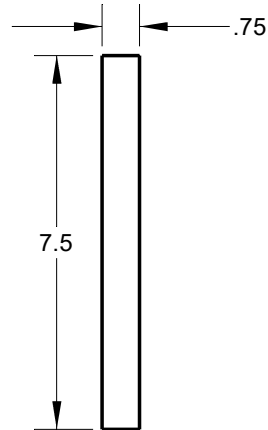
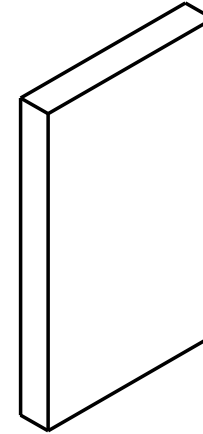
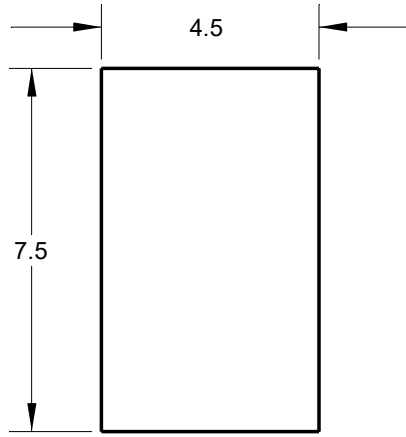
Unless Otherwise Specified: Dimensions in Inches Tolerances: Fractional ± Angular: Mach ± Bend ± Two Place Decimal ± Three Place Decimal ±		Name	Date	BootstrapCNC CNC Router 2015 36 Inch Gantry Bottom		
	Drawn					
	Checked					
	ENG Appr.					
	MFR Appr.					
	QA					
Material		Comments CAD Generated Drawing Do Not Manually Update		Size	Drawing No.	Rev
Finish				A	GB36	A
Do Not Scale Drawing				Scale	1:1	CAD File

Revisions			Date	Approved
Zone	Rev	Description		



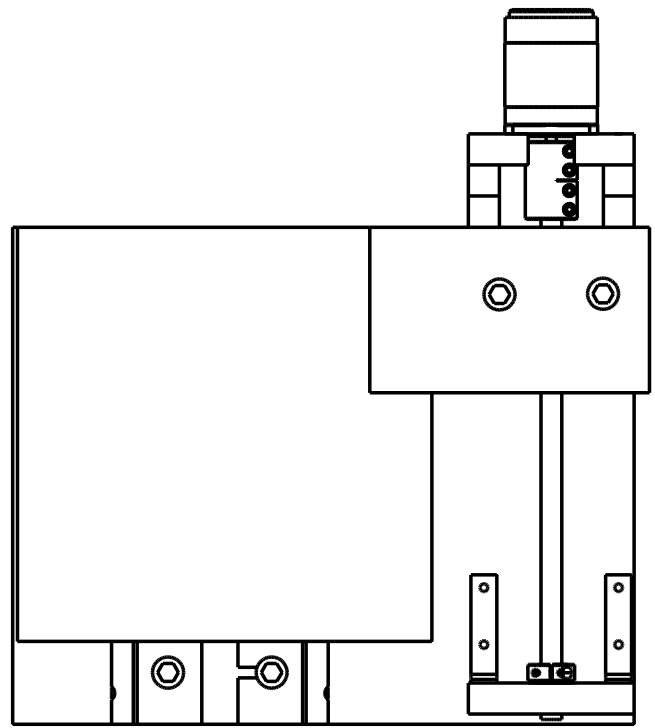
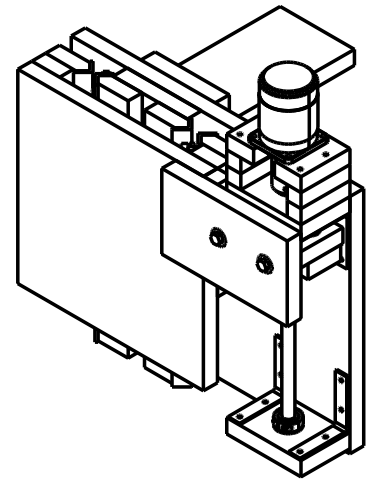
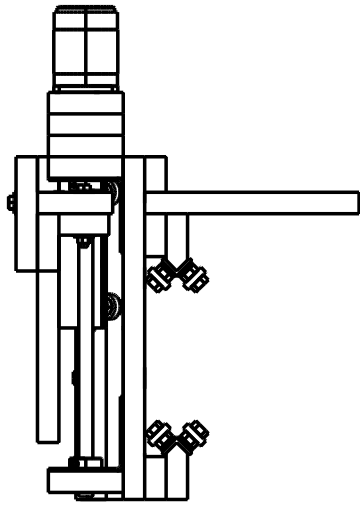
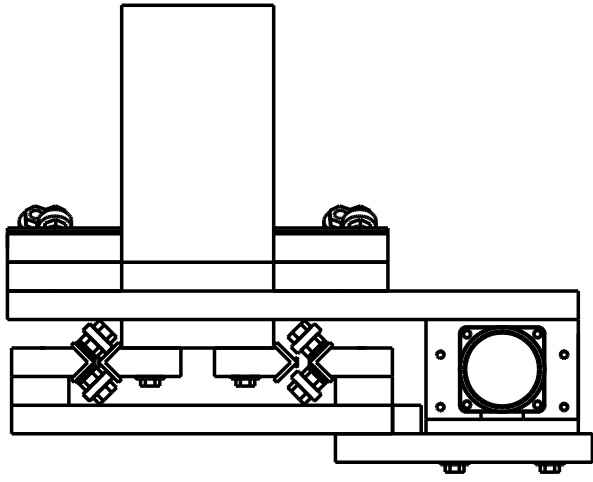
Unless Otherwise Specified: Dimensions in Inches Tolerances: Fractional ± Angular: Mach ± Bend ± Two Place Decimal ± Three Place Decimal ±		Name	Date	BootstrapCNC				
	Drawn						CNC Router 2015 Gantry Top Back (Shelf)	
	Checked			Size	Drawing No.	Rev		
	ENG Appr.			A	GTB36	A		
	MFR Appr.			Scale	1:1	CAD File	Sheet	1 of 1
	QA			Comments CAD Generated Drawing Do Not Manually Update				
Material	--							
Finish	--							
Do Not Scale Drawing								

Revisions			Date	Approved
Zone	Rev	Description		



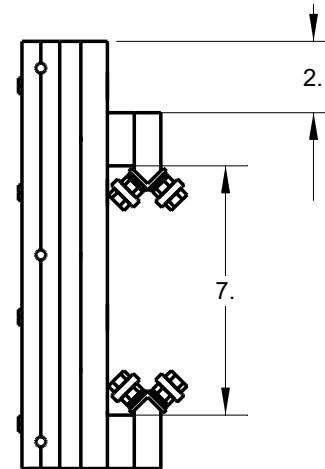
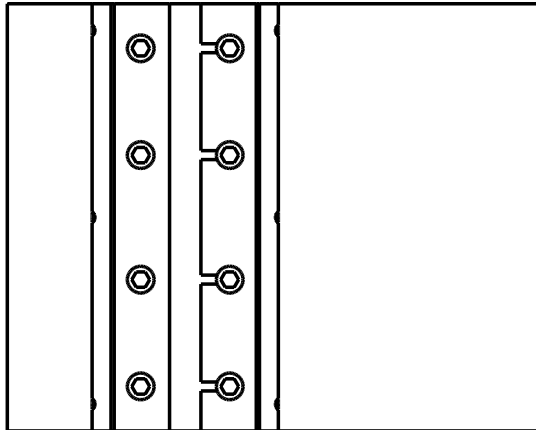
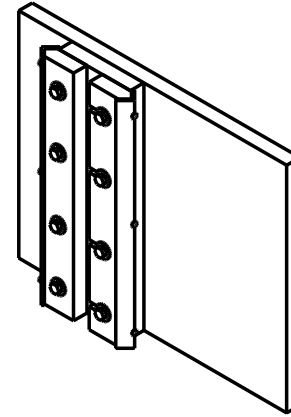
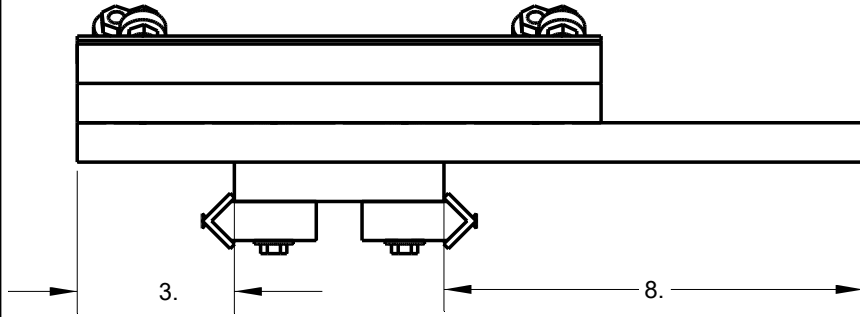
Unless Otherwise Specified: Dimensions in Inches Tolerances: Fractional ± Angular: Mach ± Bend ± Two Place Decimal ± Three Place Decimal ±	Drawn	Name	Date	BootstrapCNC CNC Router 2015 Gantry Side Backs (Supports)		
	Checked					
	ENG Appr.					
	MFR Appr.					
	QA					
Material --	Comments			Size	Drawing No.	Rev
Finish --	CAD Generated Drawing Do Not Manually Update			A	GSB	A
Do Not Scale Drawing				Scale 1:1	CAD File	Sheet 1 of 1

Revisions			Date	Approved
Zone	Rev	Description		



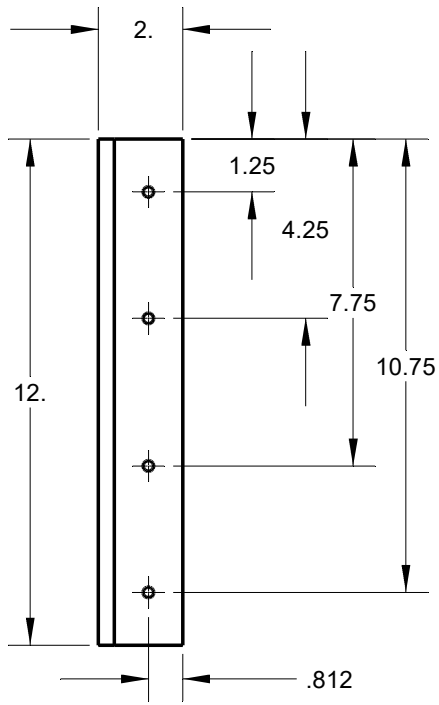
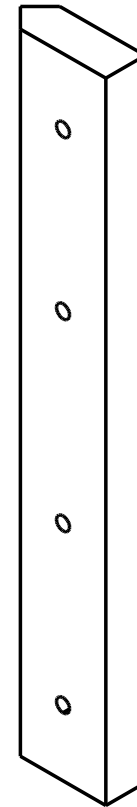
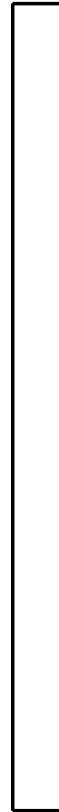
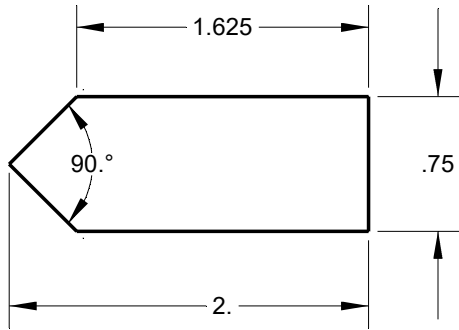
Unless Otherwise Specified:		Name	Date	BootstrapCNC CNC Router 2015 Carriage Assembly		
Dimensions in Inches		Drawn				
Tolerances: Fractional ±		Checked				
Angular: Mach ± Bend ±		ENG Appr.				
Two Place Decimal ±		MFR Appr.				
Three Place Decimal ±		QA		Size Drawing No. Rev A CA A		
Material	--	Comments		Scale 1:1 CAD File Sheet 1 of 1		
Finish	--	CAD Generated Drawing Do Not Manually Update				
Do Not Scale Drawing						

Revisions			Date	Approved
Zone	Rev	Description		



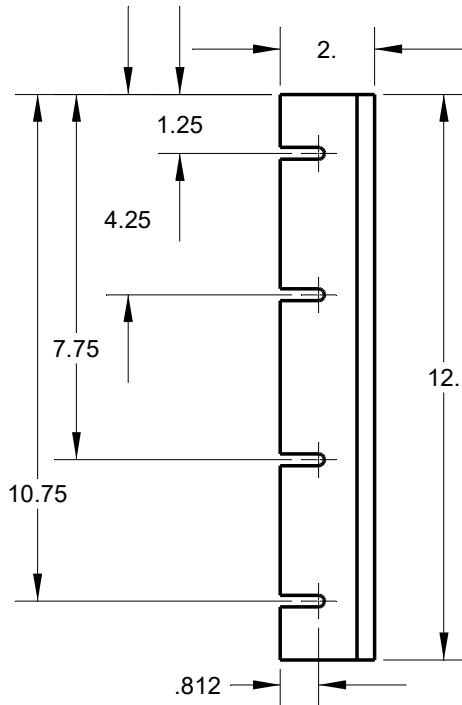
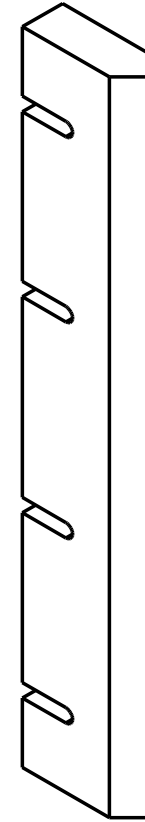
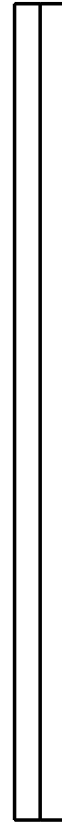
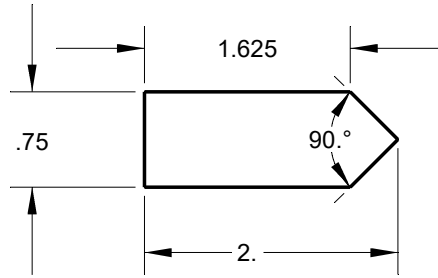
Unless Otherwise Specified: Dimensions in Inches Tolerances: Fractional ± Angular: Mach ± Bend ± Two Place Decimal ± Three Place Decimal ±		Name	Date	BootstrapCNC CNC Router 2015 Y Carriage Assembled				
	Drawn							
	Checked							
	ENG Appr.							
	MFR Appr.							
Material		Comments		Size	Drawing No.	Rev		
Finish		CAD Generated Drawing Do Not Manually Update		A	YCA	A		
Do Not Scale Drawing				Scale	1:1	CAD File	Sheet	1 of 1

Revisions			Date	Approved
Zone	Rev	Description		



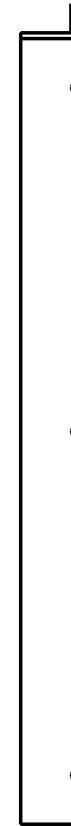
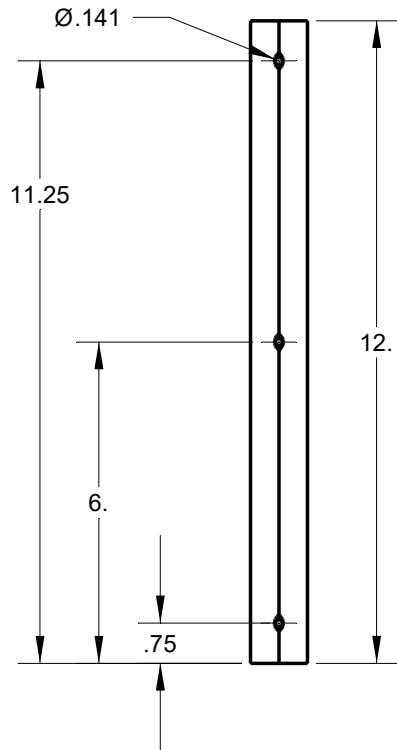
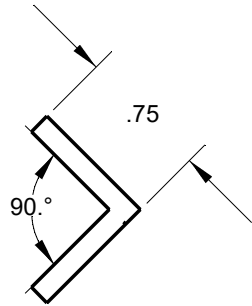
Unless Otherwise Specified: Dimensions in Inches Tolerances: Fractional ± Angular: Mach ± Bend ± Two Place Decimal ± Three Place Decimal ±	Drawn	Name	Date	BootstrapCNC CNC Router 2015 12 Inch Rail Block	
	Checked				
	ENG Appr.				
	MFR Appr.				
	QA				
Material --	Comments			Size	Drawing No.
Finish --	CAD Generated Drawing Do Not Manually Update			A	RB12
Do Not Scale Drawing				Scale	Rev
				1:1	A
				CAD File	Sheet 1 of 1

Revisions			Date	Approved
Zone	Rev	Description		



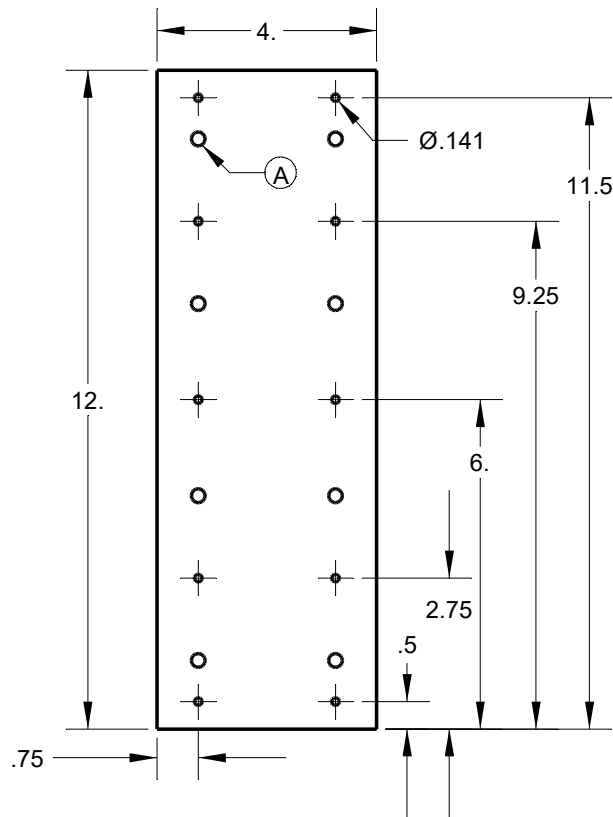
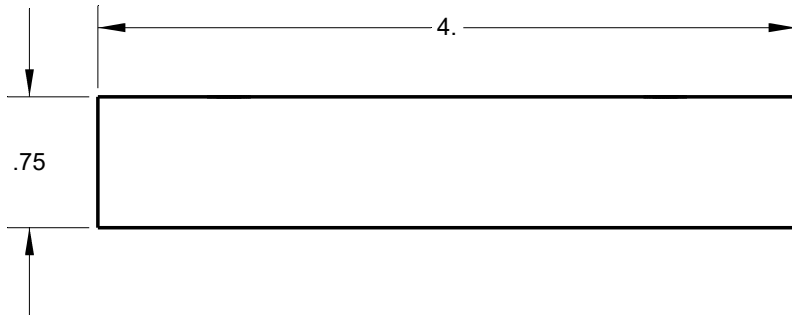
Unless Otherwise Specified:		Name	Date	BootstrapCNC			
Dimensions in Inches		Drawn					
Tolerances: Fractional ±		Checked					
Angular: Mach ± Bend ±		ENG Appr.					
Two Place Decimal ±		MFR Appr.					
Three Place Decimal ±		QA		CNC Router 2015			
Material --		Comments				Size	Drawing No.
Finish --		CAD Generated Drawing Do Not Manually Update				A	RBS12
Do Not Scale Drawing				Rev	A		
		Scale	1:1	CAD File	Sheet		
				1 of 1			

Revisions			Date	Approved
Zone	Rev	Description		

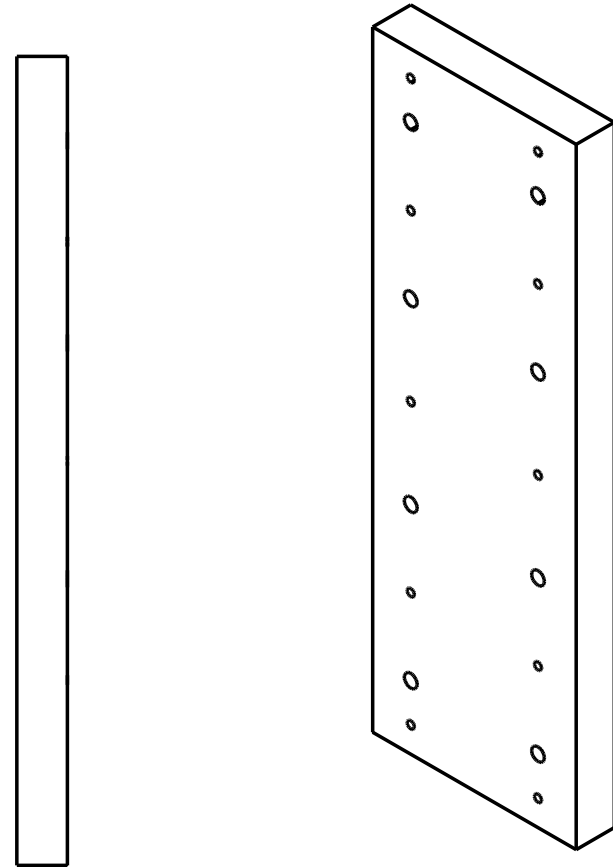


Unless Otherwise Specified: Dimensions in Inches Tolerances: Fractional ± Angular: Mach ± Bend ± Two Place Decimal ± Three Place Decimal ±	Drawn	Name	Date	BootstrapCNC CNC Router 2015 12 Inch Rail		
	Checked					
	ENG Appr.					
	MFR Appr.					
	QA					
Material --	Comments			Size	Drawing No.	Rev
Finish --	CAD Generated Drawing Do Not Manually Update			A	R12	A
Do Not Scale Drawing	Scale	1:1	CAD File	Sheet	1 of 1	

Revisions			Date	Approved
Zone	Rev	Description		

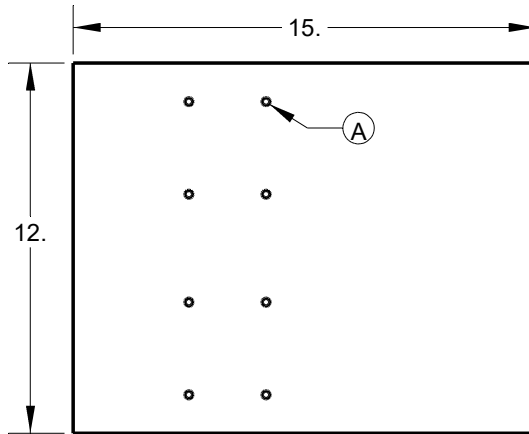
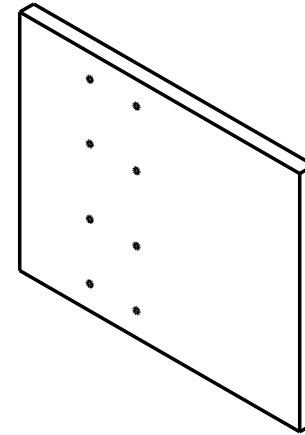
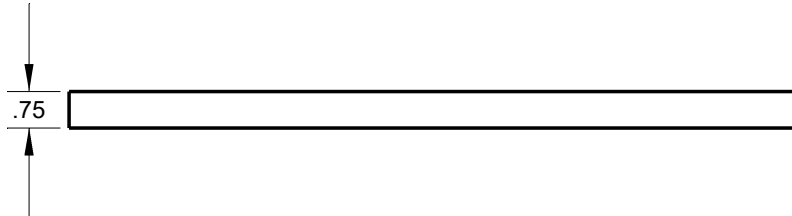


A - Holes made during assembly process.



Unless Otherwise Specified: Dimensions in Inches Tolerances: Fractional \pm Angular: Mach \pm Bend \pm Two Place Decimal \pm Three Place Decimal \pm	Name	Date	BootstrapCNC CNC Router 2015 12 Inch Dual Rail Spacer				
	Drawn						
	Checked						
	ENG Appr.						
	MFR Appr.						
	QA						
Material	--	Comments	Size	Drawing No.	Rev		
Finish	--	CAD Generated Drawing Do Not Manually Update	A	DSR12	A		
Do Not Scale Drawing			Scale	1:1	CAD File	Sheet	1 of 1

Revisions			Date	Approved
Zone	Rev	Description		

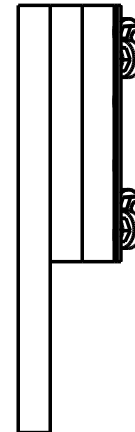
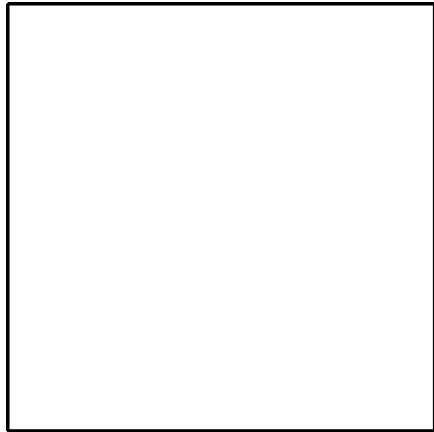
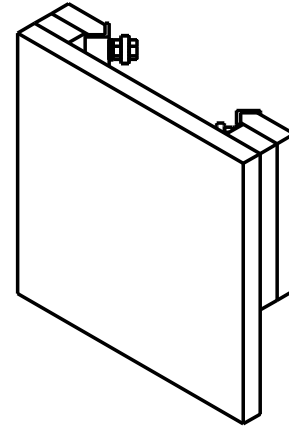
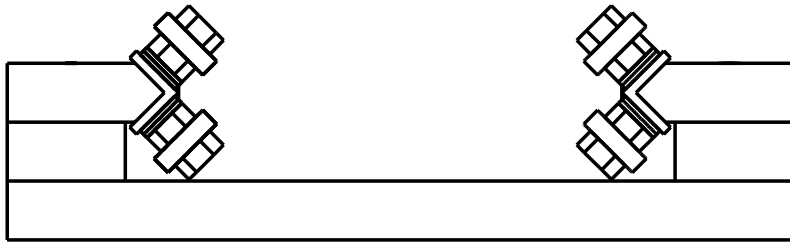


A - Holes created during assembly process.



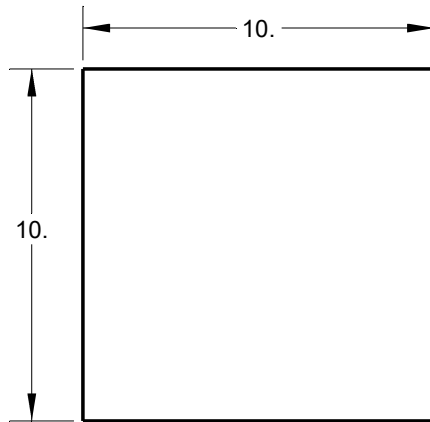
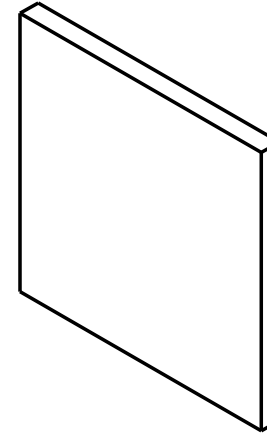
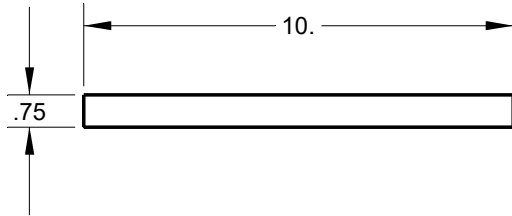
Unless Otherwise Specified: Dimensions in Inches Tolerances: Fractional ± Angular: Mach ± Bend ± Two Place Decimal ± Three Place Decimal ±	Drawn	Name	Date	BootstrapCNC CNC Router 2015 12 Inch Extended Carriage Plate		
	Checked					
	ENG Appr.					
	MFR Appr.					
	QA					
Material --	Comments CAD Generated Drawing Do Not Manually Update			Size	Drawing No.	Rev
Finish --				A	ECP12	A
Do Not Scale Drawing				Scale 1:1	CAD File	Sheet 1 of 1

Revisions			Date	Approved
Zone	Rev	Description		



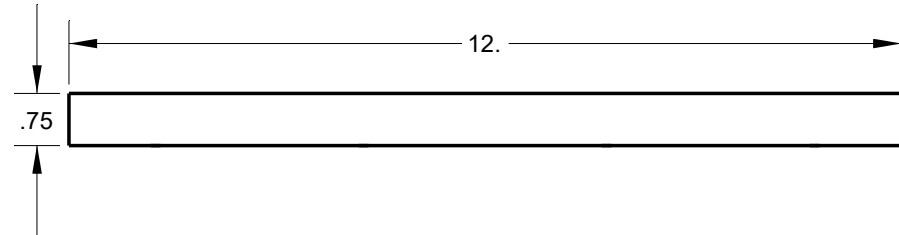
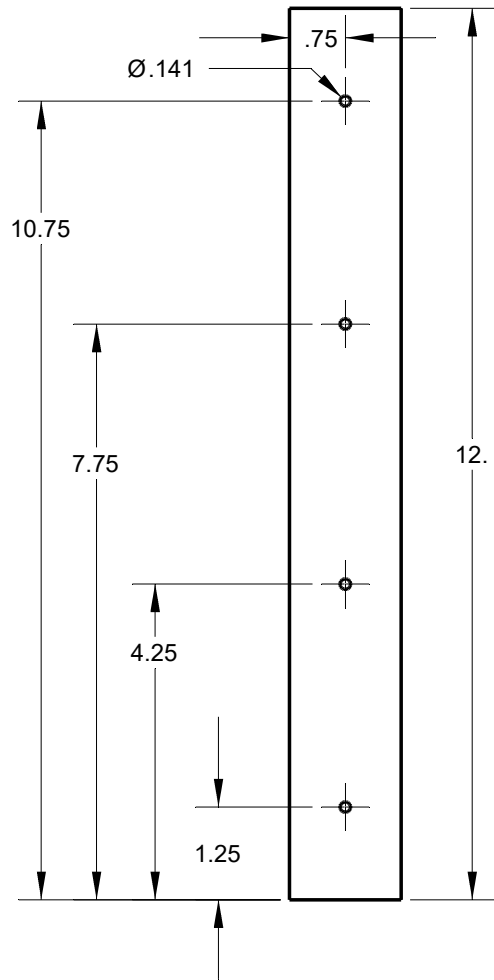
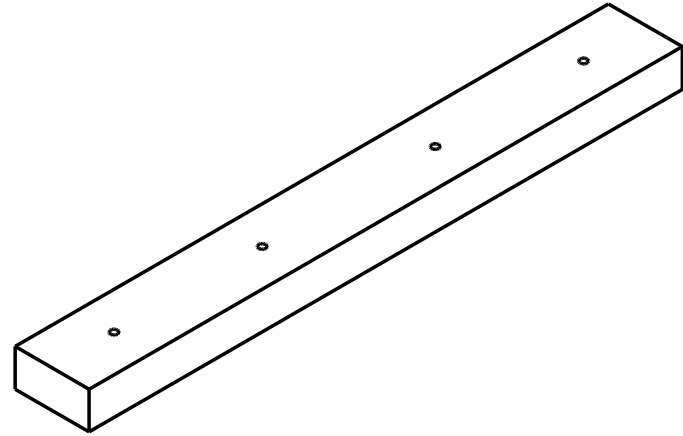
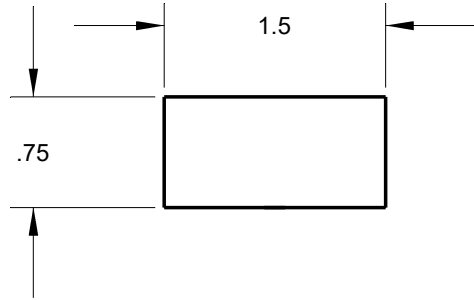
Unless Otherwise Specified: Dimensions in Inches Tolerances: Fractional ± Angular: Mach ± Bend ± Two Place Decimal ± Three Place Decimal ±	Drawn	Name	Date	BootstrapCNC CNC Router 2015 Z Carriage Assembly				
	Checked							
	ENG Appr.							
	MFR Appr.							
	QA							
	Comments	CAD Generated Drawing Do Not Manually Update			Size	Drawing No.	Rev	
Material --				A	ZCA	A		
Finish --				Scale	1:1	CAD File	Sheet	1 of 1
Do Not Scale Drawing								

Revisions			Date	Approved
Zone	Rev	Description		



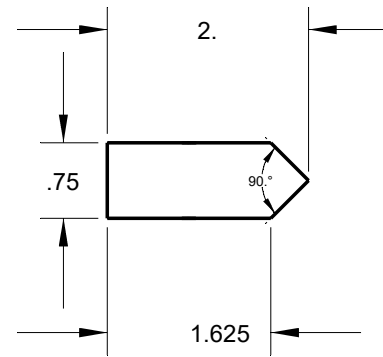
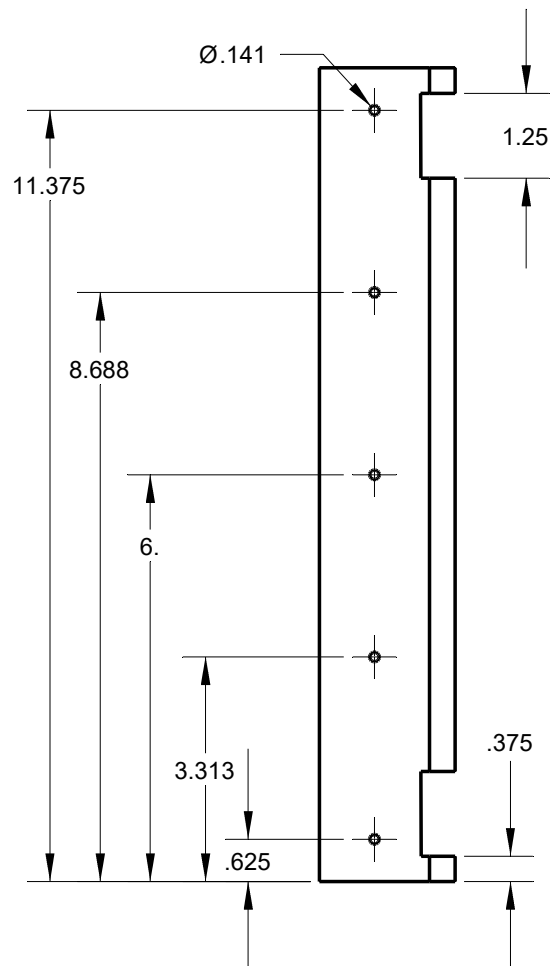
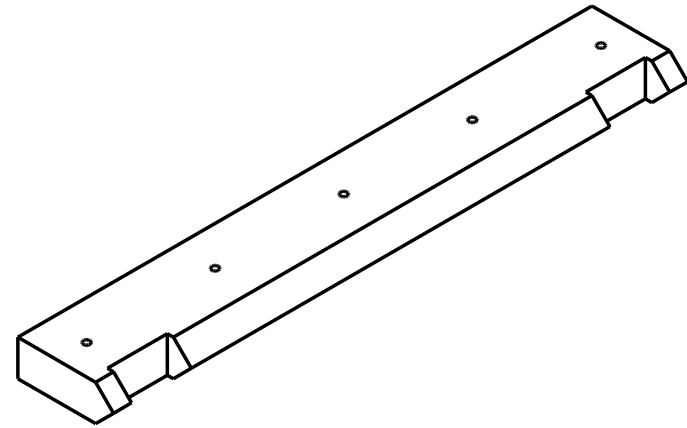
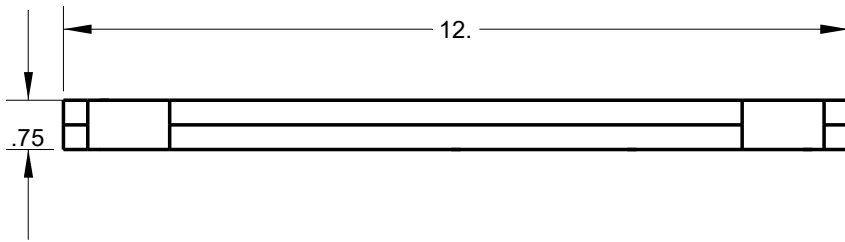
Unless Otherwise Specified: Dimensions in Inches Tolerances: Fractional ± Angular: Mach ± Bend ± Two Place Decimal ± Three Place Decimal ±	Drawn	Name	Date	BootstrapCNC CNC Router 2015 10 Inch Carriage Plate			
	Checked						
	ENG Appr.						
	MFR Appr.						
	QA						
Material	Comments CAD Generated Drawing Do Not Manually Update			Size	Drawing No.	Rev	
Finish				A	CP10	A	
Do Not Scale Drawing				Scale	1:1	CAD File	Sheet 1 of 1

Revisions			Date	Approved
Zone	Rev	Description		



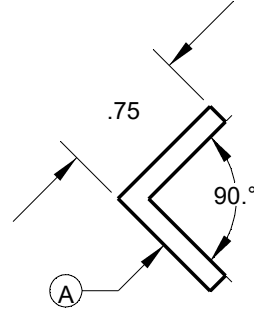
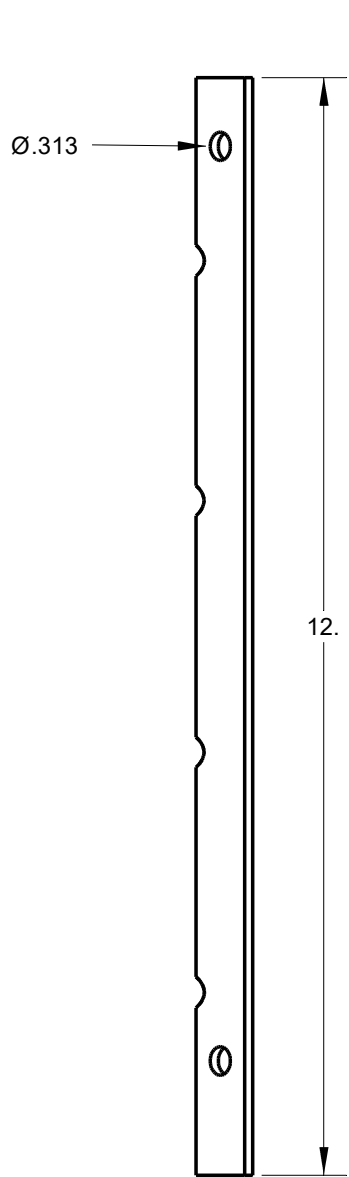
Unless Otherwise Specified:		Name	Date	BootstrapCNC CNC Router 2015 12 Inch Bearing Spacer		
Dimensions in Inches		Drawn				
Tolerances: Fractional ±		Checked				
Angular: Mach ± Bend ±		ENG Appr.				
Two Place Decimal ±		MFR Appr.				
Three Place Decimal ±		QA		Comments CAD Generated Drawing Do Not Manually Update		
Material	--	Size		Drawing No.		Rev
Finish	--	A		BS12		A
Do Not Scale Drawing		Scale		1:1		CAD File
		Sheet		1 of 1		

Revisions			Date	Approved
Zone	Rev	Description		

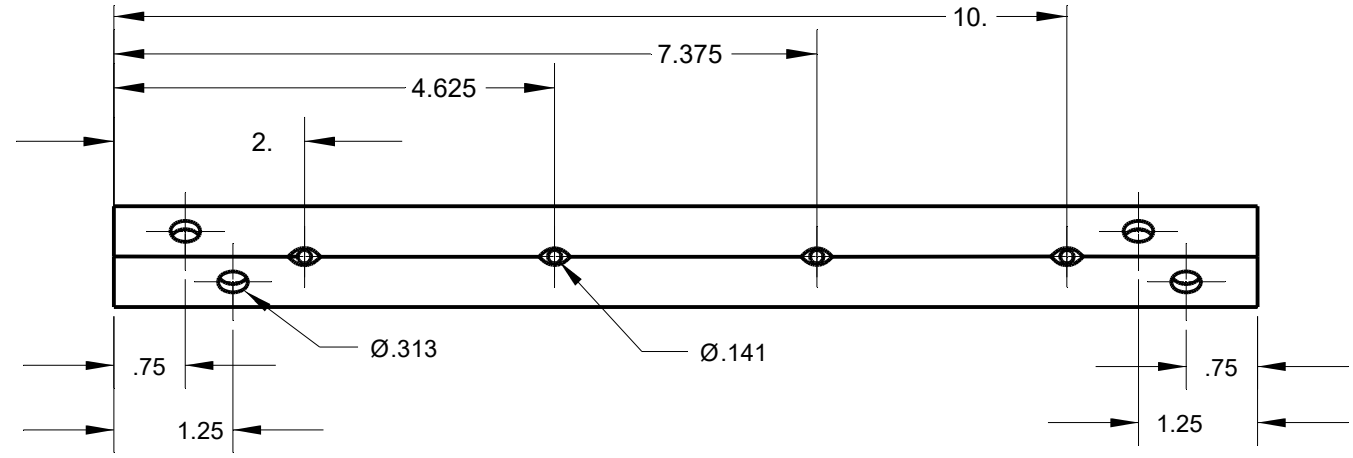
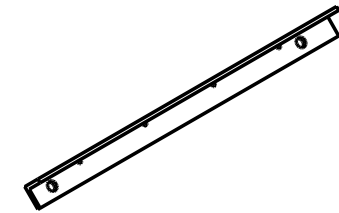


Unless Otherwise Specified:		Name	Date	BootstrapCNC		
Dimensions in Inches		Drawn				
Tolerances: Fractional ±		Checked		12 Inch Bearing Carrier		
Angular: Mach ± Bend ±		ENG Appr.				
Two Place Decimal ±		MFR Appr.		Scale 1:1 CAD File Sheet 1 of 1		
Three Place Decimal ±		QA				
Material	--					
Finish	--					
Do Not Scale Drawing						

Revisions			Date	Approved
Zone	Rev	Description		

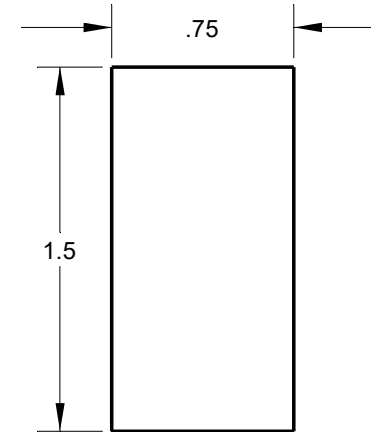
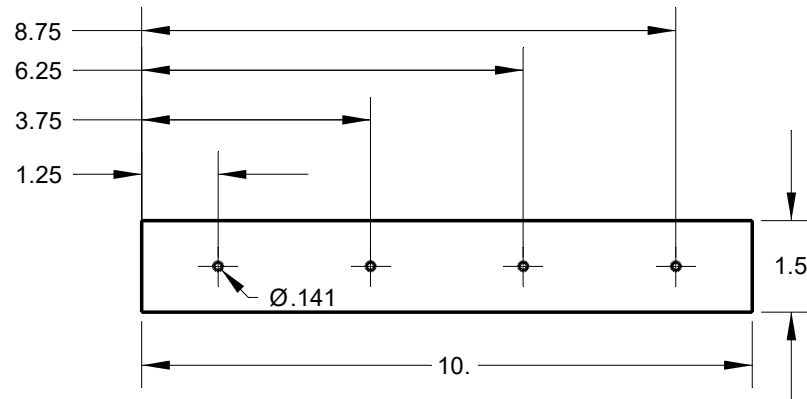
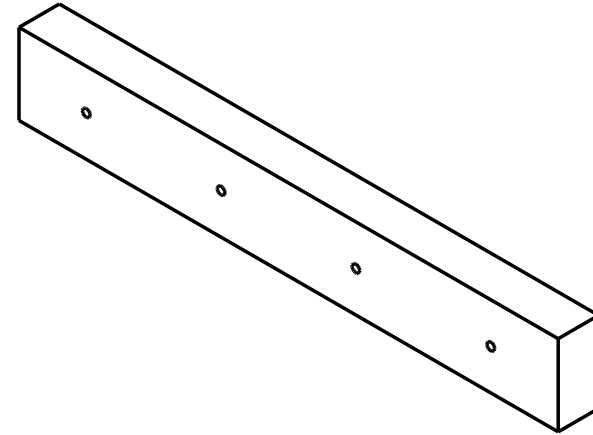
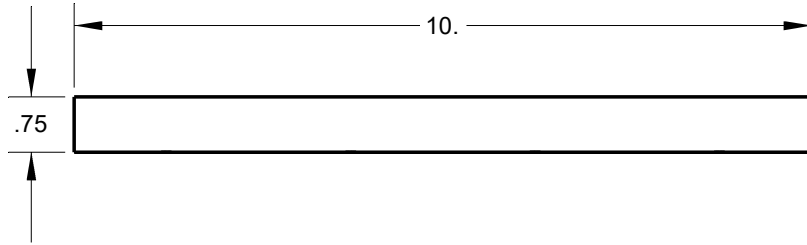


A - Bolt holes centered in angle (.375)



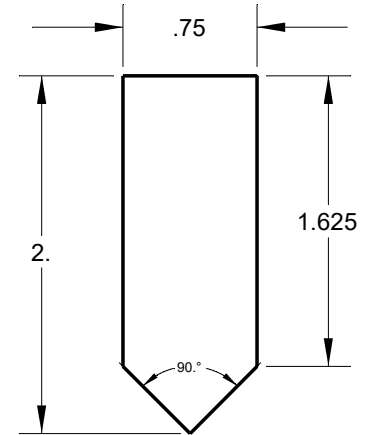
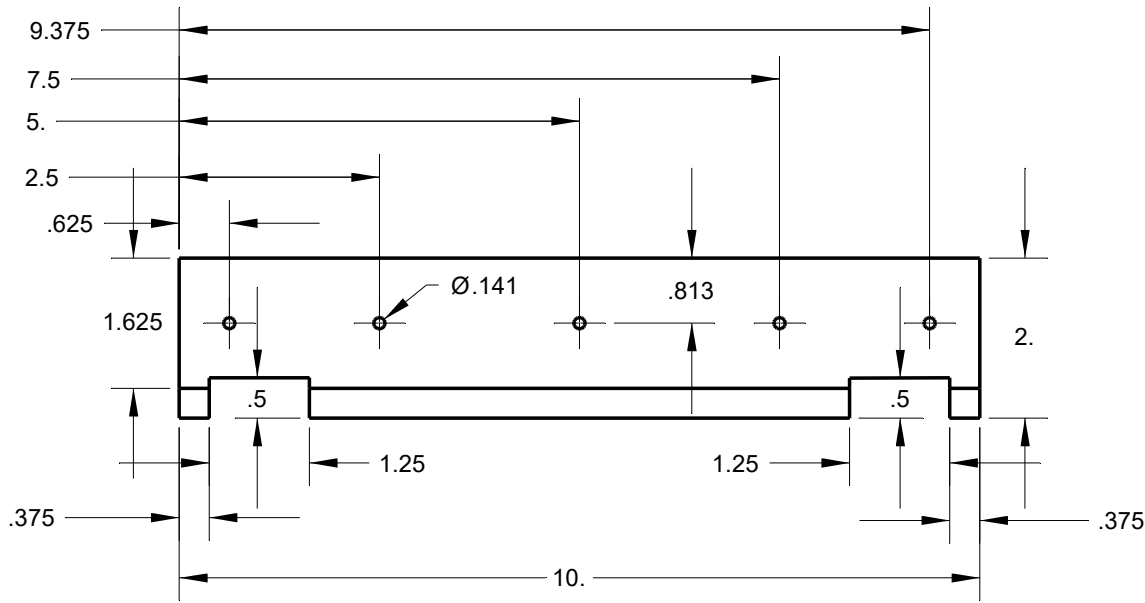
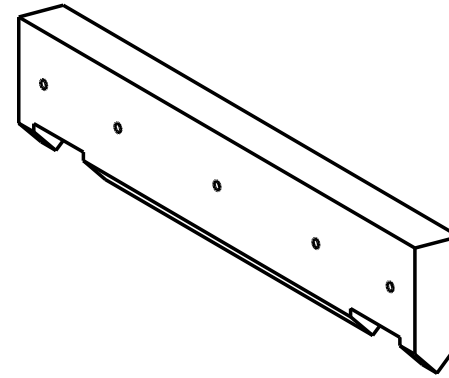
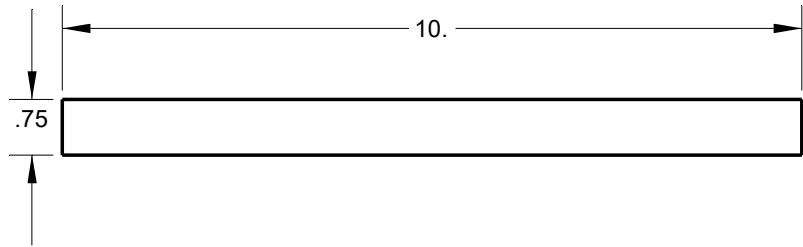
Unless Otherwise Specified: Dimensions in Inches Tolerances: Fractional ± Angular: Mach ± Bend ± Two Place Decimal ± Three Place Decimal ±	Name		Date		BootstrapCNC CNC Router 2015 12 Inch Bearing Angle					
	Drawn									
	Checked									
	ENG Appr.									
	MFR Appr.									
QA				Comments		Size	Drawing No.	Rev		
Material		CAD Generated Drawing Do Not Manually Update				A	BA12	A		
Finish						Scale	1:1	CAD File	Sheet	1 of 1
Do Not Scale Drawing										

Revisions			Date	Approved
Zone	Rev	Description		



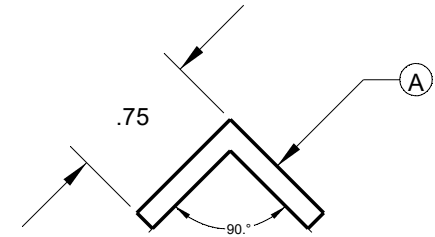
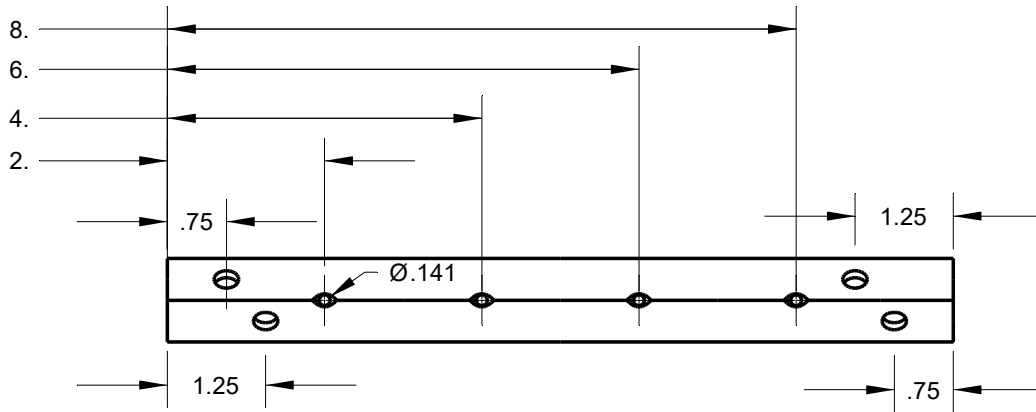
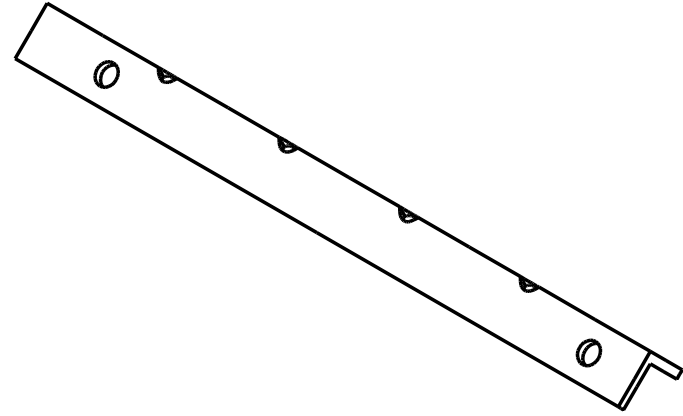
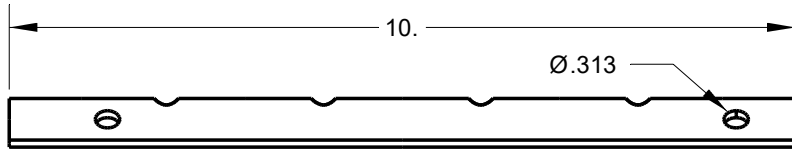
Unless Otherwise Specified: Dimensions in Inches Tolerances: Fractional \pm Angular: Mach \pm Bend \pm Two Place Decimal \pm Three Place Decimal \pm	Name		Date		BootstrapCNC CNC Router 2015 Y Bearing Spacer		
	Drawn						
	Checked						
	ENG Appr.						
	MFR Appr.						
Material	--		Comments		Size	Drawing No.	
Finish	--		CAD Generated Drawing Do Not Manually Update		A	BS10	
Do Not Scale Drawing					QA	Rev	
						A	
					Scale	CAD File	Sheet
					1:1		1 of 1

Revisions			Date	Approved
Zone	Rev	Description		



Unless Otherwise Specified:		Name		Date		BootstrapCNC		
Dimensions in Inches		Drawn		Checked				
Tolerances: Fractional ±		Checked		ENG Appr.		10 Inch Bearing Carrier		
Angular: Mach ± Bend ±		MFR Appr.		QA				
Two Place Decimal ±		Comments		CAD Generated Drawing Do Not Manually Update		Scale 1:1 CAD File Sheet 1 of 1		
Three Place Decimal ±		Material --		Finish --				

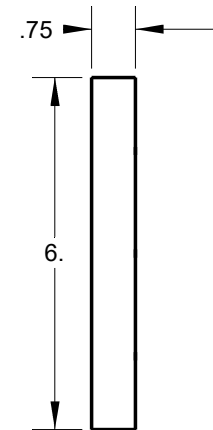
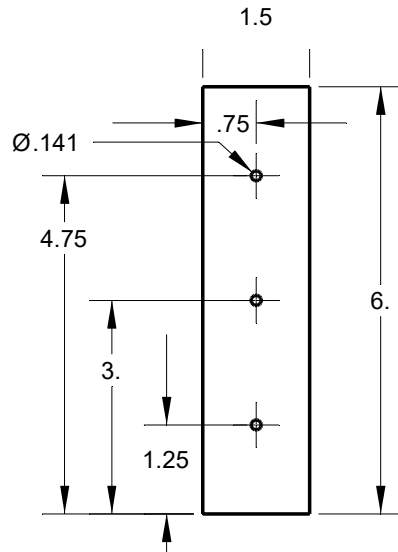
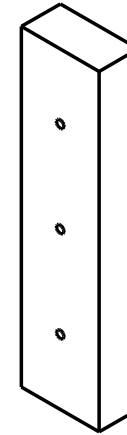
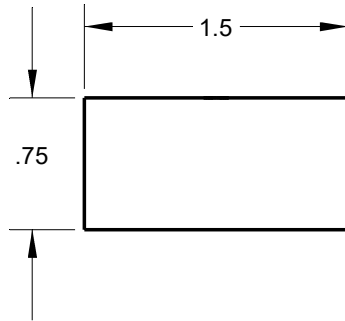
Revisions			Date	Approved
Zone	Rev	Description		



A - Bolt holes centered in angle (.375)

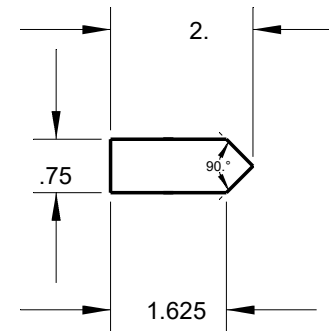
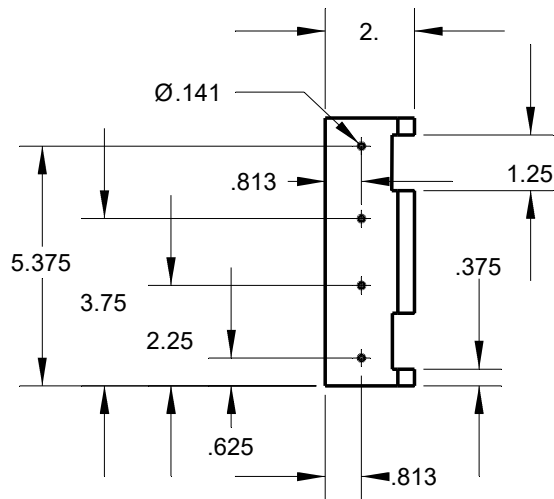
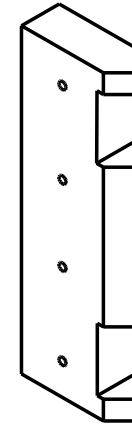
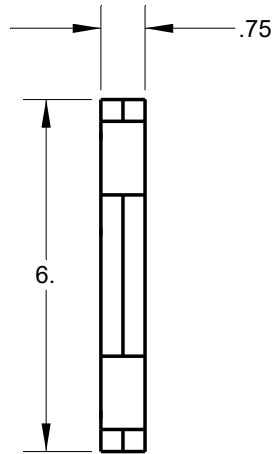
Unless Otherwise Specified: Dimensions in Inches Tolerances: Fractional ± Angular: Mach ± Bend ± Two Place Decimal ± Three Place Decimal ±	Drawn	Name	Date	BootstrapCNC CNC Router 2015 10 Inch Bearing Angle		
	Checked					
	ENG Appr.					
	MFR Appr.					
	QA					
Material --	Comments CAD Generated Drawing Do Not Manually Update			Size	Drawing No.	Rev
Finish --				A	BA10	A
Do Not Scale Drawing				Scale	1:1	CAD File

Revisions			Date	Approved
Zone	Rev	Description		



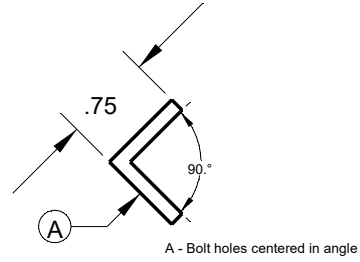
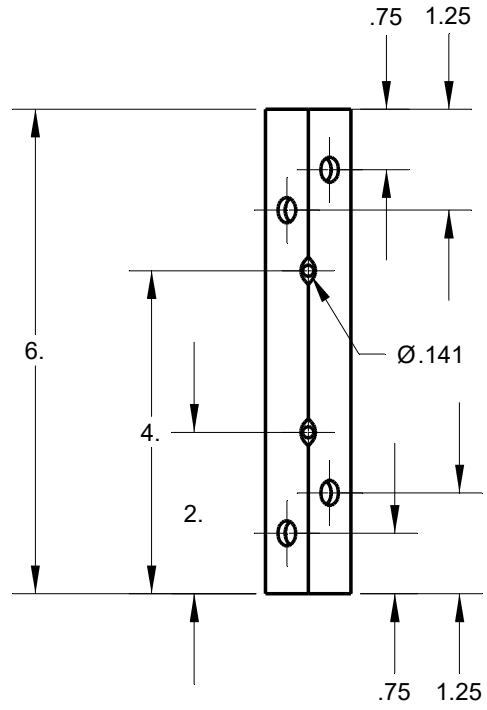
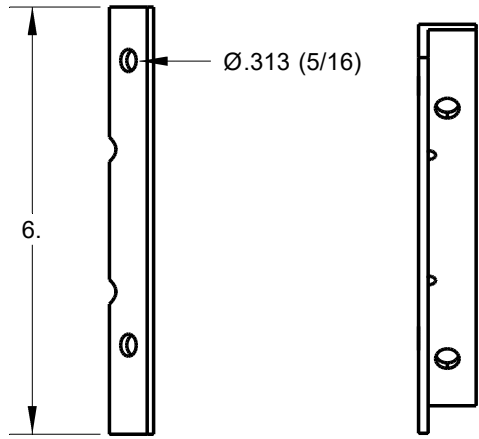
Unless Otherwise Specified: Dimensions in Inches Tolerances: Fractional ± Angular: Mach ± Bend ± Two Place Decimal ± Three Place Decimal ±	Drawn	Name	Date	BootstrapCNC CNC Router 2015 6 Inch Bearing Spacer				
	Checked							
	ENG Appr.							
	MFR Appr.							
	QA							
	Comments	CAD Generated Drawing Do Not Manually Update			Size	Drawing No.	Rev	
Material --				A	BS6	A		
Finish --				Scale	1:1	CAD File	Sheet	1 of 1
Do Not Scale Drawing								

Revisions			Date	Approved
Zone	Rev	Description		



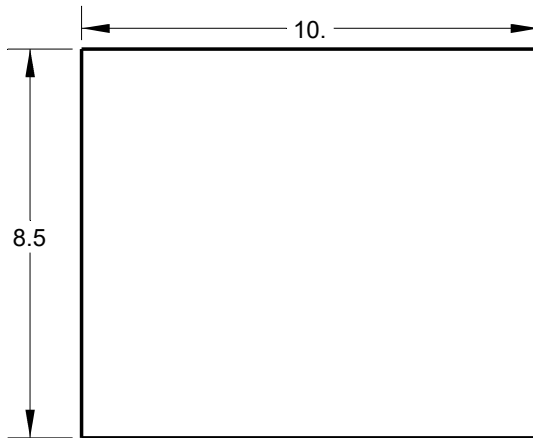
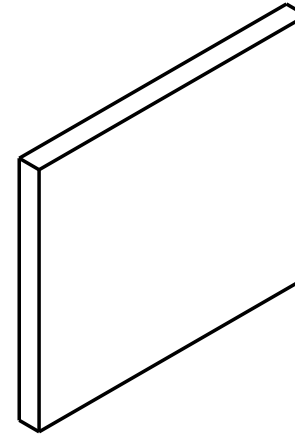
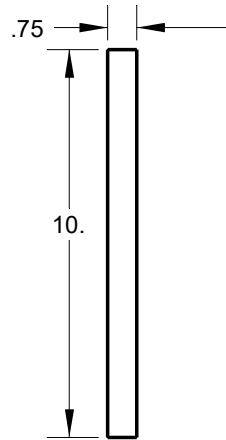
Unless Otherwise Specified:		Name		Date		BootstrapCNC CNC Router 2015 6 Inch Bearing Block		
Dimensions in Inches		Drawn						
Tolerances: Fractional ±		Checked						
Angular: Mach ± Bend ±		ENG Appr.						
Two Place Decimal ±		MFR Appr.						
Three Place Decimal ±		QA				Size A Drawing No. BC6 Rev A		
Material --		Comments				Scale 1:1 CAD File Sheet 1 of 1		
Finish --		CAD Generated Drawing Do Not Manually Update						
Do Not Scale Drawing								

Revisions			Date	Approved
Zone	Rev	Description		



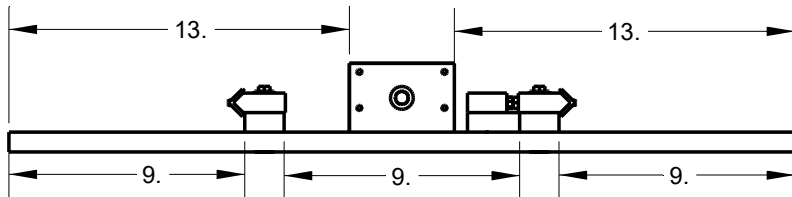
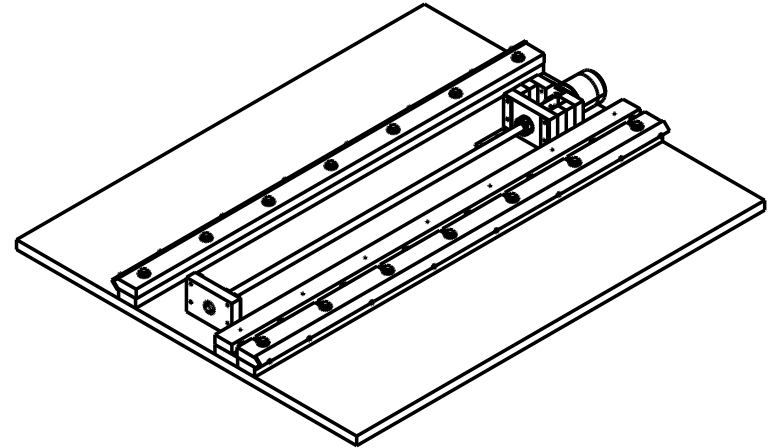
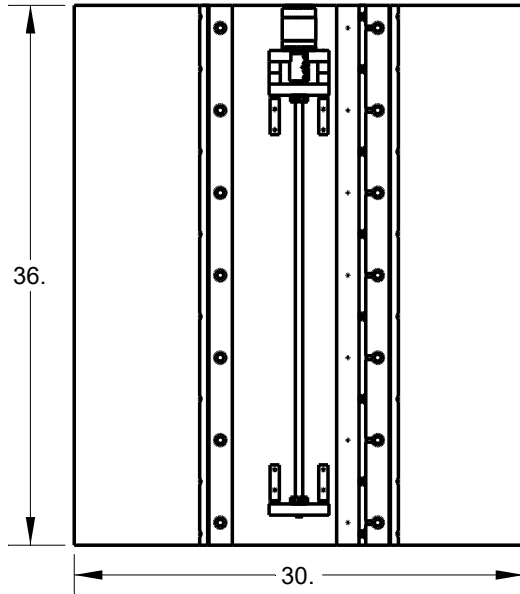
Unless Otherwise Specified: Dimensions in Inches Tolerances: Fractional ± Angular: Mach ± Bend ± Two Place Decimal ± Three Place Decimal ±	Drawn	Name	Date	BootstrapCNC CNC Router 2015 6 Inch Bearing Angle				
	Checked							
	ENG Appr.							
	MFR Appr.							
	QA							
Material	Comments			Size	Drawing No.	Rev		
Finish	CAD Generated Drawing Do Not Manually Update			A	BA6	A		
Do Not Scale Drawing				Scale	1:1	CAD File	Sheet	1 of 1

Revisions			Date	Approved
Zone	Rev	Description		



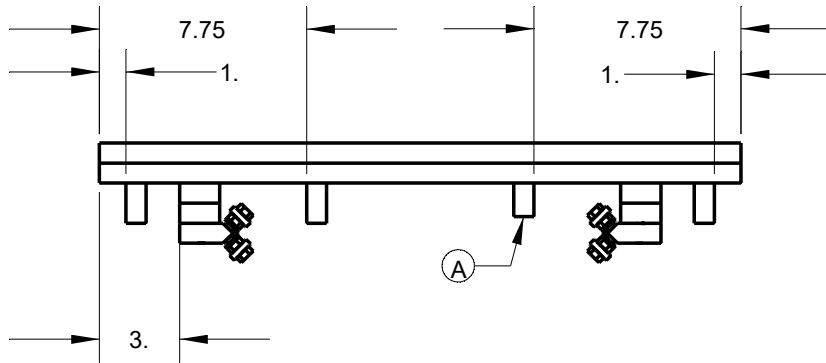
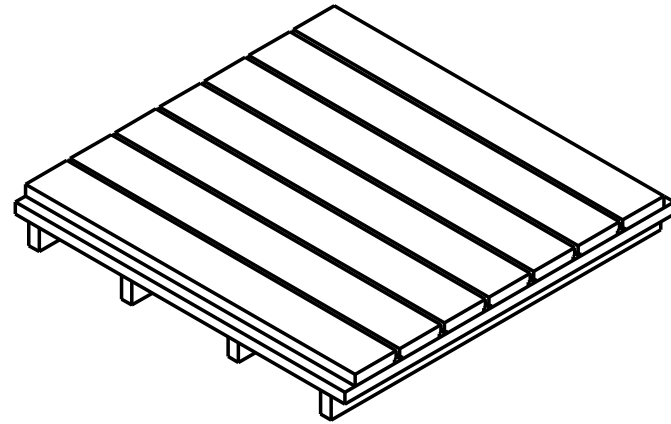
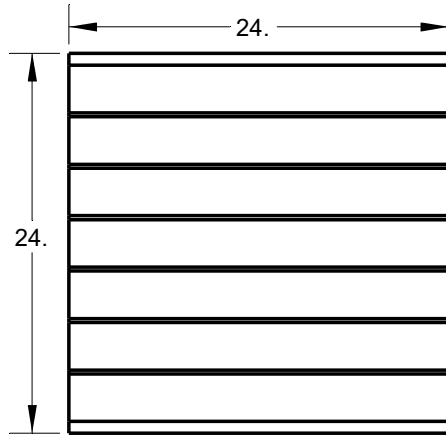
Unless Otherwise Specified: Dimensions in Inches Tolerances: Fractional ± Angular: Mach ± Bend ± Two Place Decimal ± Three Place Decimal ±	Drawn	Name	Date	BootstrapCNC CNC Router 2015 Moving Table - Gantry Legs
	Checked			
	ENG Appr.			
	MFR Appr.			
	QA			
Material --	Comments			Size A
Finish --	CAD Generated Drawing Do Not Manually Update			Drawing No. MTGL
Do Not Scale Drawing				Rev A
		Scale 1:1	CAD File	Sheet 1 of 1

Revisions			Date	Approved
Zone	Rev	Description		

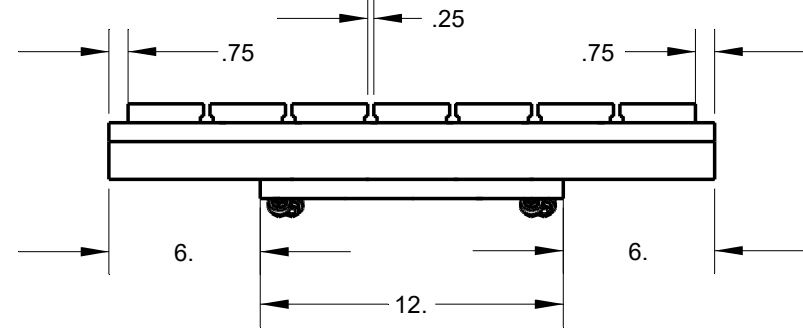


Unless Otherwise Specified: Dimensions in Inches Tolerances: Fractional ± Angular: Mach ± Bend ± Two Place Decimal ± Three Place Decimal ±		Name	Date	BootstrapCNC CNC Router 2015 Moving Table - Base				
	Drawn							
	Checked							
	ENG Appr.							
	MFR Appr.							
Material		Comments		Size	Drawing No.	Rev		
Finish		CAD Generated Drawing Do Not Manually Update		A	MTBA	A		
Do Not Scale Drawing				Scale	1:1	CAD File	Sheet	1 of 1

Revisions			Date	Approved
Zone	Rev	Description		



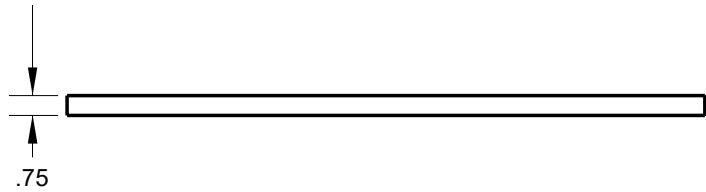
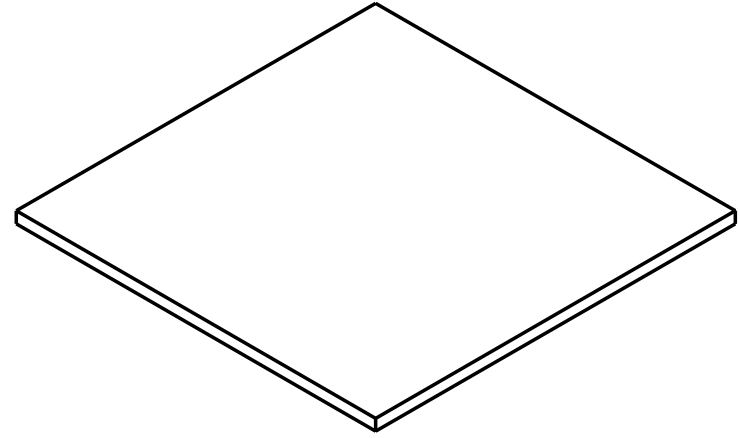
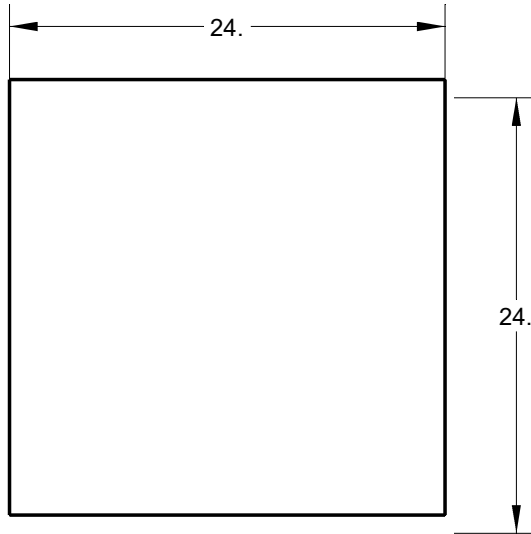
A - Support reduced by .25 for clearance



Unless Otherwise Specified: Dimensions in Inches Tolerances: Fractional ± Angular: Mach ± Bend ± Two Place Decimal ± Three Place Decimal ±	Drawn	Name	Date	BootstrapCNC CNC Router 2015 Moving Table Assembled			
	Checked						
	ENG Appr.						
	MFR Appr.						
	QA						
Material	Comments			Size	Drawing No.	Rev	
Finish	CAD Generated Drawing Do Not Manually Update			A	MTA	A	
Do Not Scale Drawing				Scale	1:1	CAD File	Sheet 1 of 1

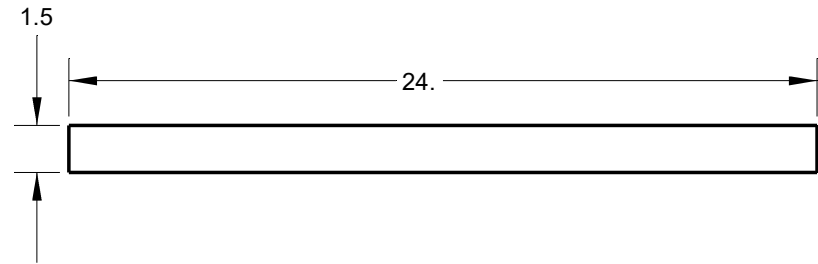
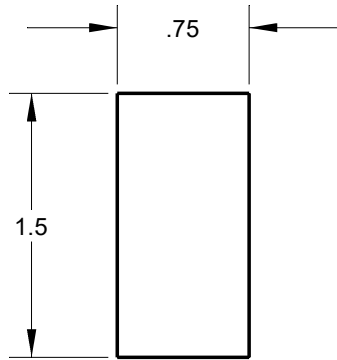
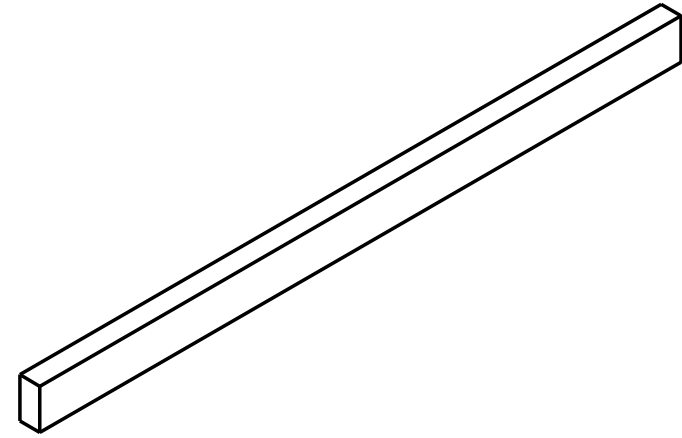
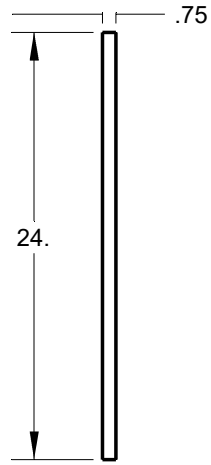
Revisions			Date	Approved
Zone	Rev	Description		

+



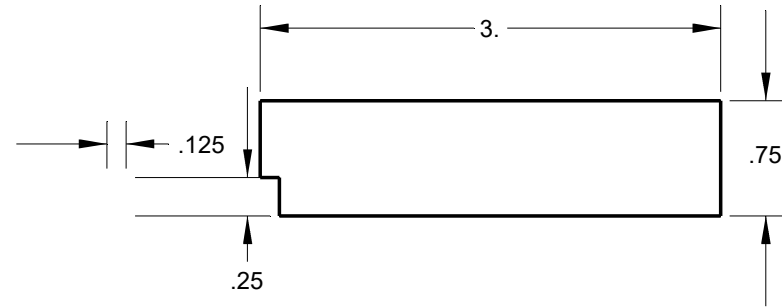
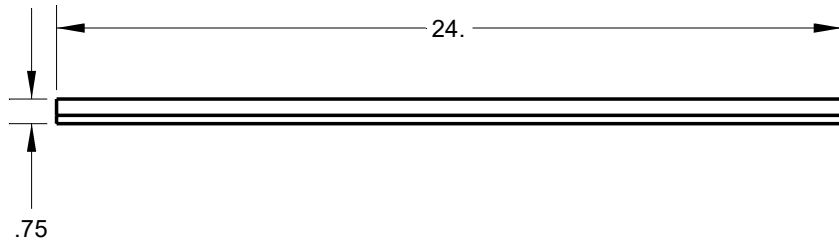
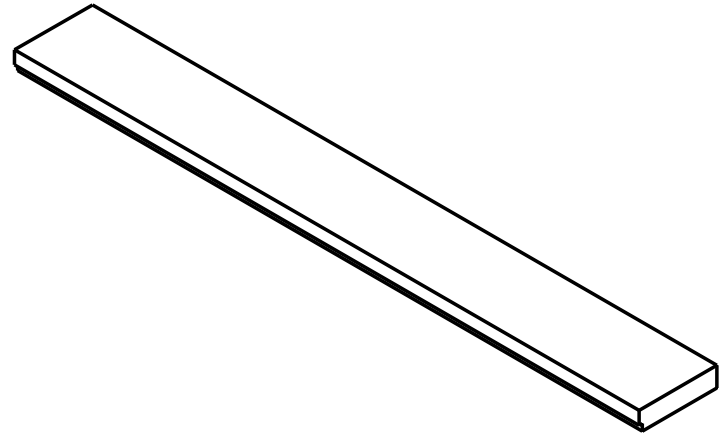
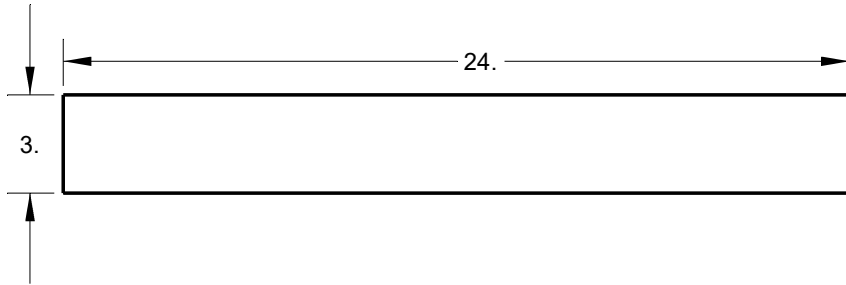
Unless Otherwise Specified: Dimensions in Inches Tolerances: Fractional ± Angular: Mach ± Bend ± Two Place Decimal ± Three Place Decimal ±	Drawn	Name	Date	BootstrapCNC CNC Router 2015 Moving Table	
	Checked				
	ENG Appr.				
	MFR Appr.				
	QA				
Material	Comments		Size	Drawing No.	Rev
Finish	CAD Generated Drawing Do Not Manually Update		A	MT24	A
Do Not Scale Drawing			Scale	CAD File	Sheet
			1:1		1 of 1

Revisions			Date	Approved
Zone	Rev	Description		



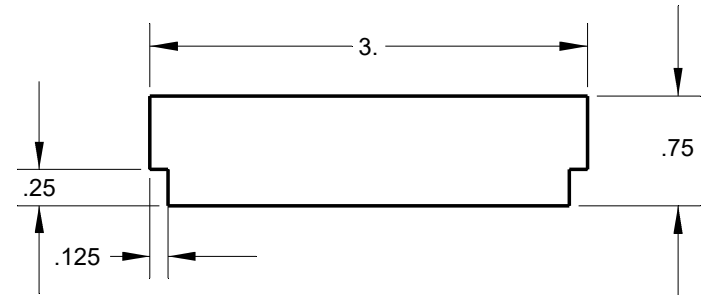
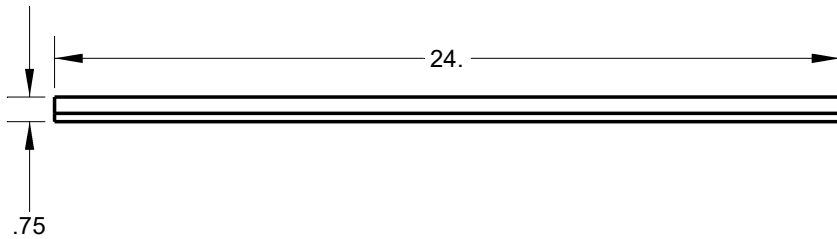
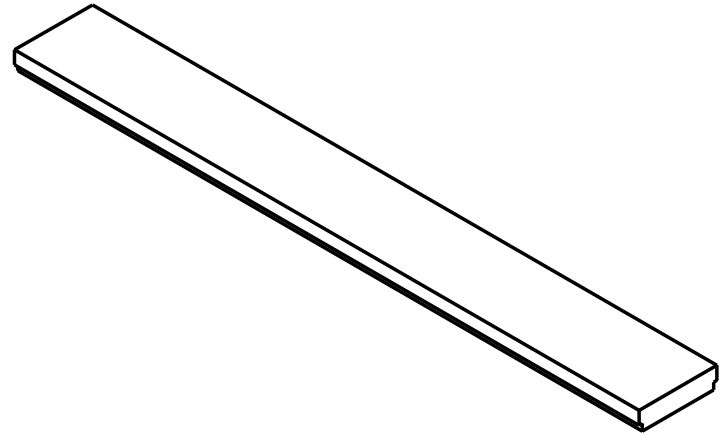
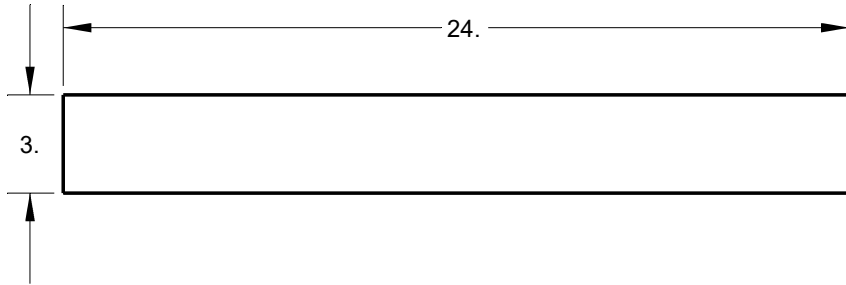
Unless Otherwise Specified: Dimensions in Inches Tolerances: Fractional ± Angular: Mach ± Bend ± Two Place Decimal ± Three Place Decimal ±		Name	Date	BootstrapCNC CNC Router 2015 Moving Table Support		
	Drawn					
	Checked					
	ENG Appr.					
	MFR Appr.					
Material	--	Comments CAD Generated Drawing Do Not Manually Update		Size	Drawing No.	Rev
Finish	--			A	MTS	A
Do Not Scale Drawing				Scale	1:1	CAD File

Revisions			Date	Approved
Zone	Rev	Description		



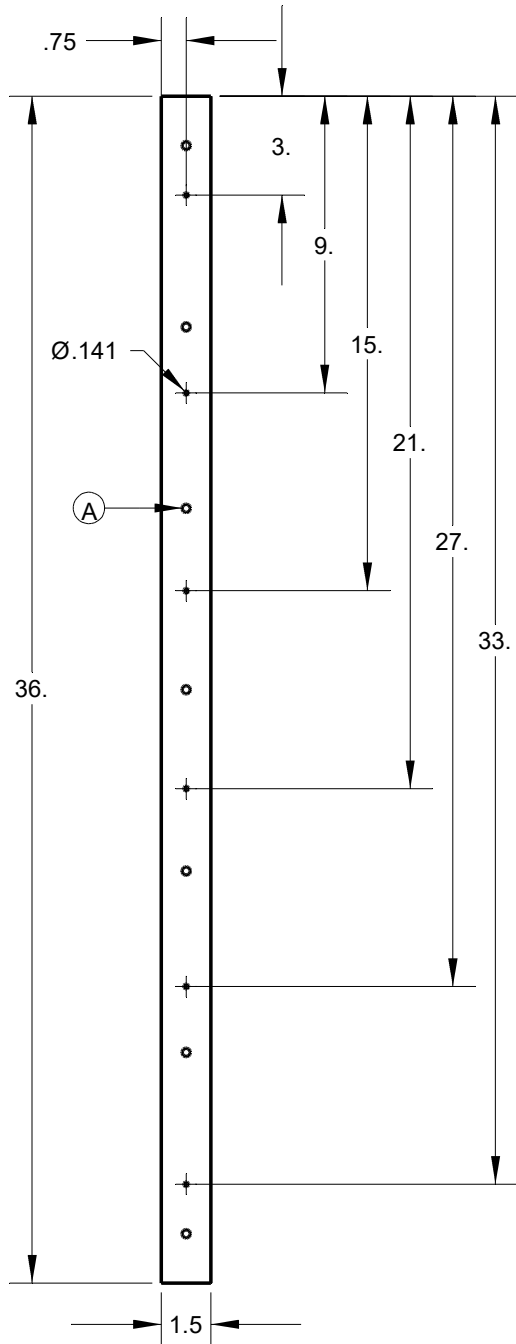
Unless Otherwise Specified: Dimensions in Inches Tolerances: Fractional ± Angular: Mach ± Bend ± Two Place Decimal ± Three Place Decimal ±		Name	Date	BootstrapCNC CNC Router 2015 24 Inch Table Slat (End)
	Drawn			
	Checked			
	ENG Appr.			
	MFR Appr.			
	QA			
	Comments CAD Generated Drawing Do Not Manually Update			
Material				Size A Drawing No. TSE24 Rev A
Finish				
Do Not Scale Drawing				Scale 1:1 CAD File Sheet 1 of 1

Revisions			Date	Approved
Zone	Rev	Description		

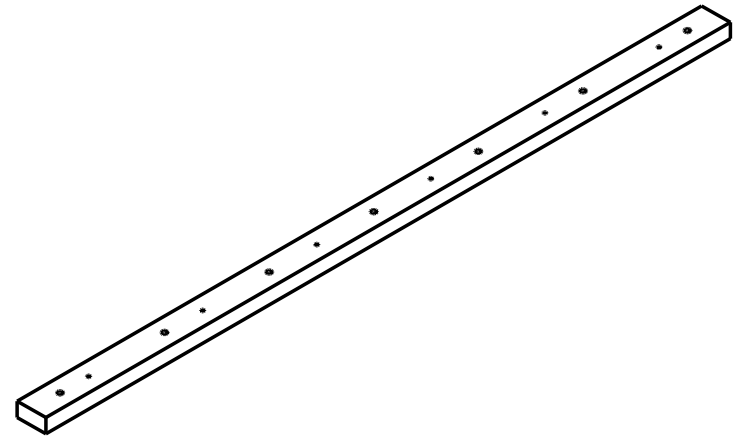
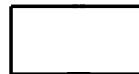


Unless Otherwise Specified: Dimensions in Inches Tolerances: Fractional ± Angular: Mach ± Bend ± Two Place Decimal ± Three Place Decimal ±	Name		Date		BootstrapCNC CNC Router 2015 24 Inch Table Slat (Inner)			
	Drawn							
	Checked							
	ENG Appr.							
	MFR Appr.							
	QA				Size	Drawing No.	Rev	
Material	Comments			A	TS24	A		
Finish	CAD Generated Drawing Do Not Manually Update			Scale	1:1	CAD File	Sheet	1 of 1
Do Not Scale Drawing								

Revisions			Date	Approved
Zone	Rev	Description		

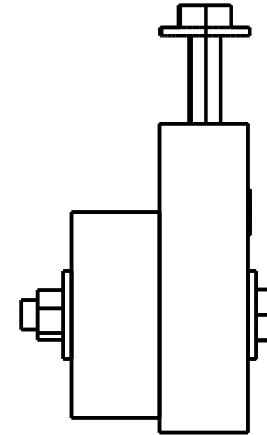
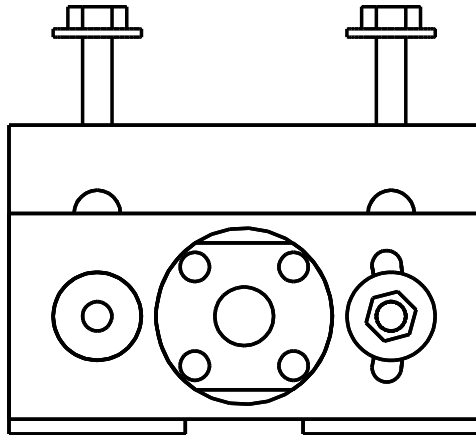
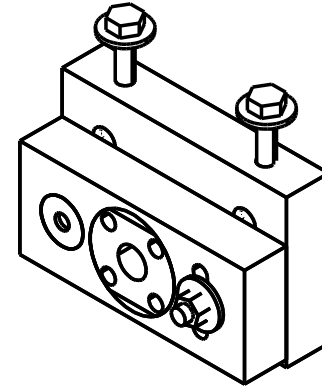
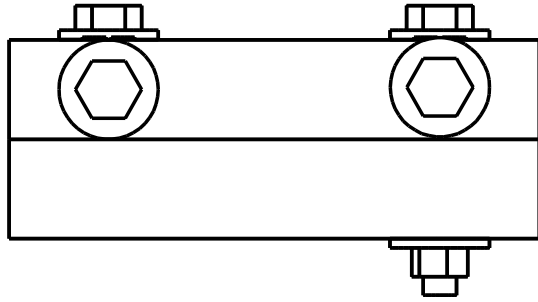


A - Holes created during assembly process



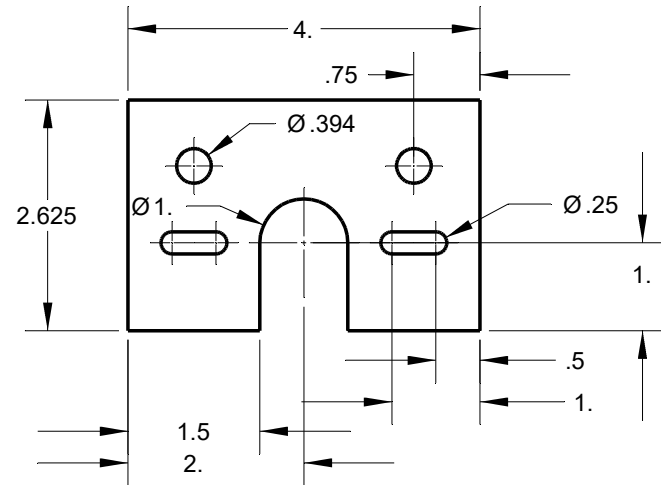
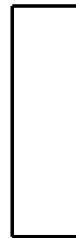
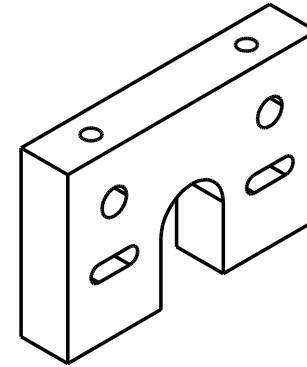
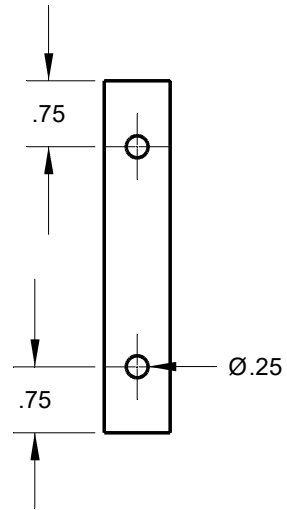
Unless Otherwise Specified: Dimensions in Inches Tolerances: Fractional ± Angular: Mach ± Bend ± Two Place Decimal ± Three Place Decimal ±		Name	Date	BootstrapCNC CNC Router 2015 36 Inch Rail Spacer		
Material	--	Drawn				
Finish	--	Checked				
Do Not Scale Drawing		ENG Appr.				
		MFR Appr.				
		QA		Size	Drawing No.	Rev
		Comments	CAD Generated Drawing Do Not Manually Update	A	RS36	A
		Scale	1:1	CAD File	Sheet	1 of 1

Revisions			Date	Approved
Zone	Rev	Description		



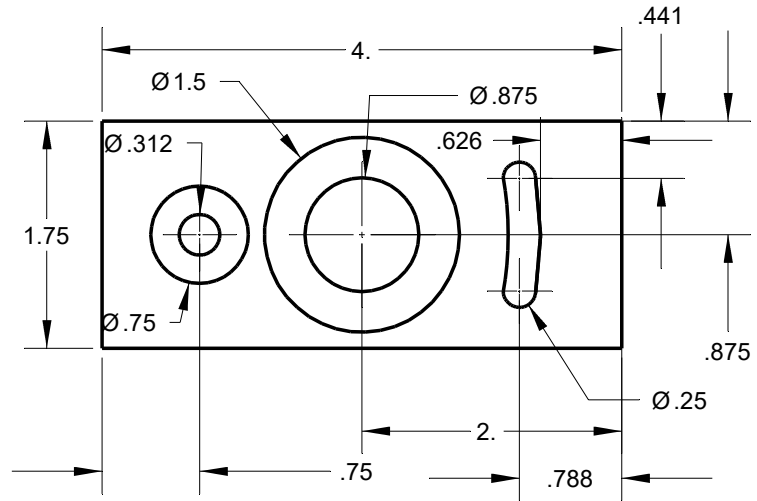
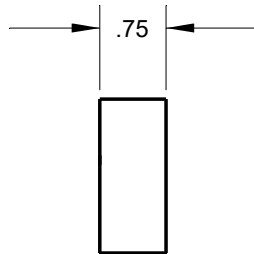
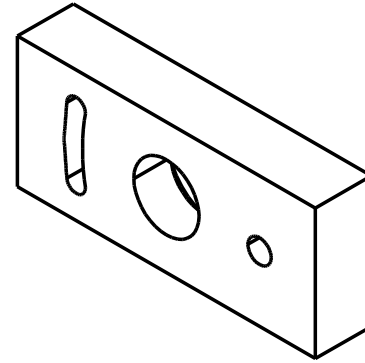
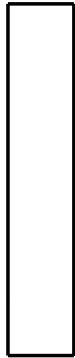
Unless Otherwise Specified: Dimensions in Inches Tolerances: Fractional ± Angular: Mach ± Bend ± Two Place Decimal ± Three Place Decimal ±	Drawn	Name	Date	BootstrapCNC CNC Router 2015 Leadnut Carrier Assembly				
	Checked							
	ENG Appr.							
	MFR Appr.							
	QA							
Material	Comments CAD Generated Drawing Do Not Manually Update			Size	Drawing No.	Rev		
Finish				A	LCA	A		
Do Not Scale Drawing				Scale	1:1	CAD File	Sheet	1 of 1

Revisions			Date	Approved
Zone	Rev	Description		



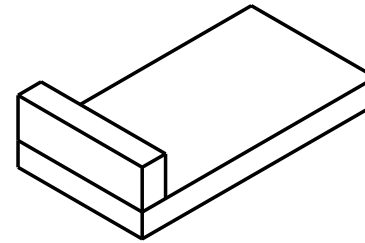
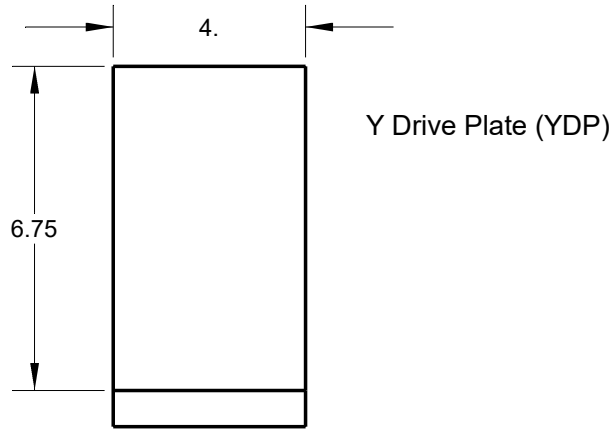
Unless Otherwise Specified: Dimensions in Inches Tolerances: Fractional ± Angular: Mach ± Bend ± Two Place Decimal ± Three Place Decimal ±	Name		Date		BootstrapCNC CNC Router 2015 Leadnut Block Mount			
	Drawn							
	Checked							
	ENG Appr.							
	MFR Appr.							
QA								
Material	Comments			Size	Drawing No.	Rev		
Finish	CAD Generated Drawing Do Not Manually Update			A	LBM	A		
Do Not Scale Drawing				Scale	1:1	CAD File	Sheet	1 of 1

Revisions			Date	Approved
Zone	Rev	Description		

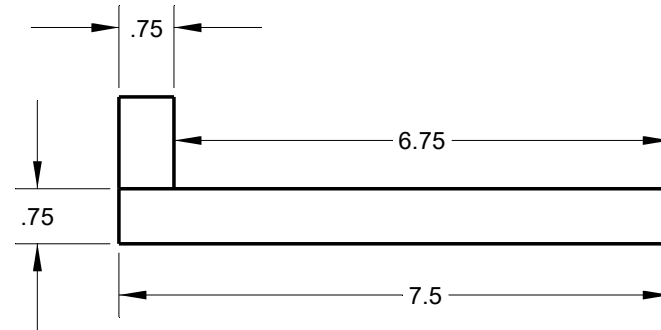
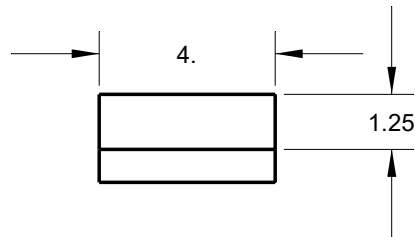


Unless Otherwise Specified: Dimensions in Inches Tolerances: Fractional ± Angular: Mach ± Bend ± Two Place Decimal ± Three Place Decimal ±	Name		Date		BootstrapCNC CNC Router 2015 Leadnut Block		
	Drawn						
	Checked				Size A Drawing No. LB Rev A		
	ENG Appr.						
	MFR Appr.						
QA				Scale 1:1 CAD File	Sheet 1 of 1		
Material -- Finish -- Do Not Scale Drawing	Comments CAD Generated Drawing Do Not Manually Update						

Revisions			Date	Approved
Zone	Rev	Description		

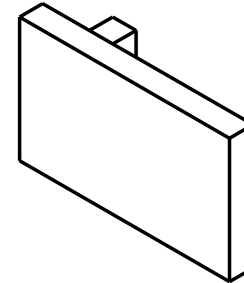
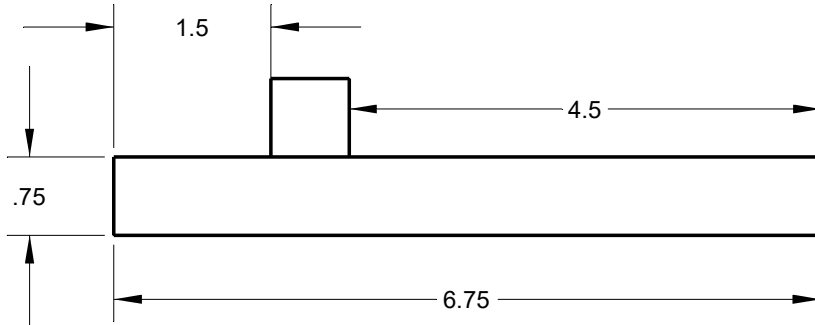


Y Drive Plate Brace (YDPB)

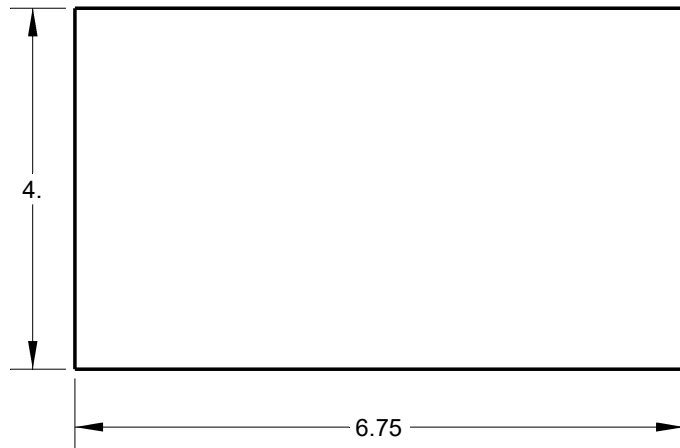


Unless Otherwise Specified: Dimensions in Inches Tolerances: Fractional ± Angular: Mach ± Bend ± Two Place Decimal ± Three Place Decimal ±	Drawn	Name	Date	BootstrapCNC CNC Router 2015 Y Drive Plate and Brace				
	Checked							
	ENG Appr.							
	MFR Appr.							
	QA							
Material	Comments CAD Generated Drawing Do Not Manually Update			Size	Drawing No.	Rev		
Finish				A	YDP / YDPB	A		
Do Not Scale Drawing				Scale	1:1	CAD File	Sheet	1 of 1

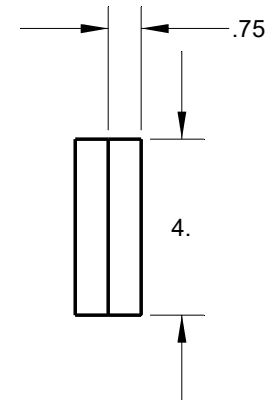
Revisions			Date	Approved
Zone	Rev	Description		



Z Drive Plate (ZDP)

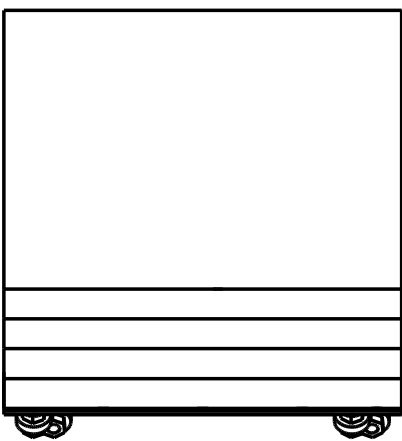
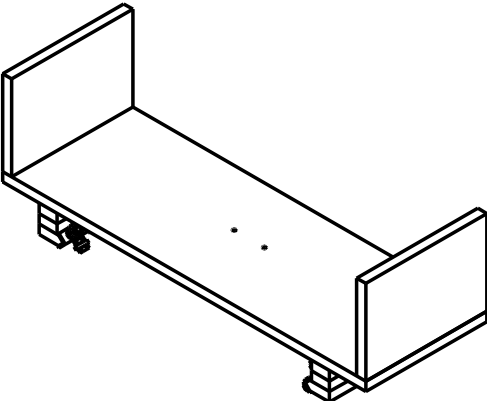
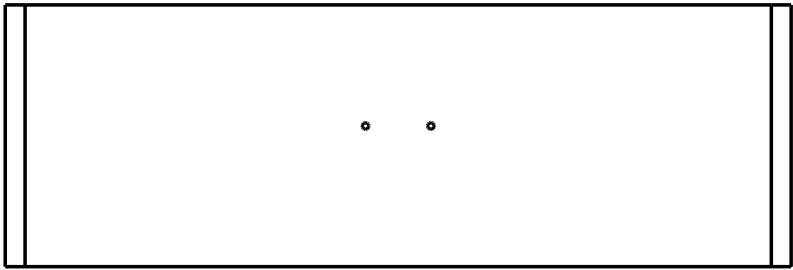


Z Drive Plate Brace (ZDPB)



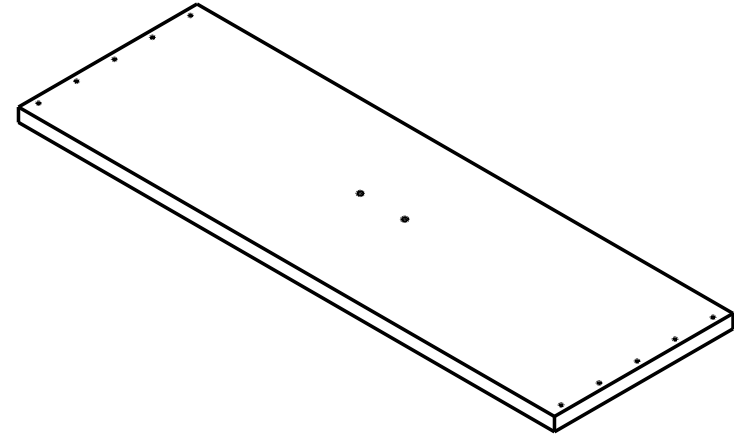
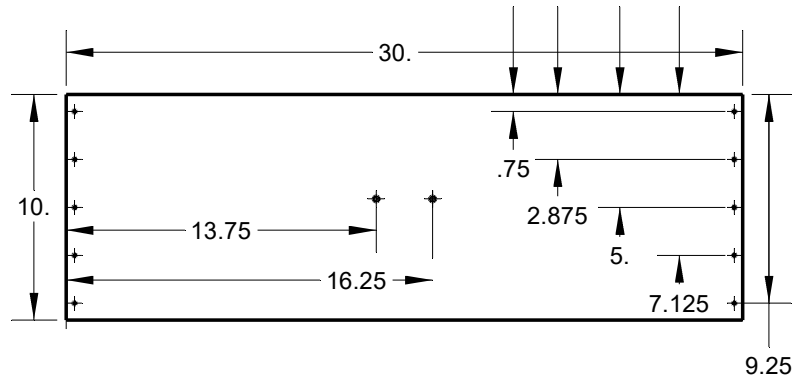
Unless Otherwise Specified: Dimensions in Inches Tolerances: Fractional ± Angular: Mach ± Bend ± Two Place Decimal ± Three Place Decimal ±		Name	Date	BootstrapCNC CNC Router 2015 Z Drive Plate and Brace		
	Drawn					
	Checked					
	ENG Appr.					
	MFR Appr.					
	QA					
Material		Comments CAD Generated Drawing Do Not Manually Update		Size	Drawing No.	Rev
Finish				A	ZDP / ZDPB	A
Do Not Scale Drawing				Scale	1:1	CAD File

Revisions			Date	Approved
Zone	Rev	Description		



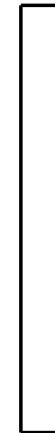
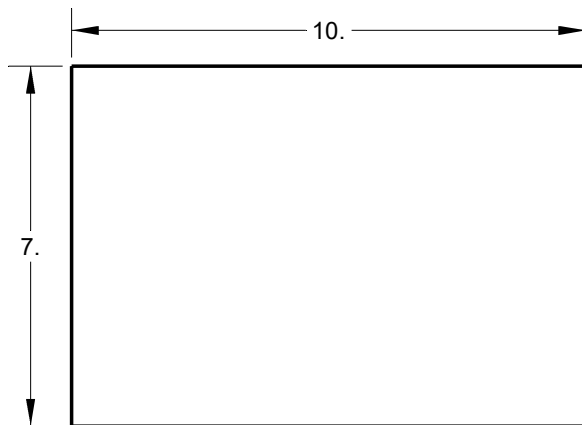
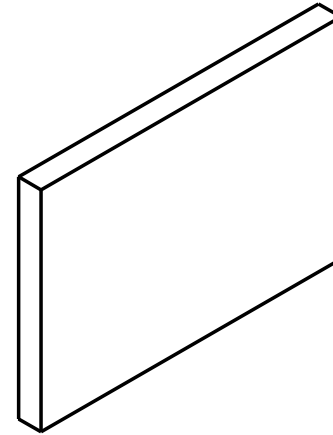
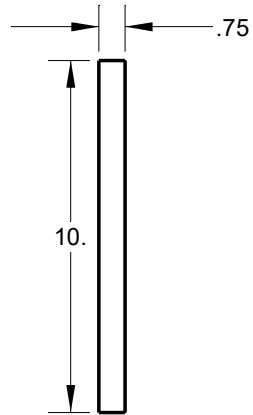
Unless Otherwise Specified: Dimensions in Inches Tolerances: Fractional ± Angular: Mach ± Bend ± Two Place Decimal ± Three Place Decimal ±	Drawn	Name	Date	BootstrapCNC CNC Router 2015 Flying Gantry Carriage Assembly			
	Checked						
	ENG Appr.						
	MFR Appr.						
	QA						
Material	--	Comments CAD Generated Drawing Do Not Manually Update		Size	Drawing No.	Rev	
Finish	--			A	FGCA	A	
Do Not Scale Drawing				Scale	1:1	CAD File	Sheet 1 of 1

Revisions			Date	Approved
Zone	Rev	Description		



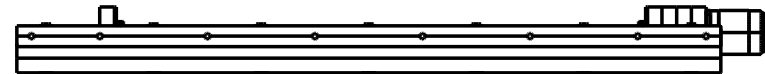
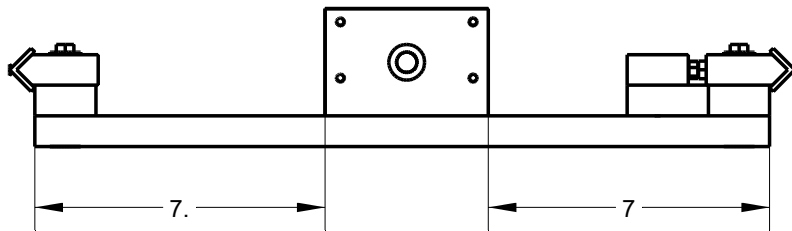
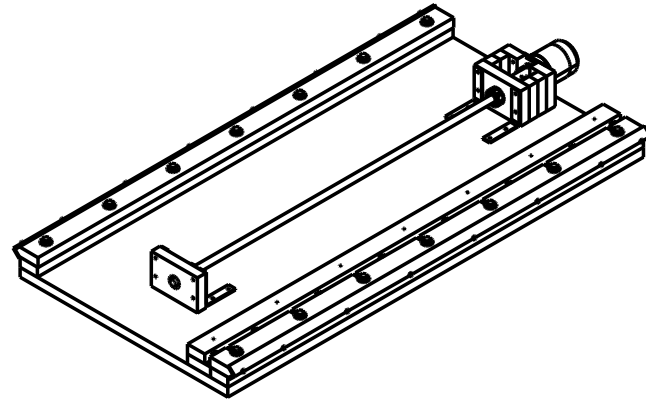
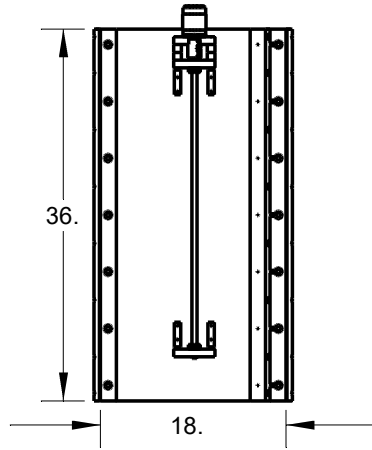
Unless Otherwise Specified: Dimensions in Inches Tolerances: Fractional ± Angular: Mach ± Bend ± Two Place Decimal ± Three Place Decimal ±	Drawn	Name	Date	BootstrapCNC CNC Router 2015 30 Inch Flying Gantry Carriage Plate				
	Checked							
	ENG Appr.							
	MFR Appr.							
	QA							
Material	Comments			Size	Drawing No.	Rev		
Finish	CAD Generated Drawing Do Not Manually Update			A	FGCP30	A		
Do Not Scale Drawing				Scale	1:1	CAD File	Sheet	1 of 1

Revisions			Date	Approved
Zone	Rev	Description		



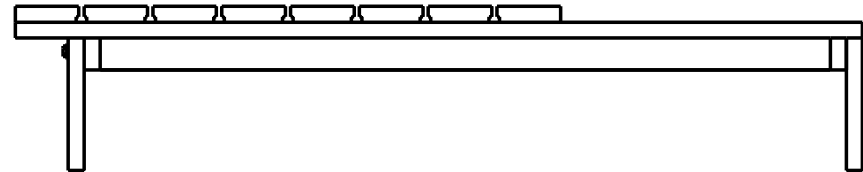
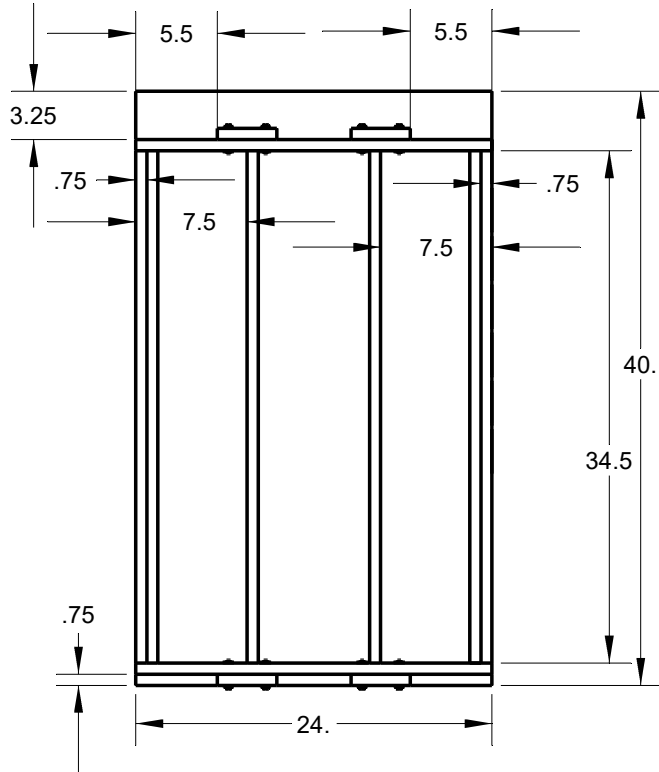
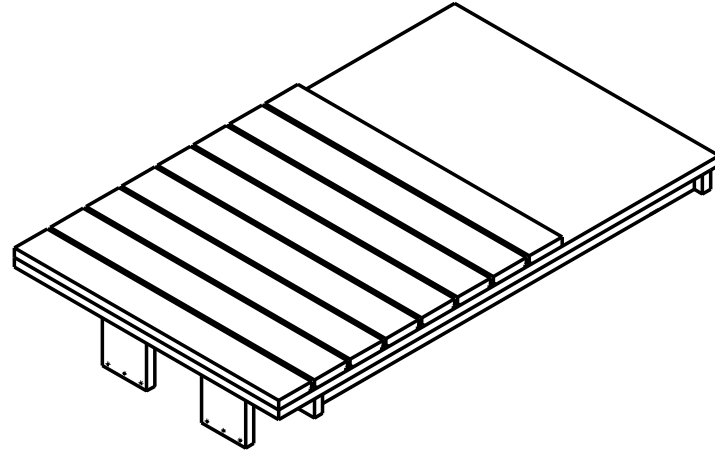
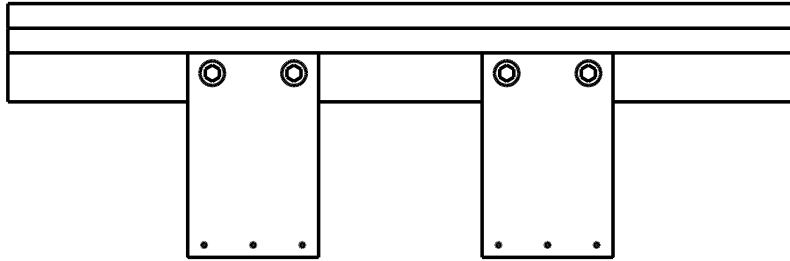
Unless Otherwise Specified: Dimensions in Inches Tolerances: Fractional ± Angular: Mach ± Bend ± Two Place Decimal ± Three Place Decimal ±	Drawn	Name	Date	BootstrapCNC CNC Router 2015 Flying Gantry Legs				
	Checked							
	ENG Appr.							
	MFR Appr.							
	QA							
Material	Comments			Size	Drawing No.	Rev		
Finish	CAD Generated Drawing Do Not Manually Update			A	FGL	A		
Do Not Scale Drawing				Scale	1:1	CAD File	Sheet	1 of 1

Revisions			Date	Approved
Zone	Rev	Description		



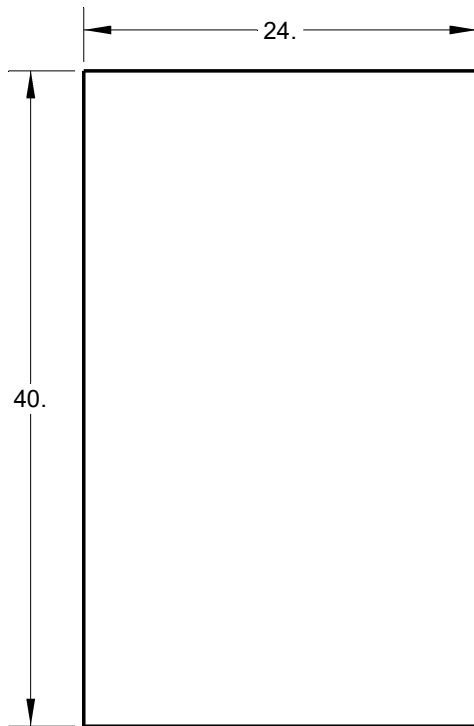
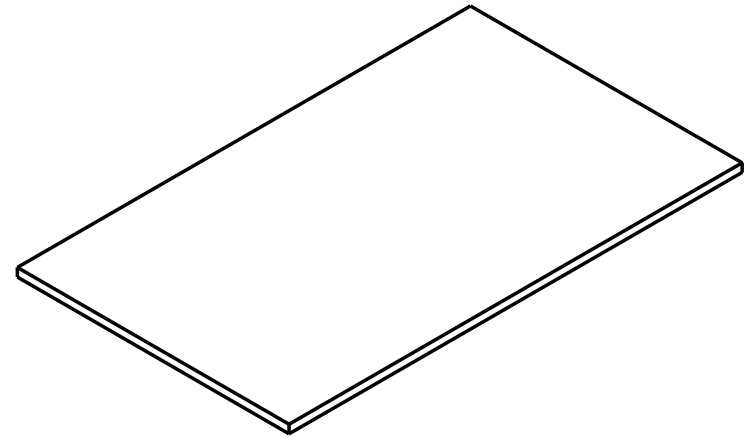
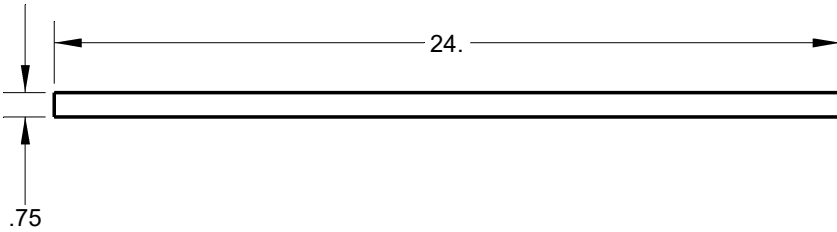
Unless Otherwise Specified: Dimensions in Inches Tolerances: Fractional ± Angular: Mach ± Bend ± Two Place Decimal ± Three Place Decimal ±	Drawn	Name	Date	BootstrapCNC CNC Router 2015 Flying Gantry Base			
	Checked						
	ENG Appr.						
	MFR Appr.						
	QA						
Material	--	Comments		Size	Drawing No.	Rev	
Finish	--	CAD Generated Drawing Do Not Manually Update		A	BFGA	A	
Do Not Scale Drawing				Scale	1:1	CAD File	Sheet 1 of 1

Revisions			Date	Approved
Zone	Rev	Description		



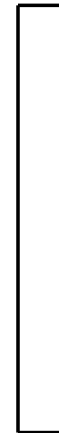
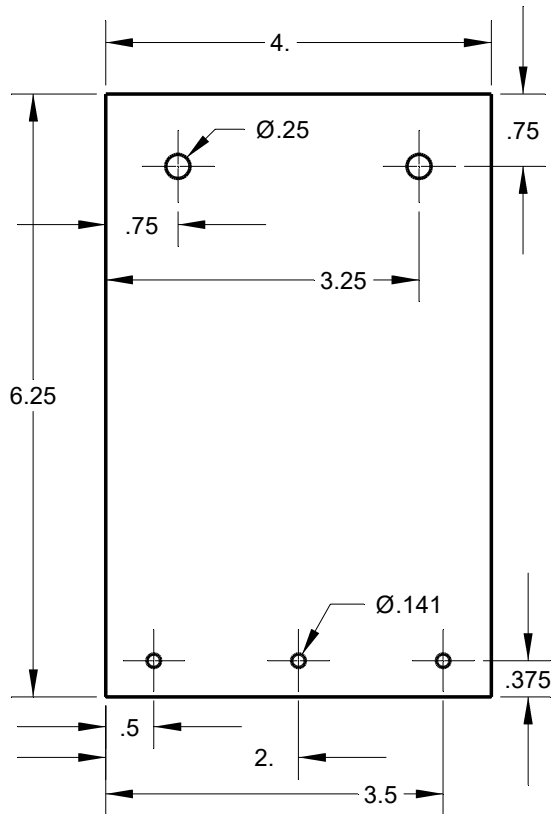
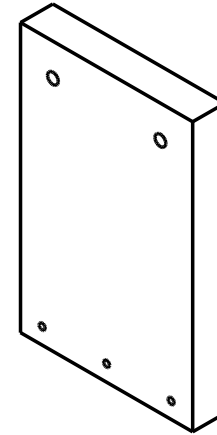
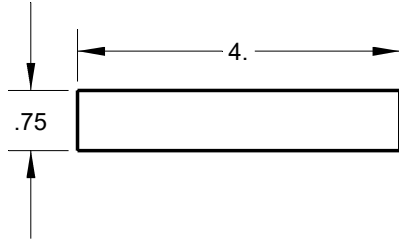
Unless Otherwise Specified: Dimensions in Inches Tolerances: Fractional ± Angular: Mach ± Bend ± Two Place Decimal ± Three Place Decimal ±	Drawn	Name	Date	BootstrapCNC CNC Router 2015 Flying Gantry Table Assembled				
	Checked							
	ENG Appr.							
	MFR Appr.							
	QA							
Material	Comments CAD Generated Drawing Do Not Manually Update			Size	Drawing No.	Rev		
Finish				A	FGTA	A		
Do Not Scale Drawing				Scale	1:1	CAD File	Sheet	1 of 1

Revisions			Date	Approved
Zone	Rev	Description		



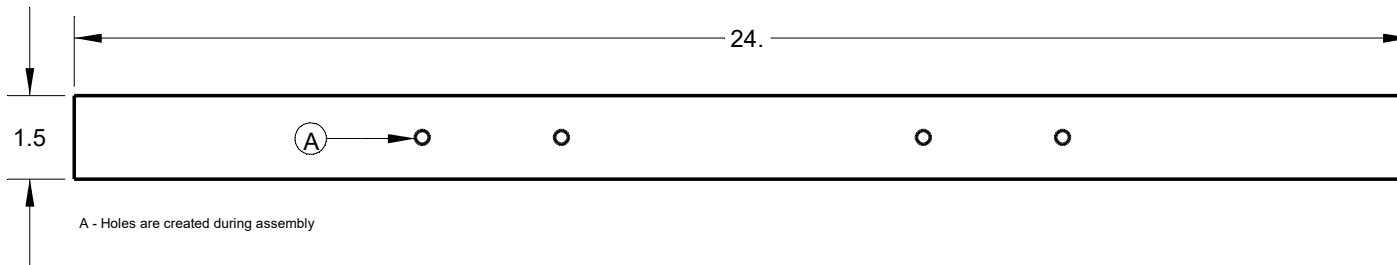
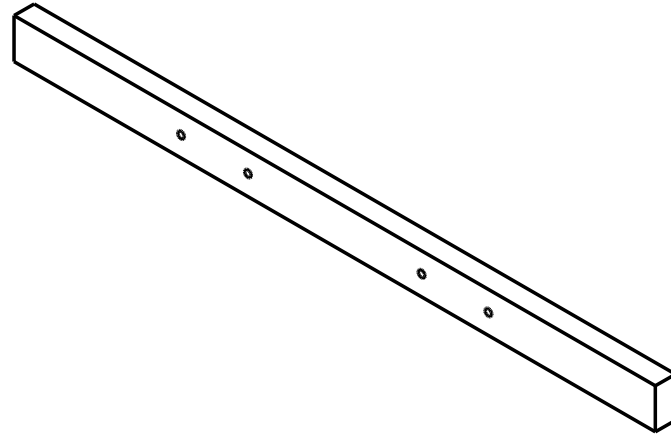
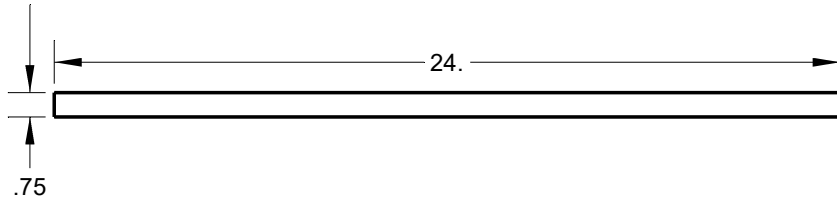
Unless Otherwise Specified: Dimensions in Inches Tolerances: Fractional ± Angular: Mach ± Bend ± Two Place Decimal ± Three Place Decimal ±		Name	Date	BootstrapCNC CNC Router 2015 Flying Gantry Table		
	Drawn					
	Checked					
	ENG Appr.					
	MFR Appr.					
	QA					
	Comments			Size	Drawing No.	Rev
Material	CAD Generated Drawing Do Not Manually Update			A	FGT	A
Finish				Scale	1:1	CAD File
Do Not Scale Drawing				Sheet	1 of 1	

Revisions			Date	Approved
Zone	Rev	Description		



Unless Otherwise Specified: Dimensions in Inches Tolerances: Fractional ± Angular: Mach ± Bend ± Two Place Decimal ± Three Place Decimal ±		Name	Date	BootstrapCNC CNC Router 2015 Flying Gantry Table Leg		
	Drawn					
	Checked					
	ENG Appr.					
	MFR Appr.					
	QA					
	Comments			Size	Drawing No.	Rev
Material	CAD Generated Drawing Do Not Manually Update			A	FGTL	A
Finish				Scale	1:1	CAD File
Do Not Scale Drawing				Sheet	1 of 1	

Revisions			Date	Approved
Zone	Rev	Description		

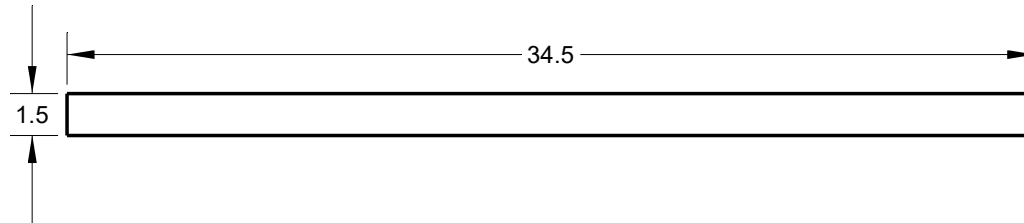
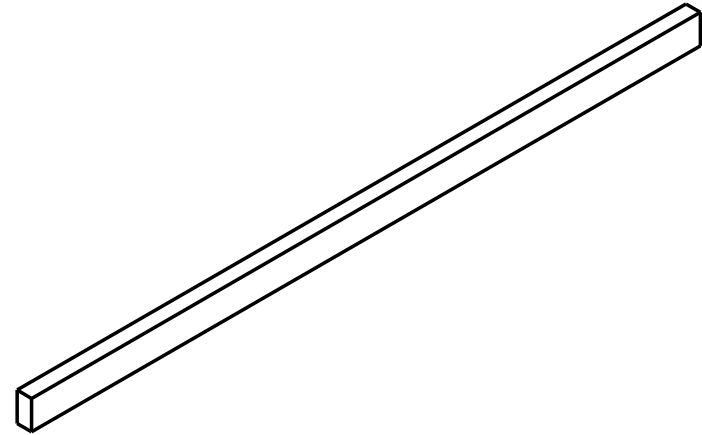
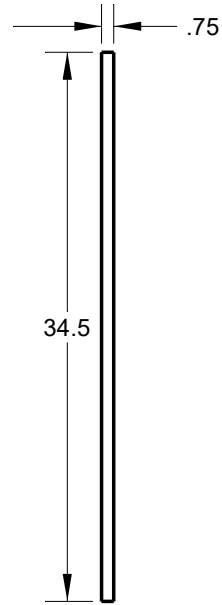


A - Holes are created during assembly



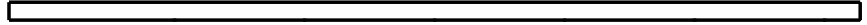
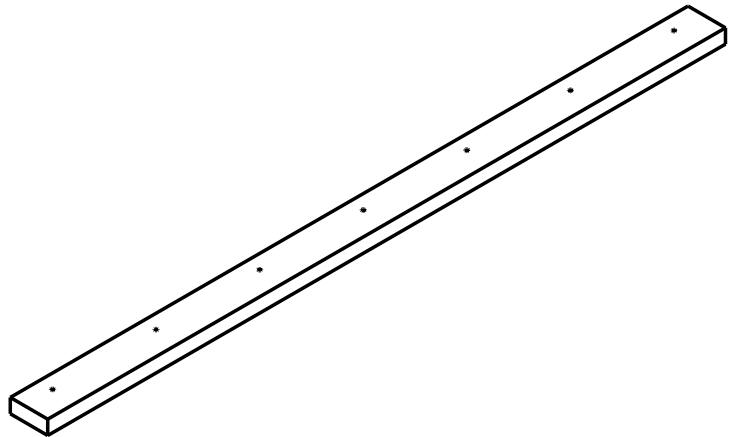
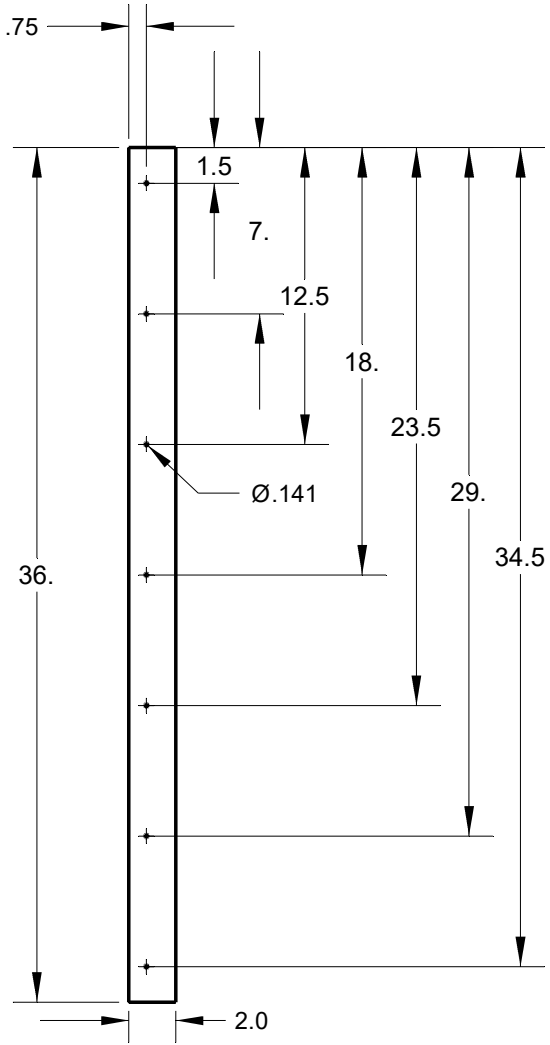
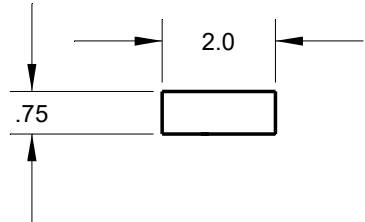
Unless Otherwise Specified:		Name	Date	BootstrapCNC		
Dimensions in Inches Tolerances: Fractional ± Angular: Mach ± Bend ± Two Place Decimal ± Three Place Decimal ±		Drawn				
		Checked		CNC Router 2015 Flying Gantry Table Support (End)		
		ENG Appr.				
		MFR Appr.				
		QA				
Material --		Comments		Size	Drawing No.	Rev
Finish --		CAD Generated Drawing Do Not Manually Update		A	FGTSE	A
Do Not Scale Drawing				Scale	1:1	CAD File
				Sheet	1 of 1	

Revisions			Date	Approved
Zone	Rev	Description		

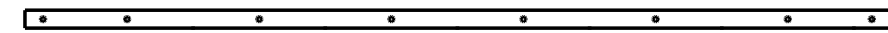
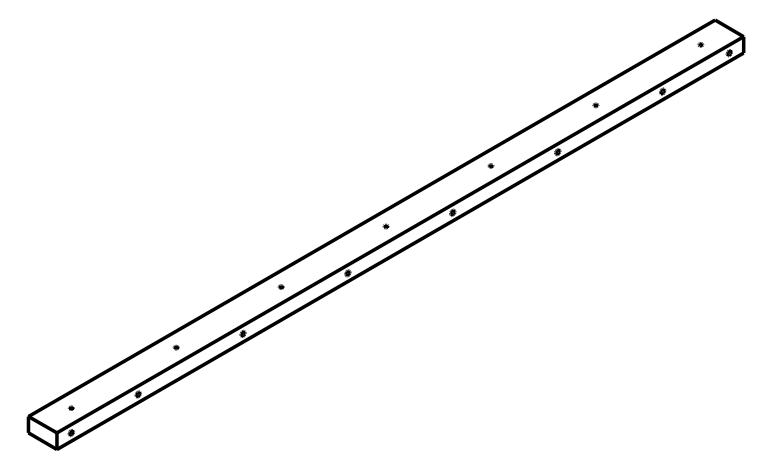
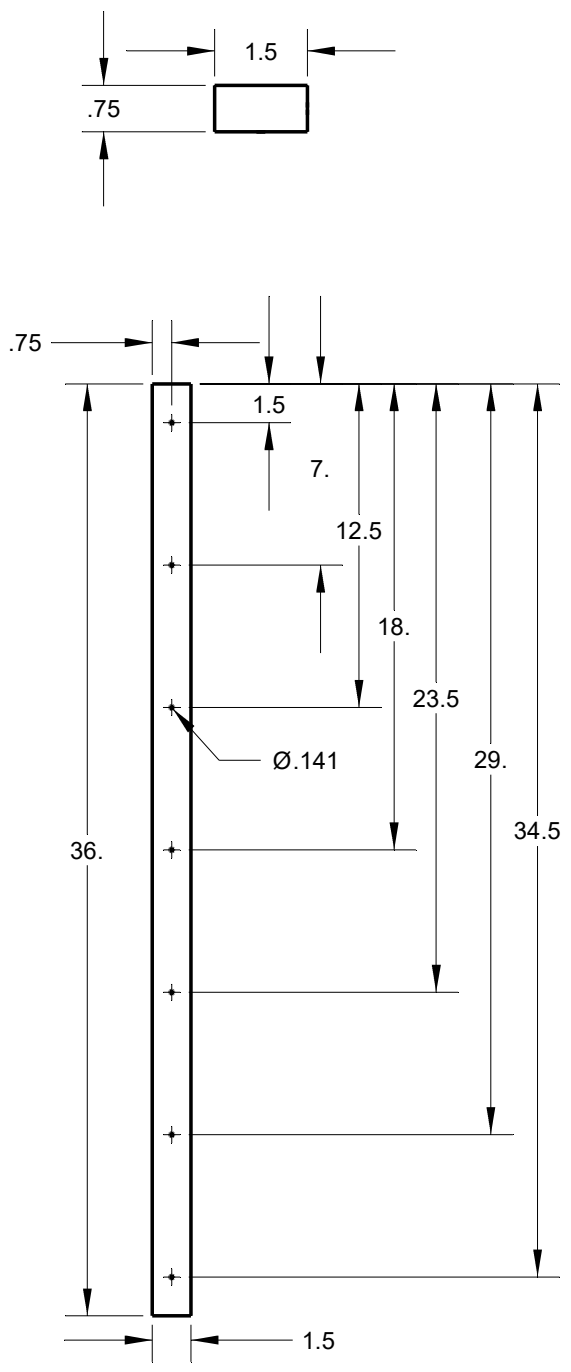


Unless Otherwise Specified: Dimensions in Inches Tolerances: Fractional ± Angular: Mach ± Bend ± Two Place Decimal ± Three Place Decimal ±	Drawn	Name	Date	BootstrapCNC		
	Checked					
	ENG Appr.			Flying Gantry Table Support		
	MFR Appr.					
	QA					
	Comments	CAD Generated Drawing Do Not Manually Update			Size	Drawing No.
Material --				A	FGTS	A
Finish --				Scale	1:1	CAD File
Do Not Scale Drawing				Sheet	1 of 1	

Revisions			Date	Approved
Zone	Rev	Description		



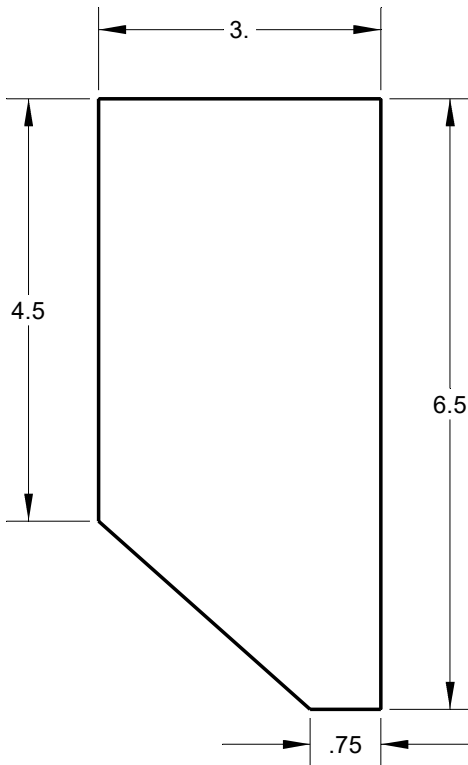
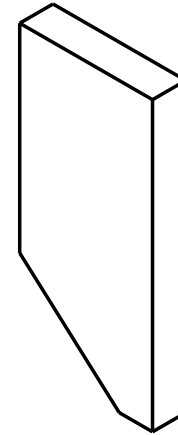
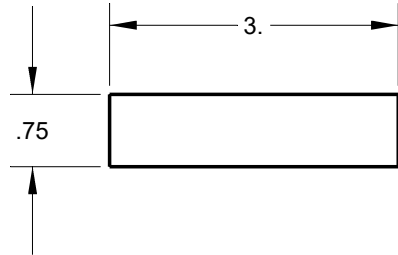
Unless Otherwise Specified: Dimensions in Inches Tolerances: Fractional ± Angular: Mach ± Bend ± Two Place Decimal ± Three Place Decimal ±		Name	Date	BootstrapCNC CNC Router 2015 36 Inch Rail Tensioner Spacer		
	Drawn					
	Checked					
	ENG Appr.					
	MFR Appr.					
	QA					
Material		Comments CAD Generated Drawing Do Not Manually Update		Size	Drawing No.	Rev
Finish				A	RTS36	A
Do Not Scale Drawing				Scale	1:1	CAD File



Revisions			Date	Approved
Zone	Rev	Description		

Unless Otherwise Specified: Dimensions in Inches Tolerances: Fractional ± Angular: Mach ± Bend ± Two Place Decimal ± Three Place Decimal ±	Drawn	Name	Date	BootstrapCNC CNC Router 2015 36 Inch Rail Tensioner				
	Checked							
	ENG Appr.							
	MFR Appr.							
	QA							
Material	Comments CAD Generated Drawing Do Not Manually Update			Size	Drawing No.	Rev		
Finish				A	RT36	A		
Do Not Scale Drawing				Scale	1:1	CAD File	Sheet	1 of 1

Revisions			Date	Approved
Zone	Rev	Description		



Unless Otherwise Specified: Dimensions in Inches Tolerances: Fractional ± Angular: Mach ± Bend ± Two Place Decimal ± Three Place Decimal ±	Drawn	Name	Date	BootstrapCNC CNC Router 2015 Gantry Leg Brace		
	Checked					
	ENG Appr.					
	MFR Appr.					
	QA					
Material --	Comments CAD Generated Drawing Do Not Manually Update			Size	Drawing No.	Rev
Finish --				A	GLB	A
Do Not Scale Drawing				Scale 1:1	CAD File	Sheet 1 of 1