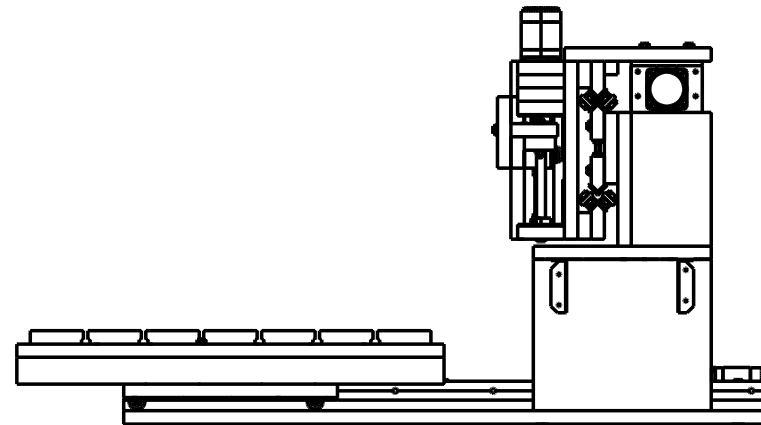
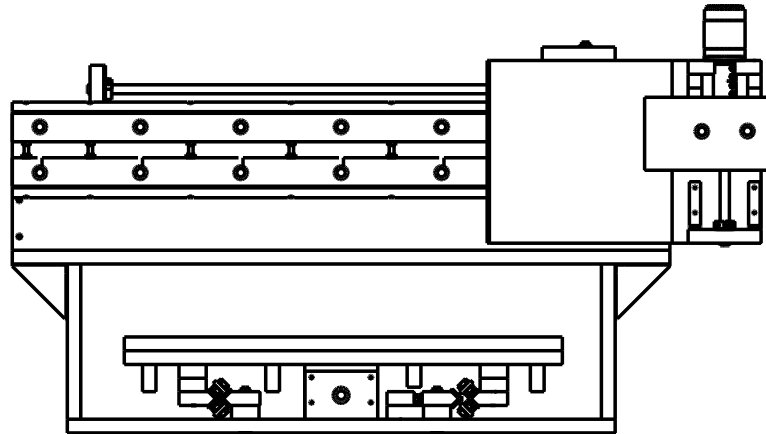
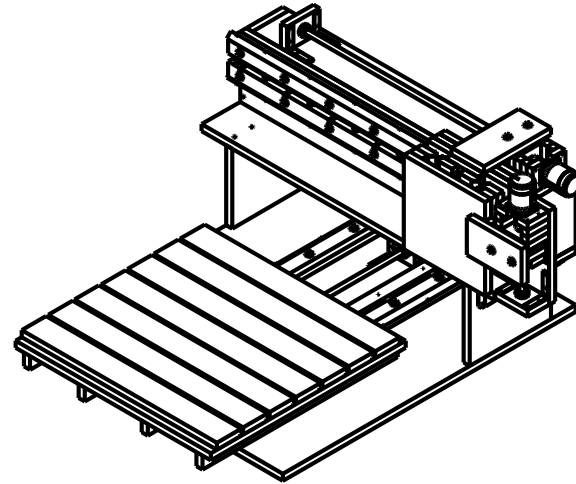
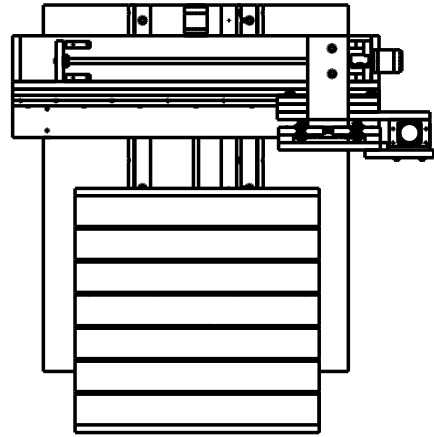
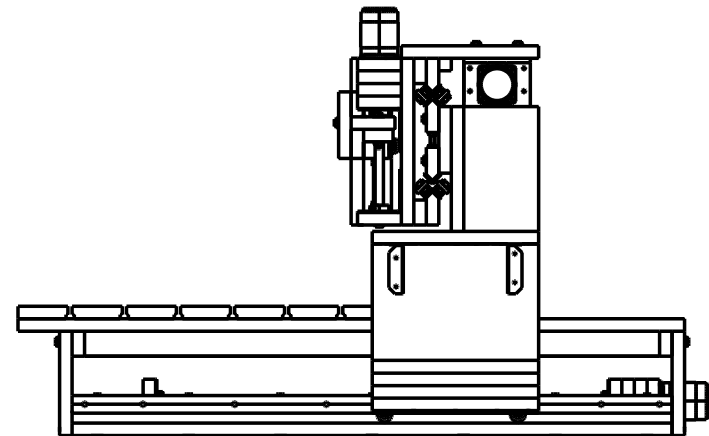
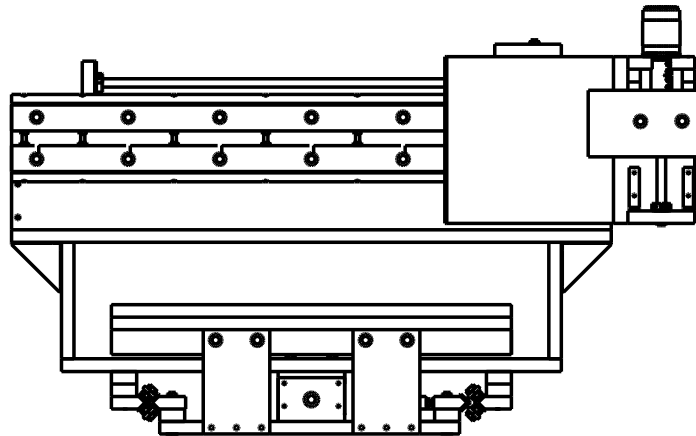
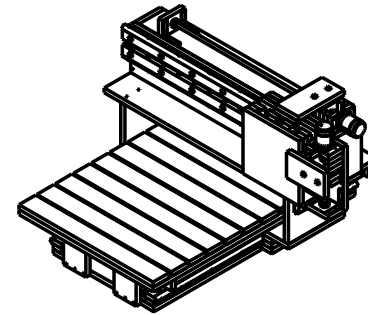
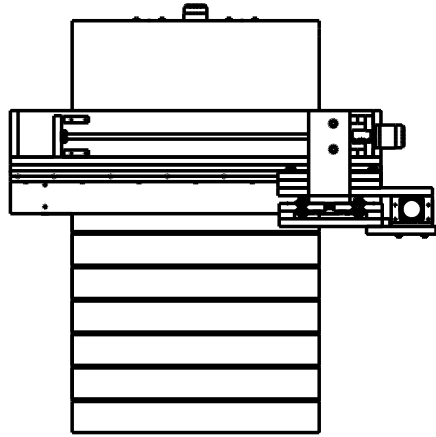


Revisions			Date	Approved
Zone	Rev	Description		



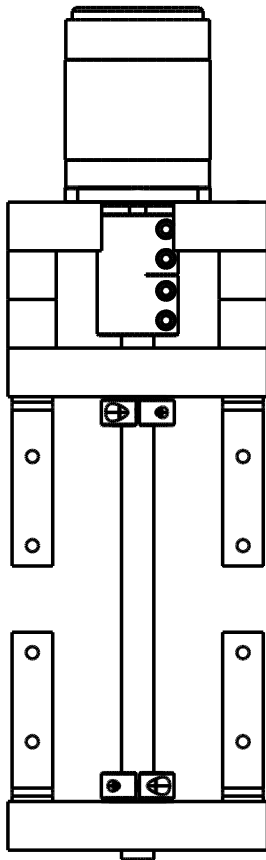
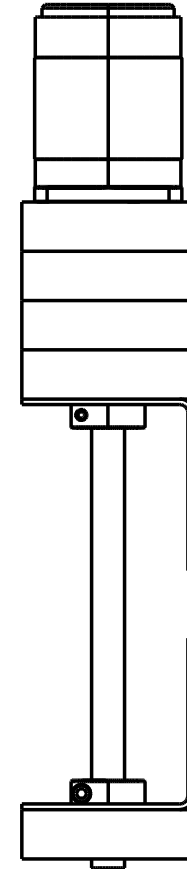
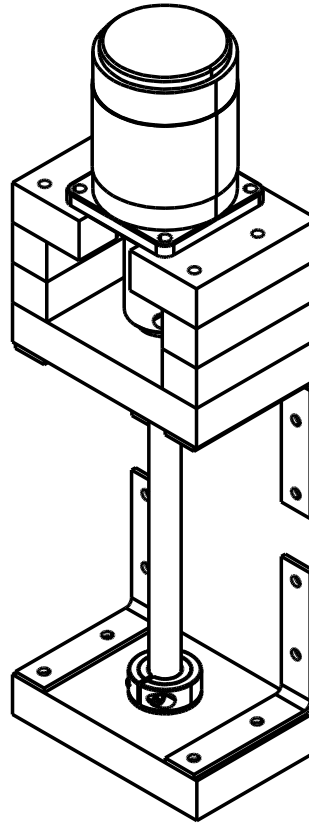
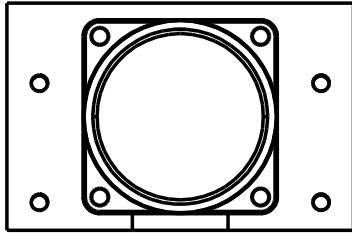
Unless Otherwise Specified: Dimensions in Inches Tolerances: Fractional ± Angular: Mach ± Bend ± Two Place Decimal ± Three Place Decimal ±	Drawn	Name	Date	BootstrapCNC CNC Router 2015 Moving Table Machine			
	Checked						
	ENG Appr.						
	MFR Appr.						
	QA						
Material	--	Comments		Size	Drawing No.	Rev	
Finish	--	CAD Generated Drawing Do Not Manually Update		A	MTM	A	
Do Not Scale Drawing				Scale	1:1	CAD File	Sheet 1 of 1

Revisions			Date	Approved
Zone	Rev	Description		



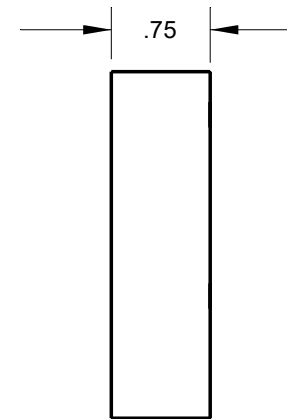
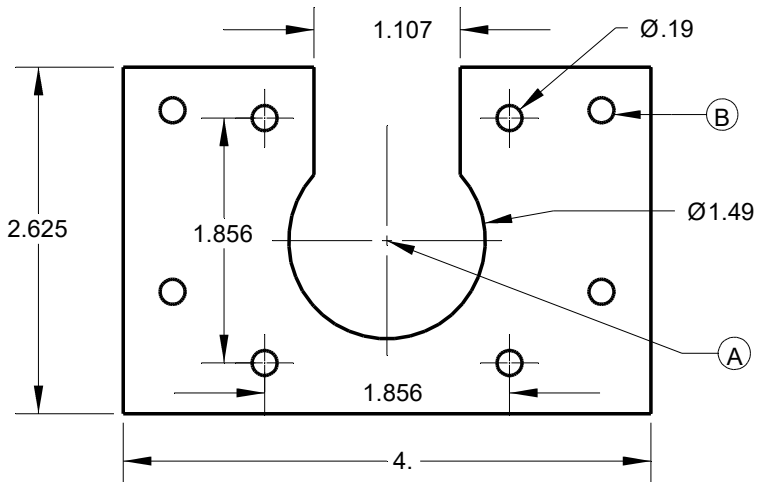
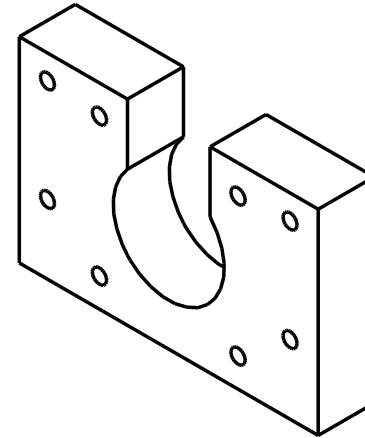
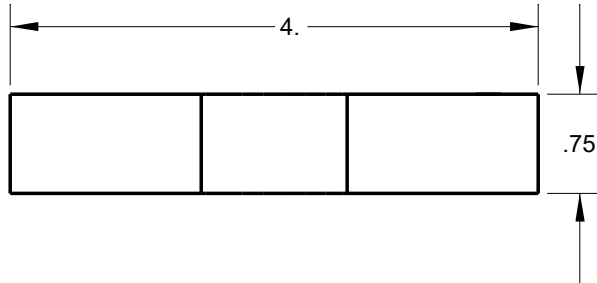
Unless Otherwise Specified:		Name	Date	BootstrapCNC CNC Router 2015 Moving Table Machine				
Dimensions in Inches		Drawn						
Tolerances: Fractional ±		Checked						
Angular: Mach ± Bend ±		ENG Appr.						
Two Place Decimal ±		MFR Appr.						
Three Place Decimal ±		QA		Size	Drawing No.	Rev		
Material	--	Comments CAD Generated Drawing Do Not Manually Update		A	FGM	A		
Finish	--			Scale	1:1	CAD File	Sheet	1 of 1
Do Not Scale Drawing								

Revisions			Date	Approved
Zone	Rev	Description		



Unless Otherwise Specified: Dimensions in Inches Tolerances: Fractional ± Angular: Mach ± Bend ± Two Place Decimal ± Three Place Decimal ±	Drawn	Name	Date	BootstrapCNC CNC Router 2015 Drive Assembly				
	Checked							
	ENG Appr.							
	MFR Appr.							
	QA							
Material	Comments			Size	Drawing No.	Rev		
Finish	CAD Generated Drawing Do Not Manually Update			A	DA	A		
Do Not Scale Drawing				Scale	1:1	CAD File	Sheet	1 of 1

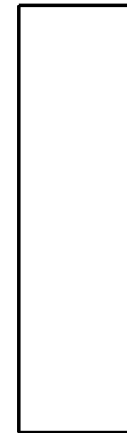
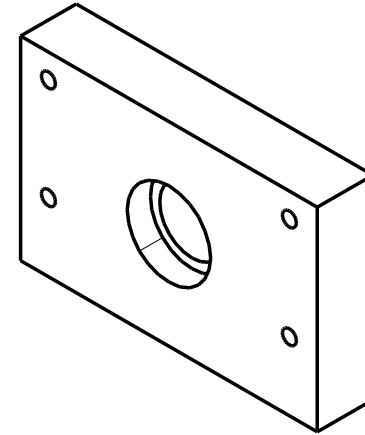
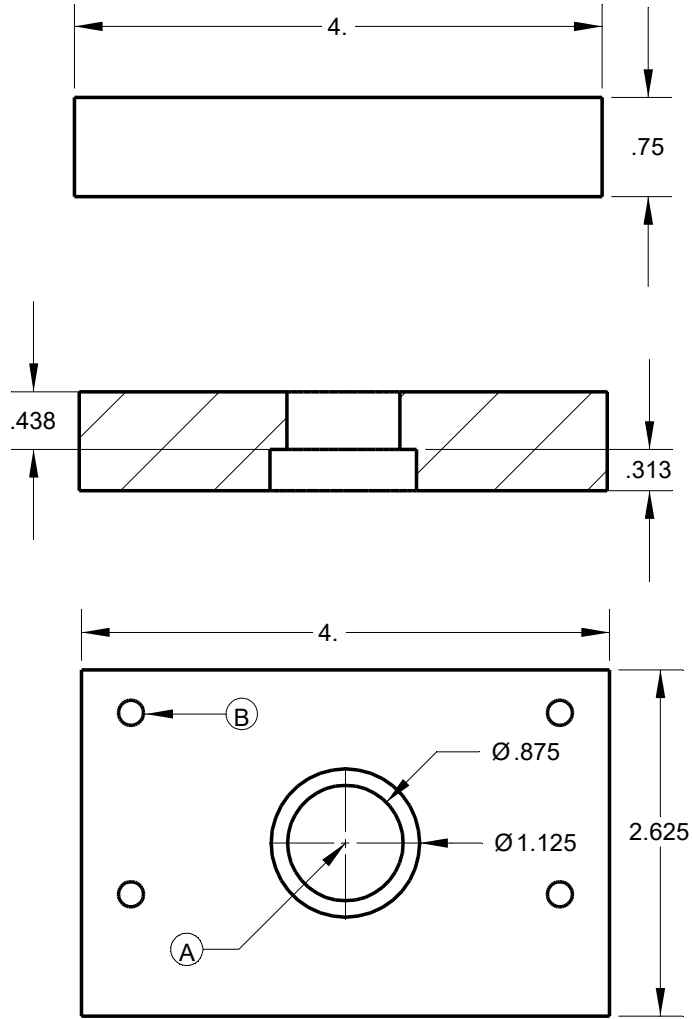
Revisions			Date	Approved
Zone	Rev	Description		



A - Center @ 2, 1.3125
 B - Bracket holes will vary depending on the vendor

Unless Otherwise Specified: Dimensions in Inches Tolerances: Fractional ± Angular: Mach ± Bend ± Two Place Decimal ± Three Place Decimal ±	Name		Date		BootstrapCNC CNC Router 2015 X/Y Motor Mount				
	Drawn								
	Checked								
	ENG Appr.				Size		Drawing No.	Rev	
	MFR Appr.				A		MM	A	
	QA				Scale		1:1	CAD File	Sheet
Material	--		Comments		CAD Generated Drawing Do Not Manually Update				
Finish	--								
Do Not Scale Drawing									

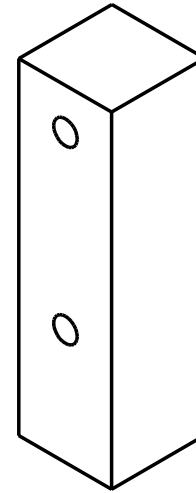
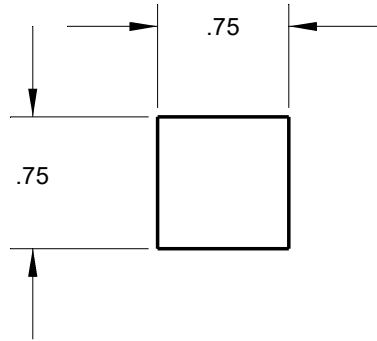
Revisions			Date	Approved
Zone	Rev	Description		



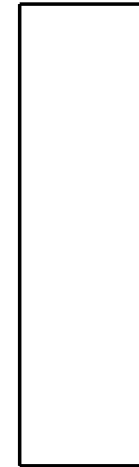
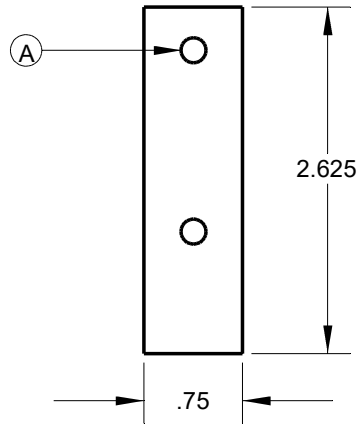
A - Center @ 2, 1.3125
 B - Bracket holes will vary depending on vendor

Unless Otherwise Specified: Dimensions in Inches Tolerances: Fractional ± Angular: Mach ± Bend ± Two Place Decimal ± Three Place Decimal ±	Drawn	Name	Date	BootstrapCNC CNC Router 2015 X/Y Motor Mount Bearing Block		
	Checked					
	ENG Appr.					
	MFR Appr.					
	QA					
	Comments			Size	Drawing No.	Rev
Material --	CAD Generated Drawing Do Not Manually Update			A	MBB	A
Finish --				Scale 1:1	CAD File	Sheet 1 of 1
Do Not Scale Drawing						

Revisions			Date	Approved
Zone	Rev	Description		

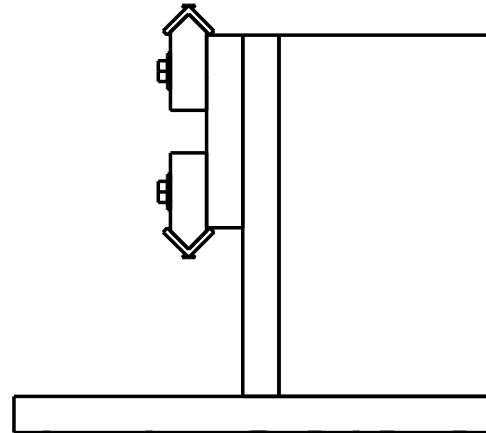
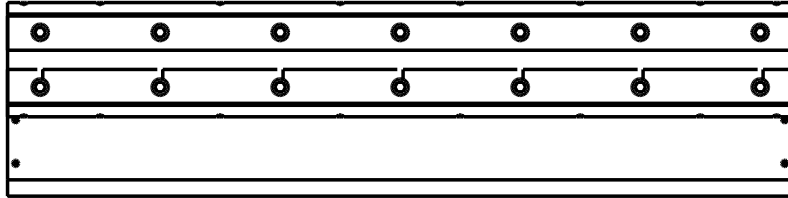
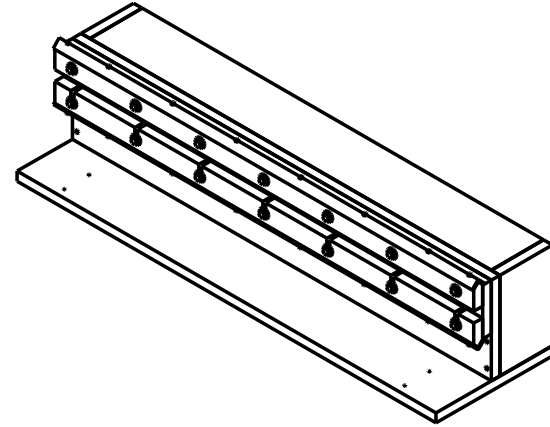
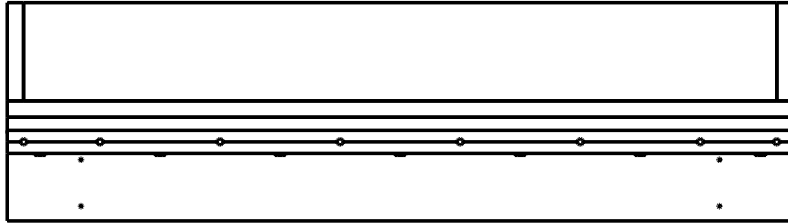


A - Bracket holes will vary depending on vendor



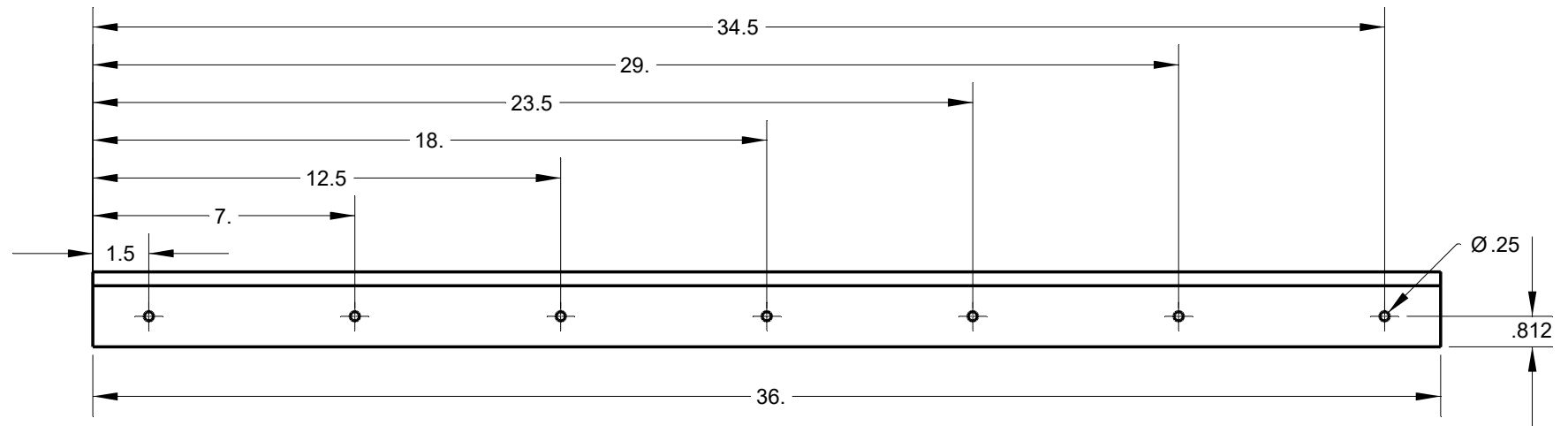
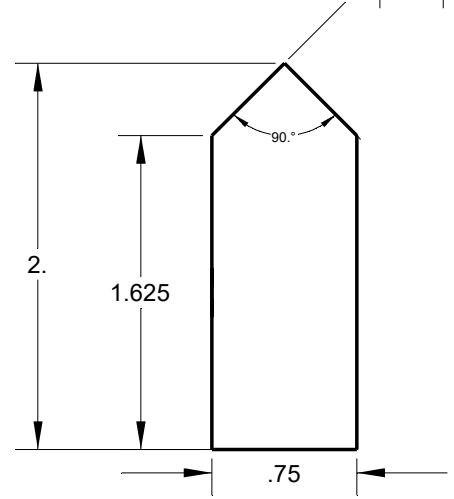
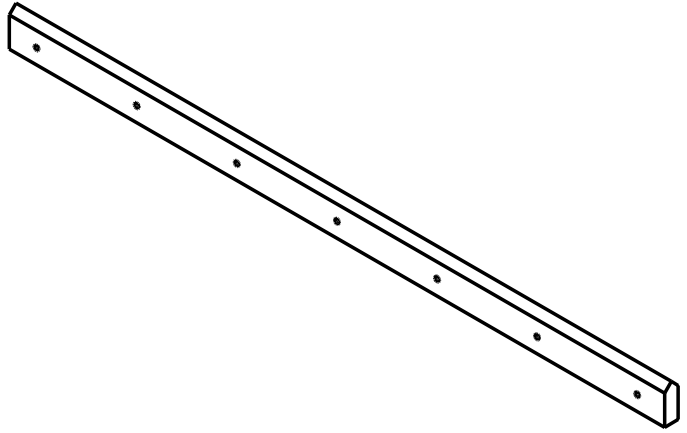
Unless Otherwise Specified: Dimensions in Inches Tolerances: Fractional ± Angular: Mach ± Bend ± Two Place Decimal ± Three Place Decimal ±	Drawn	Name	Date	BootstrapCNC CNC Router 2015 Motor Mount Spacer		
	Checked					
	ENG Appr.					
	MFR Appr.					
	QA					
	Comments	CAD Generated Drawing Do Not Manually Update				
Material --	Size A	Drawing No. MMS	Rev A	Scale 1:1	CAD File	Sheet 1 of 1

Revisions			Date	Approved
Zone	Rev	Description		



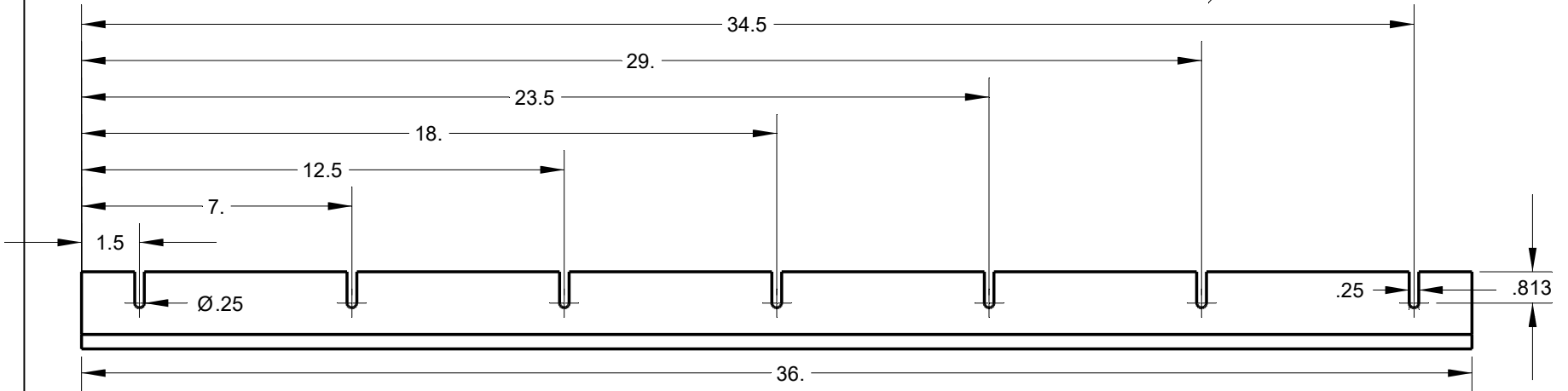
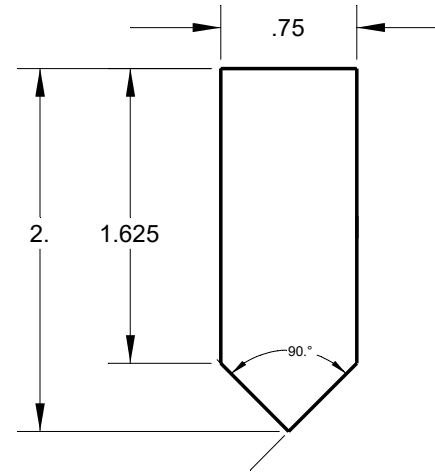
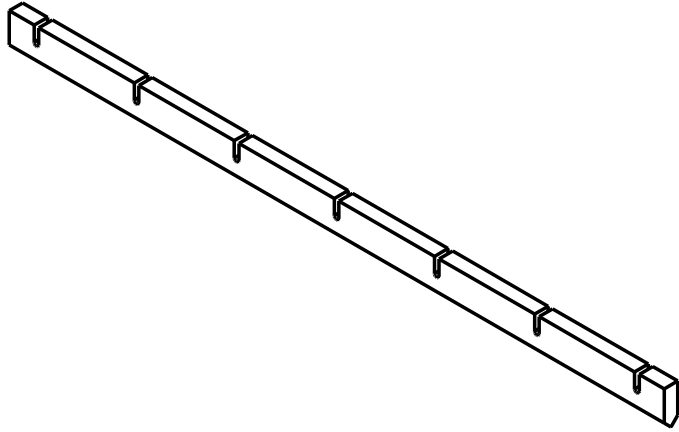
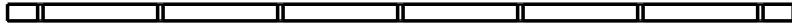
Unless Otherwise Specified: Dimensions in Inches Tolerances: Fractional ± Angular: Mach ± Bend ± Two Place Decimal ± Three Place Decimal ±		Name	Date	BootstrapCNC CNC Router 2015 Gantry Assembled		
	Drawn					
	Checked					
	ENG Appr.					
	MFR Appr.					
	QA					
	Comments CAD Generated Drawing Do Not Manually Update			Size	Drawing No.	Rev
Material				A	GA	A
Finish				Scale	1:1	CAD File
Do Not Scale Drawing				Sheet	1 of 1	

Revisions			Date	Approved
Zone	Rev	Description		



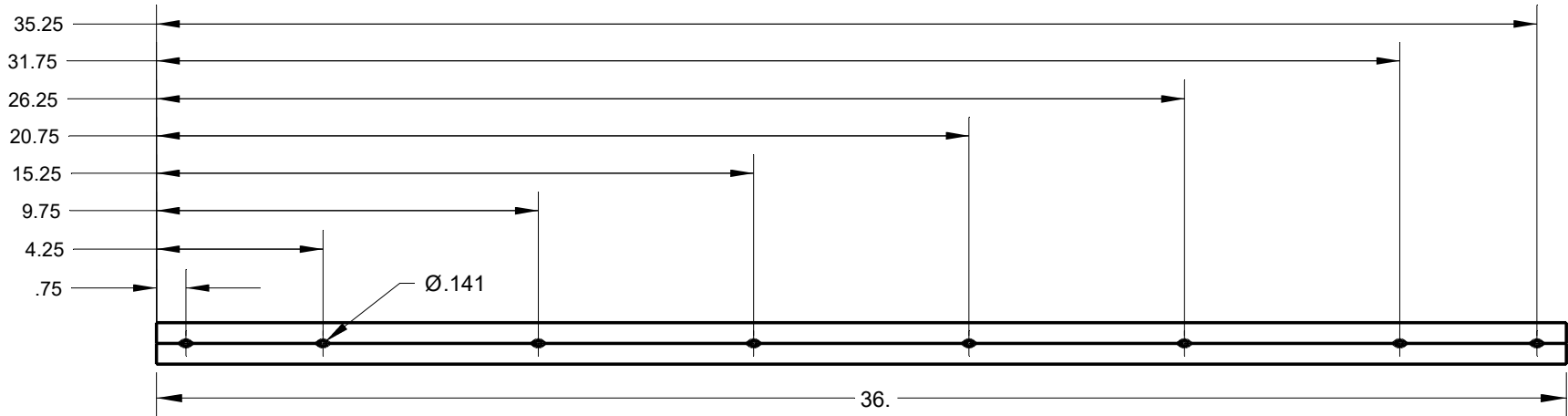
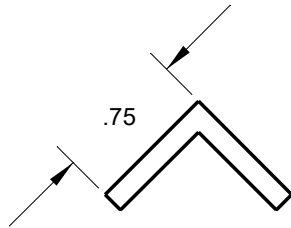
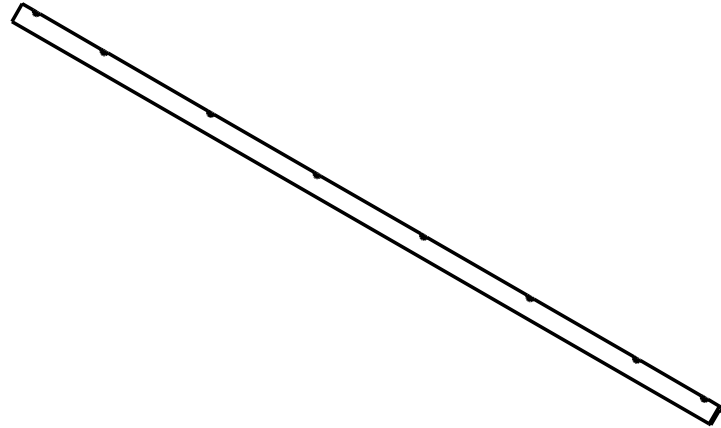
Unless Otherwise Specified: Dimensions in Inches Tolerances: Fractional ± Angular: Mach ± Bend ± Two Place Decimal ± Three Place Decimal ±	Drawn	Name	Date	BootstrapCNC CNC Router 2015 36 Inch Rail Block				
	Checked							
	ENG Appr.							
	MFR Appr.							
	QA							
Material	Comments			Size	Drawing No.	Rev		
Finish	CAD Generated Drawing Do Not Manually Update			A	RB36	A		
Do Not Scale Drawing				Scale	1:1	CAD File	Sheet	1 of 1

Revisions			Date	Approved
Zone	Rev	Description		



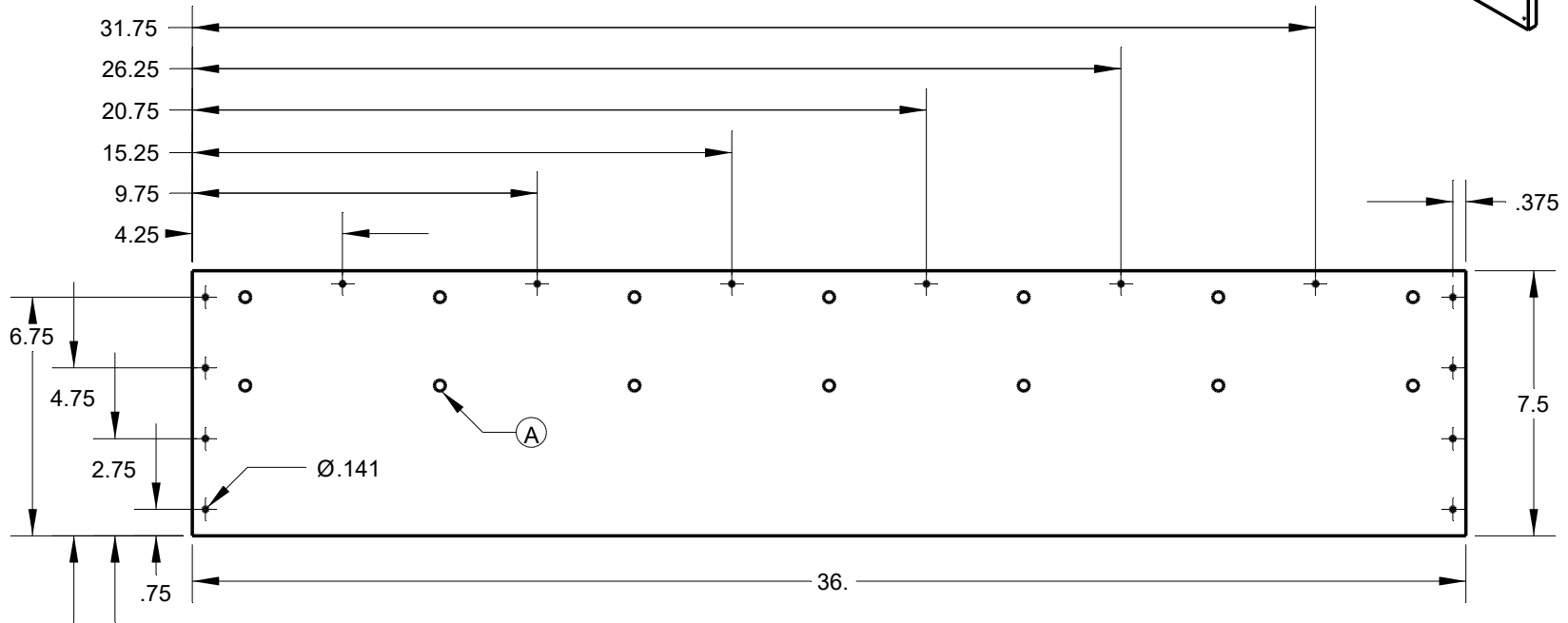
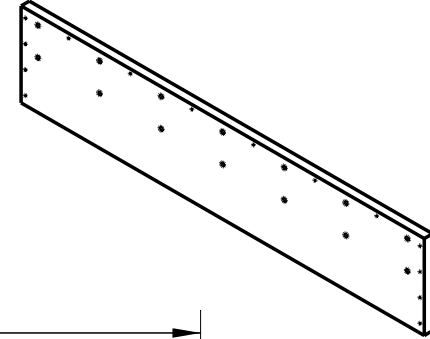
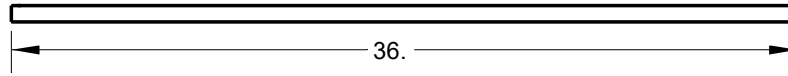
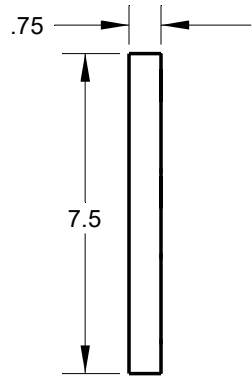
Unless Otherwise Specified: Dimensions in Inches Tolerances: Fractional ± Angular: Mach ± Bend ± Two Place Decimal ± Three Place Decimal ±		Name	Date	BootstrapCNC CNC Router 2015 36 Inch Slotted Rail Block		
	Drawn					
	Checked					
	ENG Appr.					
	MFR Appr.					
	QA					
Material		Comments CAD Generated Drawing Do Not Manually Update		Size	Drawing No.	Rev
Finish				A	RBS36	A
Do Not Scale Drawing				Scale	1:1	CAD File

Revisions			Date	Approved
Zone	Rev	Description		



Unless Otherwise Specified: Dimensions in Inches Tolerances: Fractional ± Angular: Mach ± Bend ± Two Place Decimal ± Three Place Decimal ±	Drawn	Name	Date	BootstrapCNC CNC Router 2015 36 Inch Rail
	Checked			
	ENG Appr.			
	MFR Appr.			
	QA			
Material	Comments			Size
Finish	CAD Generated Drawing Do Not Manually Update			Drawing No.
Do Not Scale Drawing				Rev
				Scale
				1:1
				CAD File
				Sheet
				1 of 1

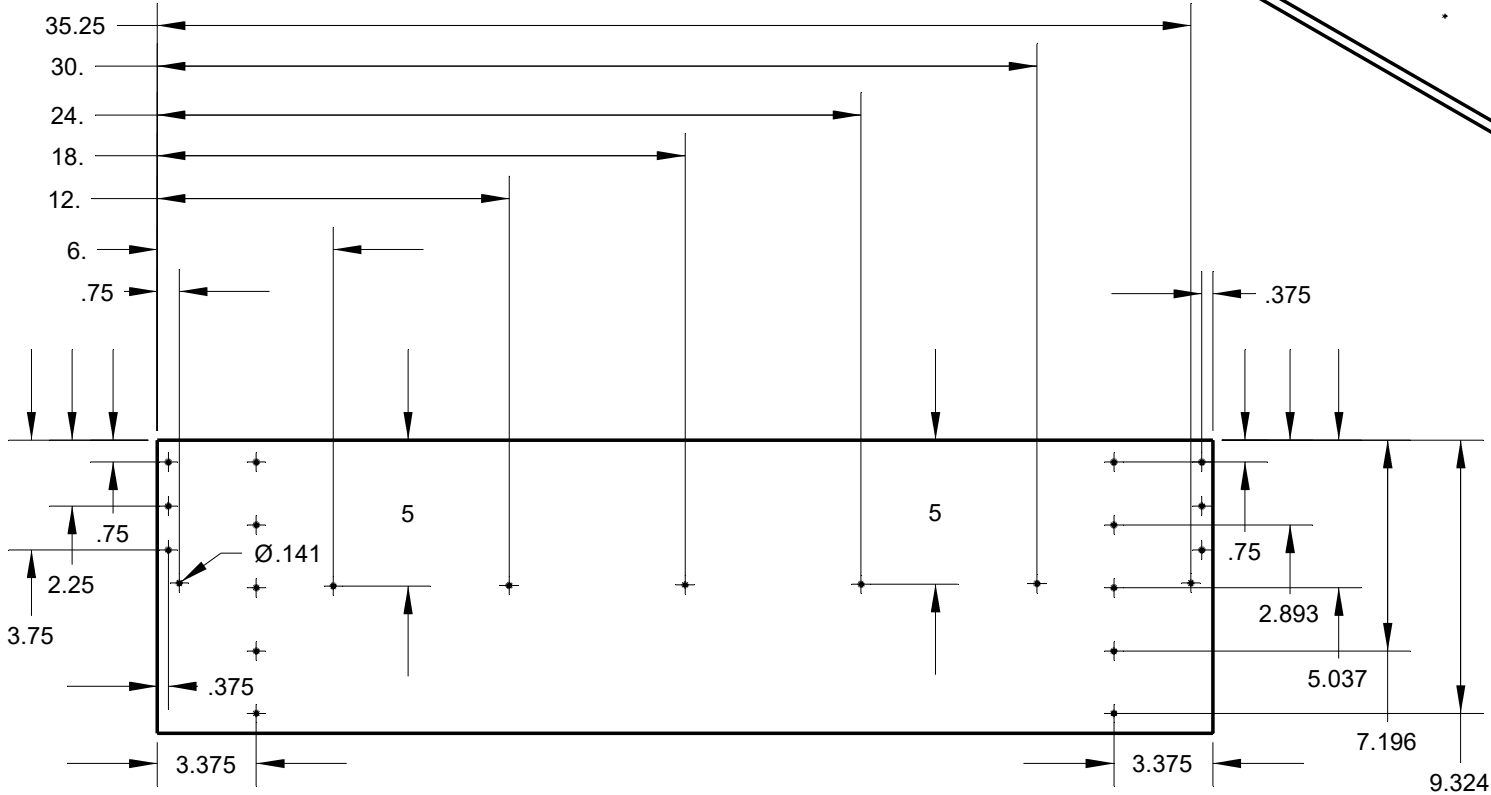
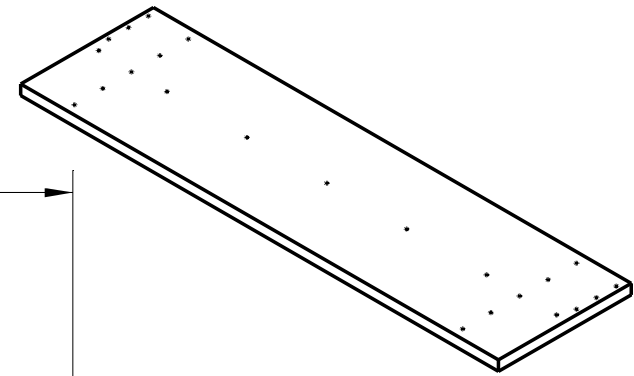
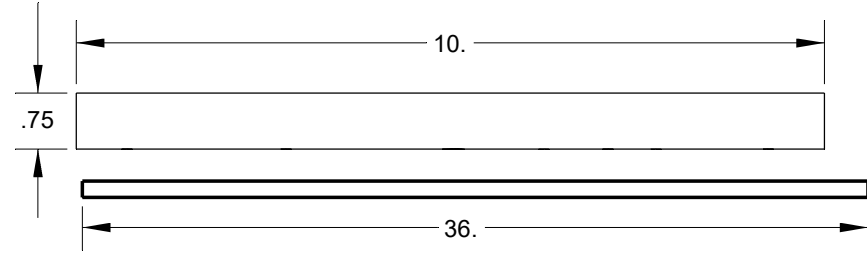
Revisions			Date	Approved
Zone	Rev	Description		



A - Holes created during assembly process

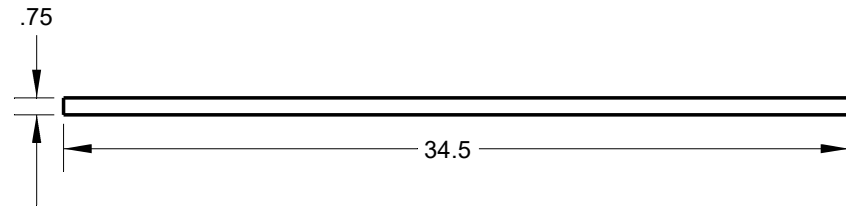
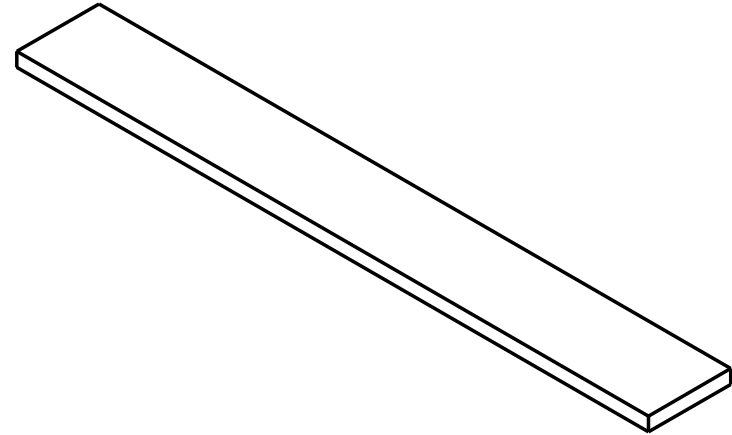
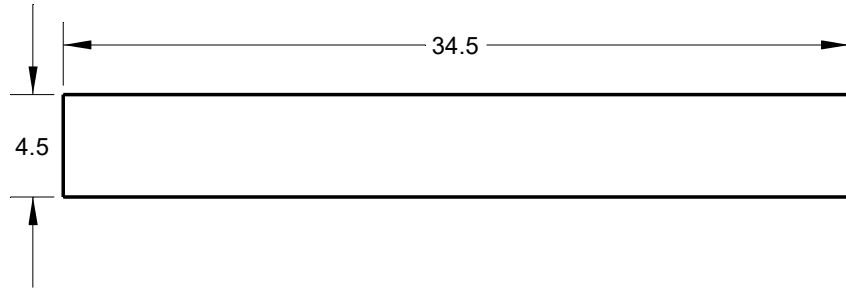
Unless Otherwise Specified: Dimensions in Inches Tolerances: Fractional ± Angular: Mach ± Bend ± Two Place Decimal ± Three Place Decimal ±	Drawn	Name	Date	BootstrapCNC CNC Router 2015 36 Inch Gantry Back				
	Checked							
	ENG Appr.							
	MFR Appr.							
	QA							
	Comments	CAD Generated Drawing Do Not Manually Update			Size	Drawing No.	Rev	
Material	--			A	GBK36	A		
Finish	--			Scale	1:1	CAD File	Sheet	1 of 1
Do Not Scale Drawing								

Revisions			Date	Approved
Zone	Rev	Description		



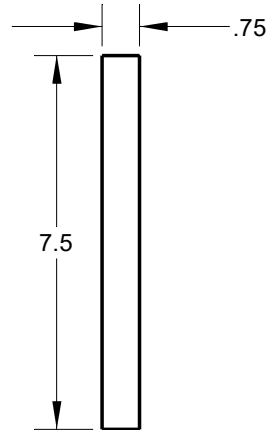
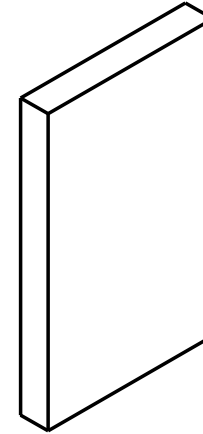
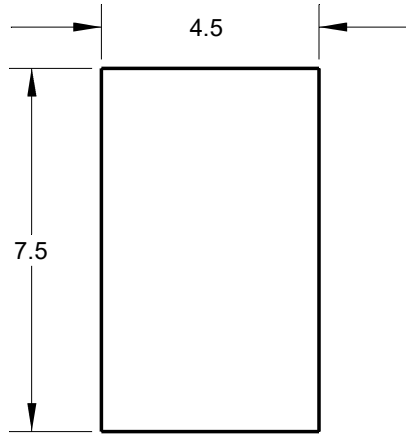
Unless Otherwise Specified: Dimensions in Inches Tolerances: Fractional ± Angular: Mach ± Bend ± Two Place Decimal ± Three Place Decimal ±		Name	Date	BootstrapCNC CNC Router 2015 36 Inch Gantry Bottom		
	Drawn					
	Checked					
	ENG Appr.					
	MFR Appr.					
Material		Comments CAD Generated Drawing Do Not Manually Update		Size	Drawing No.	Rev
Finish				A	GB36	A
Do Not Scale Drawing				Scale	1:1	CAD File

Revisions			Date	Approved
Zone	Rev	Description		



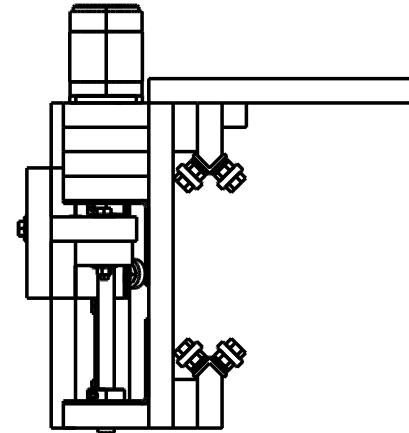
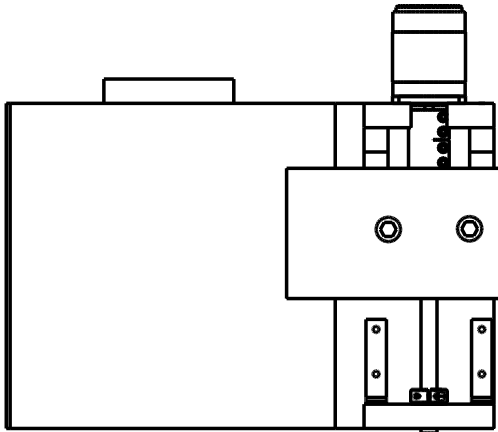
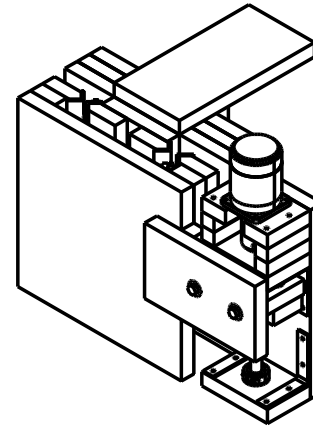
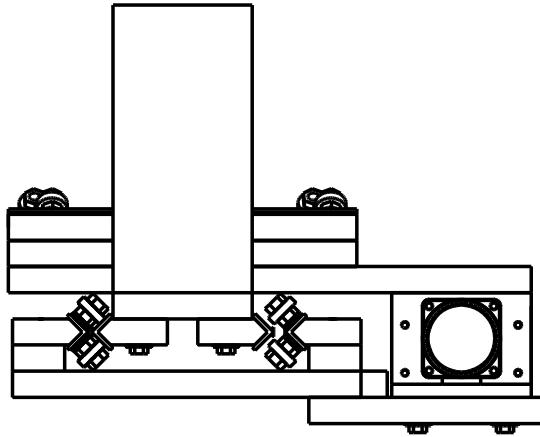
Unless Otherwise Specified: Dimensions in Inches Tolerances: Fractional ± Angular: Mach ± Bend ± Two Place Decimal ± Three Place Decimal ±		Name	Date	BootstrapCNC CNC Router 2015 Gantry Top Back (Shelf)		
	Drawn					
	Checked					
	ENG Appr.					
	MFR Appr.					
	Comments CAD Generated Drawing Do Not Manually Update			Size A	Drawing No. GTB36	Rev A
Material --				Scale 1:1	CAD File	Sheet 1 of 1
Finish --						
Do Not Scale Drawing						

Revisions			Date	Approved
Zone	Rev	Description	Date	Approved



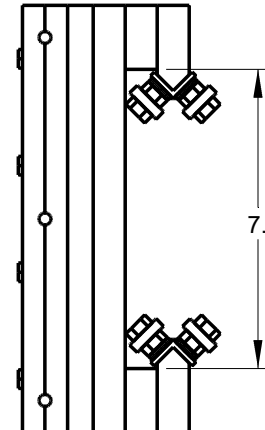
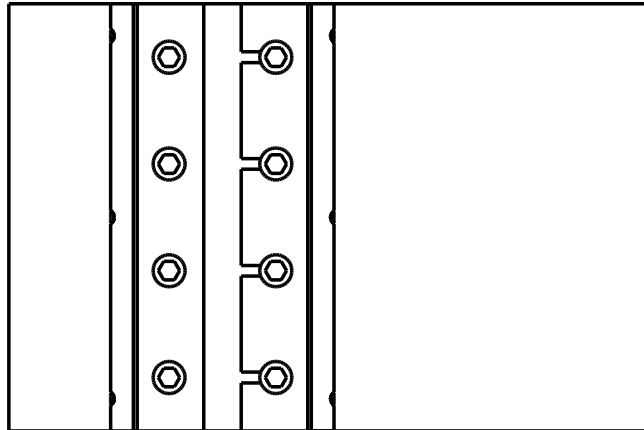
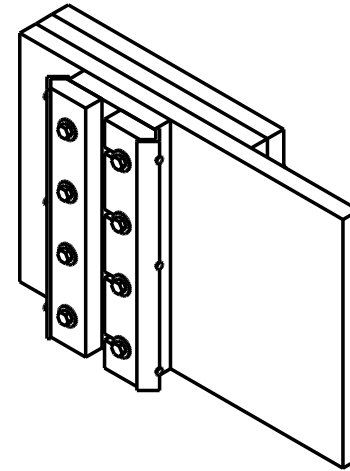
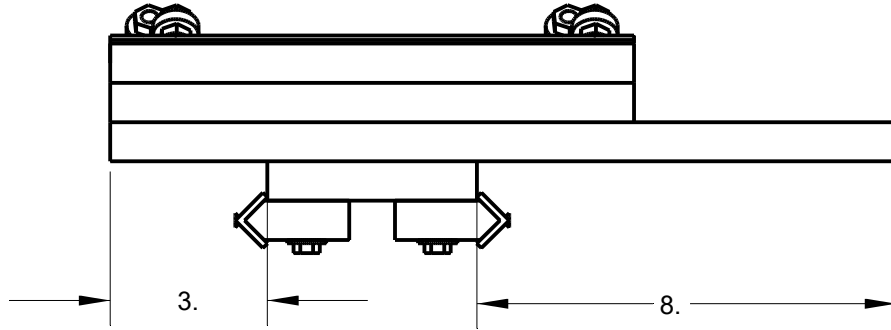
Unless Otherwise Specified: Dimensions in Inches Tolerances: Fractional ± Angular: Mach ± Bend ± Two Place Decimal ± Three Place Decimal ±	Drawn	Name	Date	BootstrapCNC CNC Router 2015 Gantry Side Backs (Supports)		
	Checked					
	ENG Appr.					
	MFR Appr.					
	QA					
Material --	Comments			Size	Drawing No.	Rev
Finish --	CAD Generated Drawing Do Not Manually Update			A	GSB	A
Do Not Scale Drawing				Scale 1:1	CAD File	Sheet 1 of 1

Revisions			Date	Approved
Zone	Rev	Description		



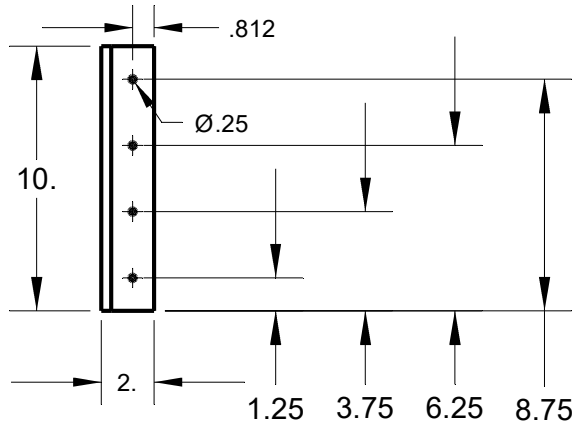
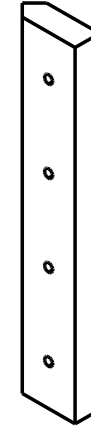
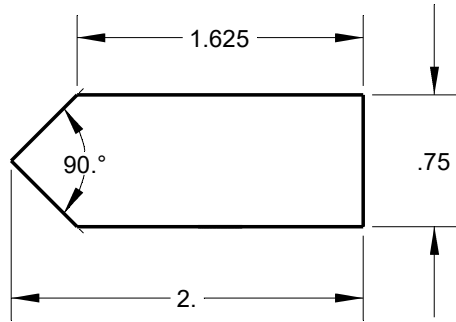
Unless Otherwise Specified: Dimensions in Inches Tolerances: Fractional ± Angular: Mach ± Bend ± Two Place Decimal ± Three Place Decimal ±	Name		Date		BootstrapCNC CNC Router 2015 Carriage Assembly		
	Drawn						
	Checked						
	ENG Appr.						
	MFR Appr.						
QA							
Material	Comments			Size	Drawing No.	Rev	
Finish	CAD Generated Drawing Do Not Manually Update			A	CA	A	
Do Not Scale Drawing	Scale	1:1	CAD File	Sheet	1 of 1		

Revisions			Date	Approved
Zone	Rev	Description		



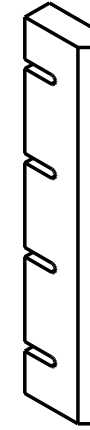
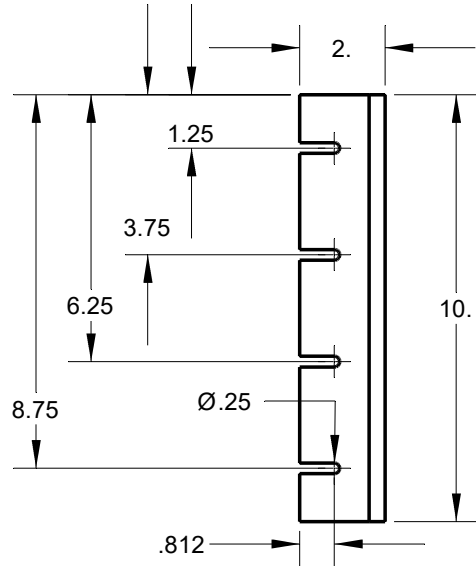
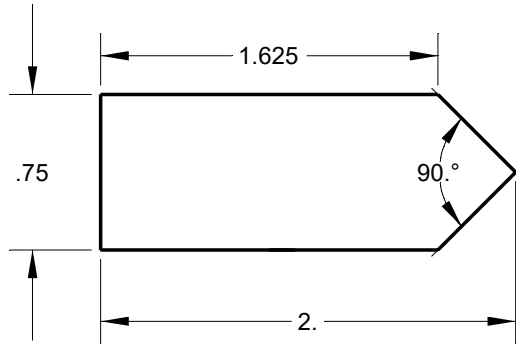
Unless Otherwise Specified: Dimensions in Inches Tolerances: Fractional ± Angular: Mach ± Bend ± Two Place Decimal ± Three Place Decimal ±	Name		Date		BootstrapCNC CNC Router 2015 Y Carriage Assembled					
	Drawn									
	Checked									
	ENG Appr.									
	MFR Appr.									
QA				Comments		Size	Drawing No.	Rev		
Material --		CAD Generated Drawing Do Not Manually Update				A	YCA	A		
Finish --						Scale	1:1	CAD File	Sheet	1 of 1
Do Not Scale Drawing										

Revisions			Date	Approved
Zone	Rev	Description		



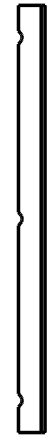
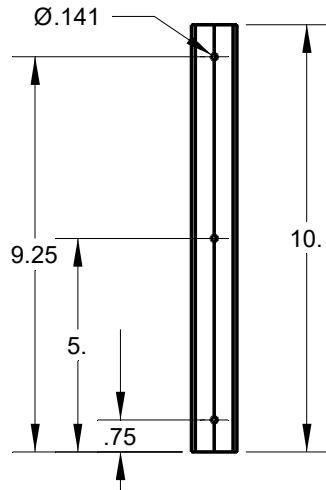
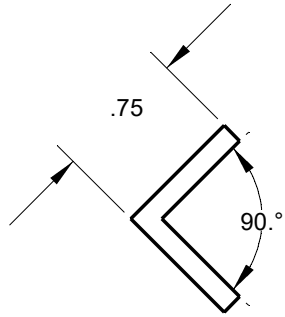
Unless Otherwise Specified: Dimensions in Inches Tolerances: Fractional ± Angular: Mach ± Bend ± Two Place Decimal ± Three Place Decimal ±	Drawn	Name	Date	BootstrapCNC CNC Router 2015 10 Inch Rail Block	
	Checked				
	ENG Appr.				
	MFR Appr.				
	QA				
	Comments	CAD Generated Drawing Do Not Manually Update			
Material	--	Size	Drawing No.		Rev
Finish	--	A	RB10		A
Do Not Scale Drawing	Scale	1:1	CAD File	Sheet	1 of 1

Revisions			Date	Approved
Zone	Rev	Description		



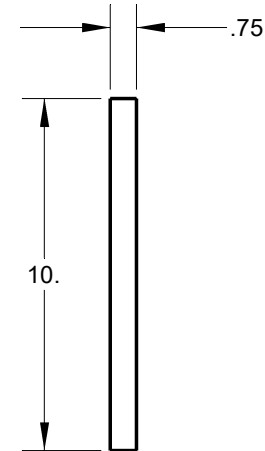
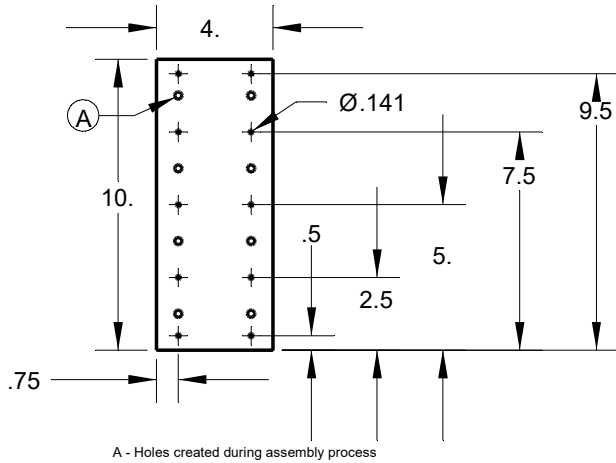
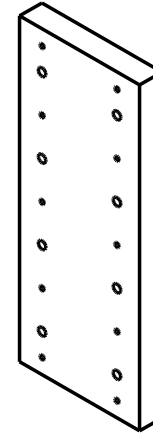
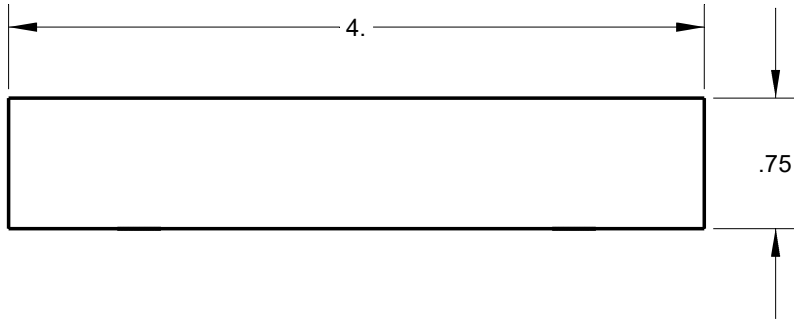
Unless Otherwise Specified: Dimensions in Inches Tolerances: Fractional ± Angular: Mach ± Bend ± Two Place Decimal ± Three Place Decimal ±		Name	Date	BootstrapCNC CNC Router 2015 10 Inch Slotted Rail Block		
	Drawn					
	Checked					
	ENG Appr.					
	MFR Appr.					
Material	--	Comments CAD Generated Drawing Do Not Manually Update		Size	Drawing No.	Rev
Finish	--			A	RBS10	A
Do Not Scale Drawing				Scale	1:1	CAD File

Revisions			Date	Approved
Zone	Rev	Description		



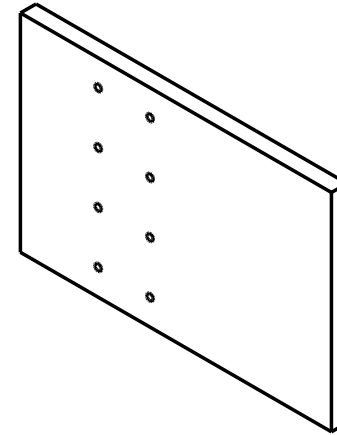
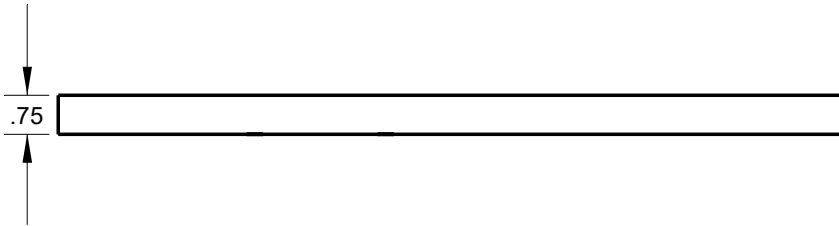
Unless Otherwise Specified: Dimensions in Inches Tolerances: Fractional ± Angular: Mach ± Bend ± Two Place Decimal ± Three Place Decimal ±	Drawn	Name	Date	BootstrapCNC CNC Router 2015 10 Inch Rail		
	Checked					
	ENG Appr.					
	MFR Appr.					
	QA					
Material --	Comments			Size	Drawing No.	Rev
Finish --	CAD Generated Drawing Do Not Manually Update			A	R10	A
Do Not Scale Drawing				Scale 1:1	CAD File	Sheet 1 of 1

Revisions			Date	Approved
Zone	Rev	Description		

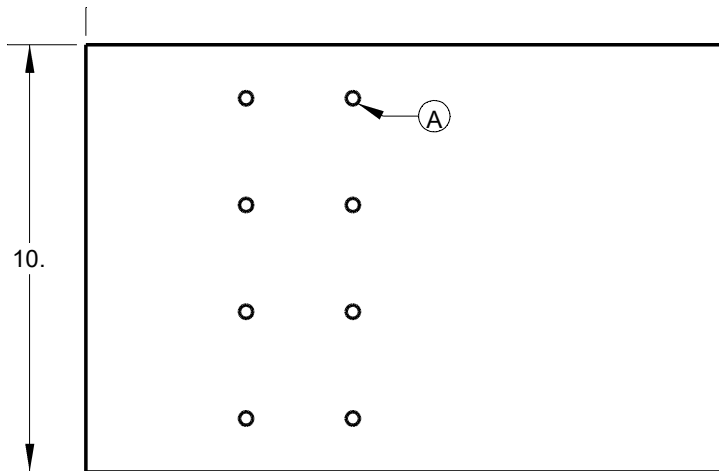


Unless Otherwise Specified: Dimensions in Inches Tolerances: Fractional ± Angular: Mach ± Bend ± Two Place Decimal ± Three Place Decimal ±	Name	Date	BootstrapCNC CNC Router 2015 10 Inch Dual Rail Spacer		
	Drawn				
	Checked				
	ENG Appr.				
	MFR Appr.				
	QA		Size	Drawing No.	Rev
Material --	Comments CAD Generated Drawing Do Not Manually Update		A	DRS10	A
Finish --			Scale 1:1	CAD File	Sheet 1 of 1
Do Not Scale Drawing					

Revisions			Date	Approved
Zone	Rev	Description		



15.

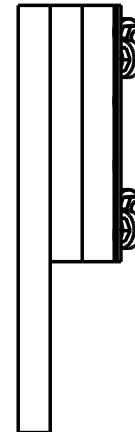
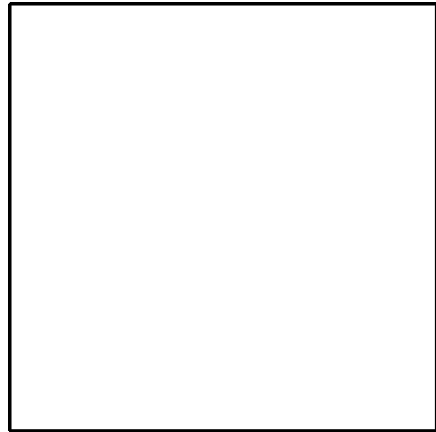
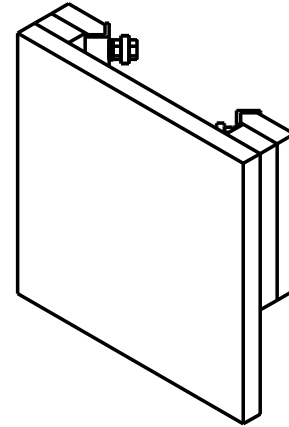
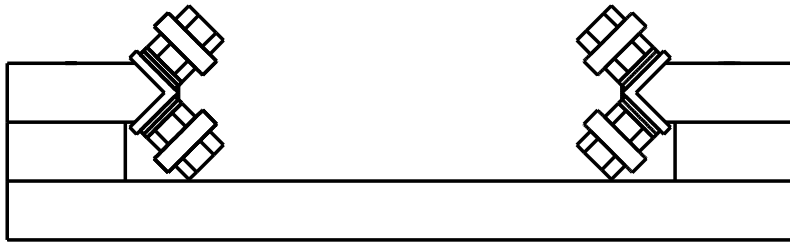


A - Holes created during assembly process



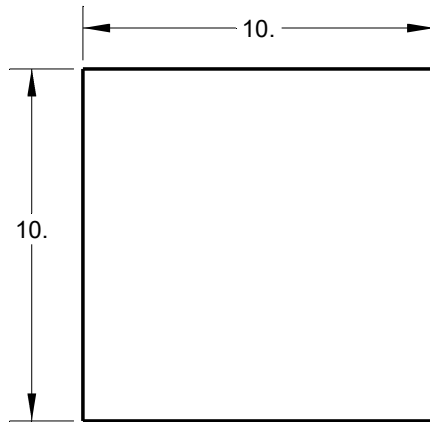
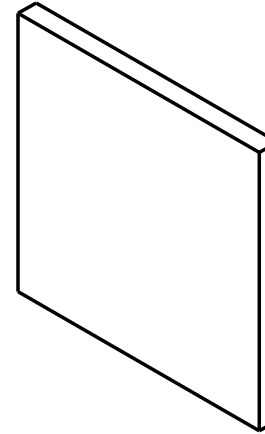
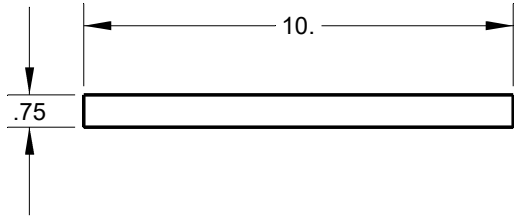
Unless Otherwise Specified: Dimensions in Inches Tolerances: Fractional ± Angular: Mach ± Bend ± Two Place Decimal ± Three Place Decimal ±	Drawn	Name	Date	BootstrapCNC CNC Router 2015 10 Inch Extended Carriage Plate		
	Checked					
	ENG Appr.					
	MFR Appr.					
	QA					
Material --	Comments CAD Generated Drawing Do Not Manually Update			Size	Drawing No.	Rev
Finish --				A	ECP10	A
Do Not Scale Drawing				Scale	1:1	CAD File

Revisions			Date	Approved
Zone	Rev	Description		



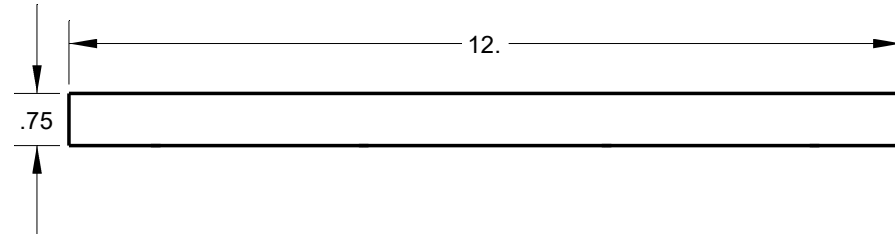
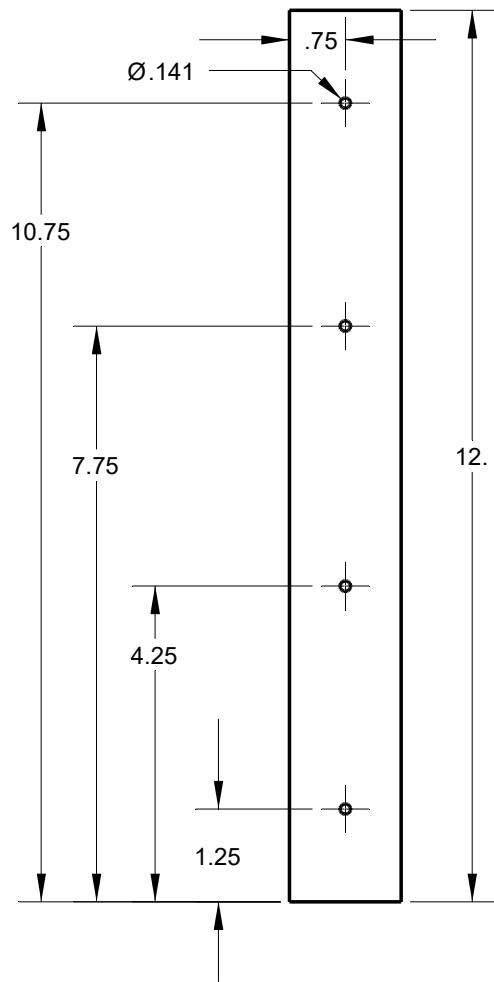
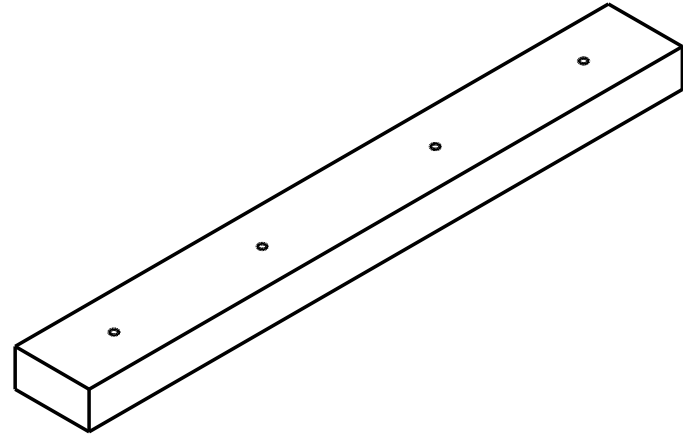
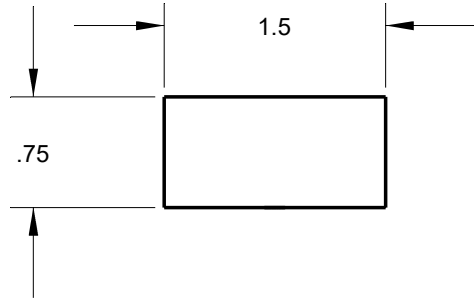
Unless Otherwise Specified: Dimensions in Inches Tolerances: Fractional ± Angular: Mach ± Bend ± Two Place Decimal ± Three Place Decimal ±	Drawn	Name	Date	BootstrapCNC CNC Router 2015 Z Carriage Assembly				
	Checked							
	ENG Appr.							
	MFR Appr.							
	QA							
	Comments	CAD Generated Drawing Do Not Manually Update			Size	Drawing No.	Rev	
Material --				A	ZCA	A		
Finish --				Scale	1:1	CAD File	Sheet	1 of 1
Do Not Scale Drawing								

Revisions			Date	Approved
Zone	Rev	Description		



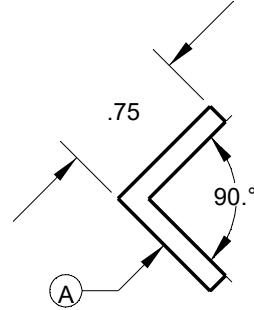
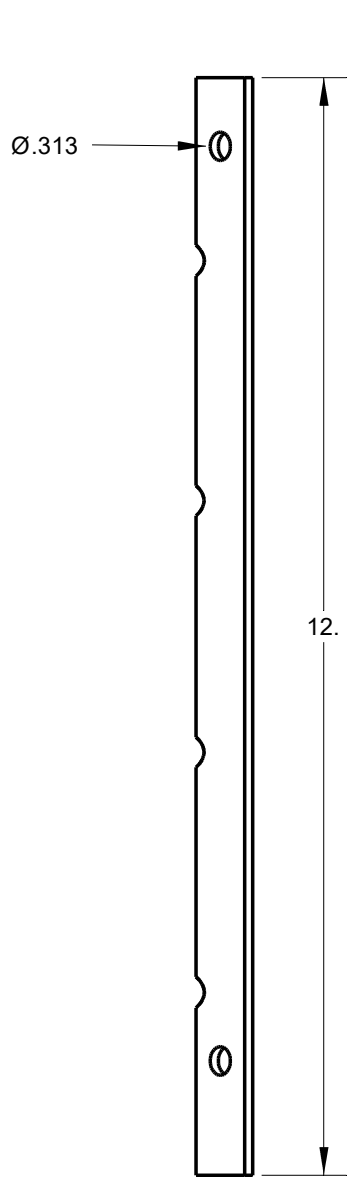
Unless Otherwise Specified: Dimensions in Inches Tolerances: Fractional ± Angular: Mach ± Bend ± Two Place Decimal ± Three Place Decimal ±	Drawn	Name	Date	BootstrapCNC CNC Router 2015 10 Inch Carriage Plate			
	Checked						
	ENG Appr.						
	MFR Appr.						
	QA						
Material --	Comments CAD Generated Drawing Do Not Manually Update			Size	Drawing No.	Rev	
Finish --				A	CP10	A	
Do Not Scale Drawing				Scale	1:1	CAD File	Sheet 1 of 1

Revisions			Date	Approved
Zone	Rev	Description		

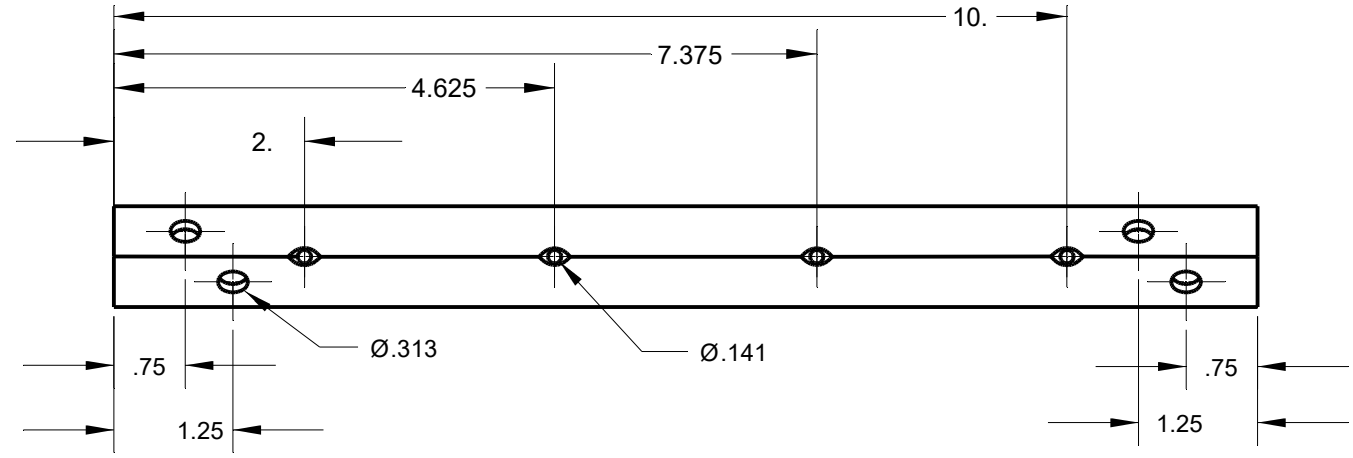
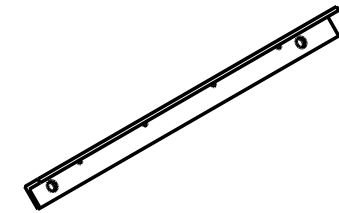


Unless Otherwise Specified: Dimensions in Inches Tolerances: Fractional ± Angular: Mach ± Bend ± Two Place Decimal ± Three Place Decimal ±	Drawn	Name	Date	BootstrapCNC CNC Router 2015 12 Inch Bearing Spacer				
	Checked							
	ENG Appr.							
	MFR Appr.							
	QA							
Material	Comments			Size	Drawing No.	Rev		
Finish	CAD Generated Drawing Do Not Manually Update			A	BS12	A		
Do Not Scale Drawing				Scale	1:1	CAD File	Sheet	1 of 1

Revisions			Date	Approved
Zone	Rev	Description		

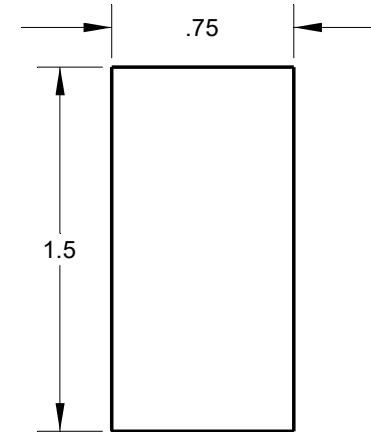
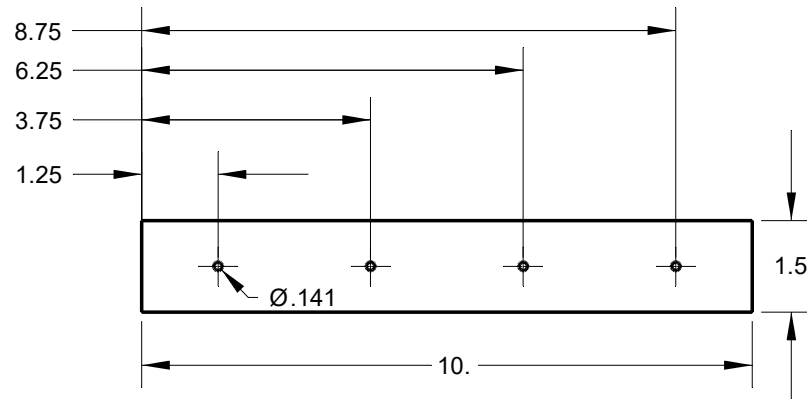
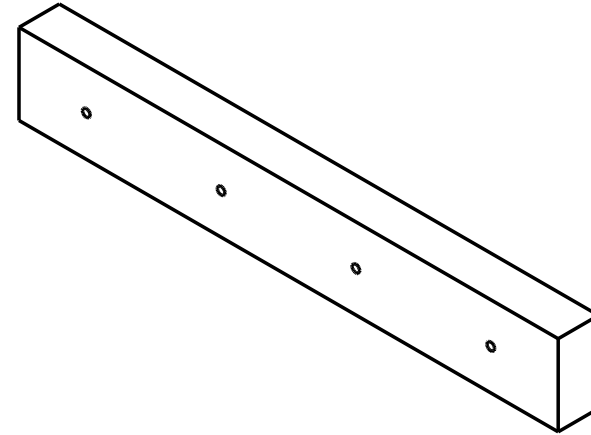
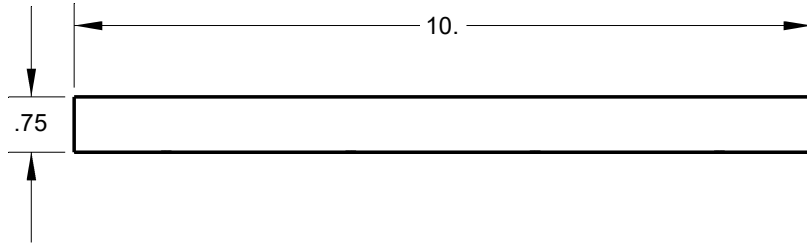


A - Bolt holes centered in angle (.375)



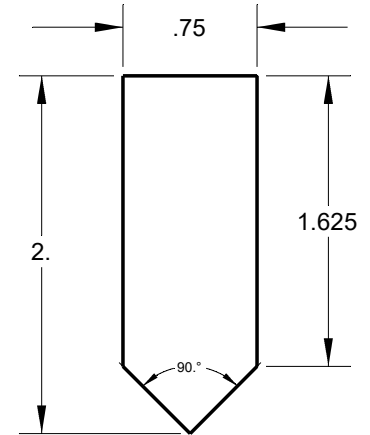
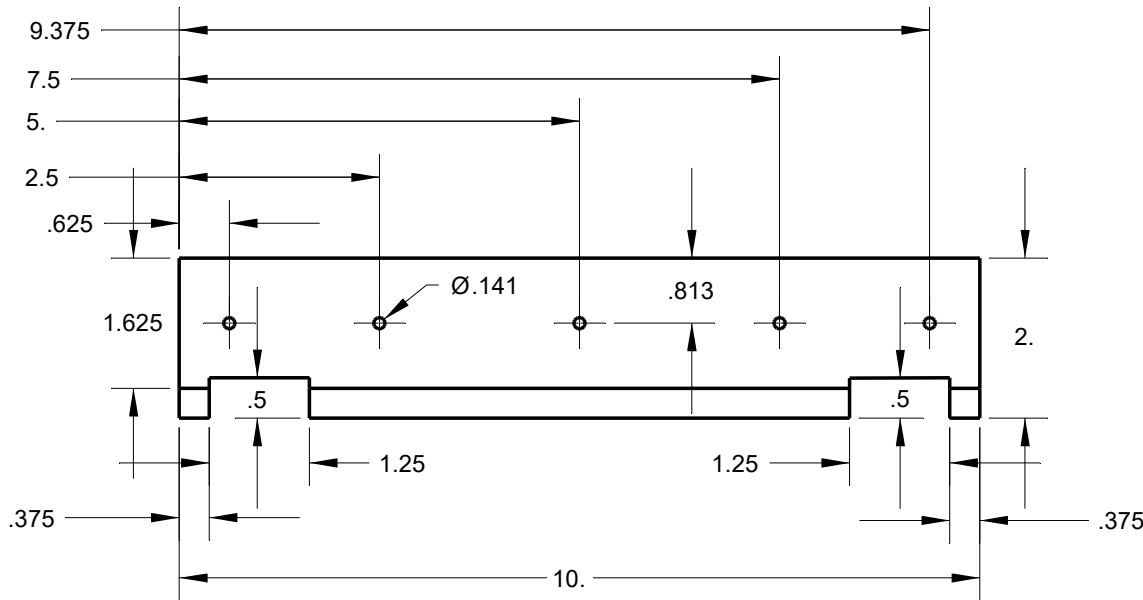
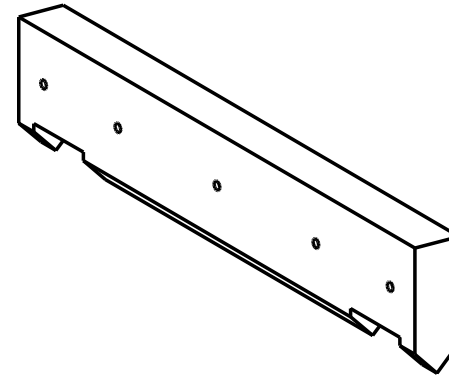
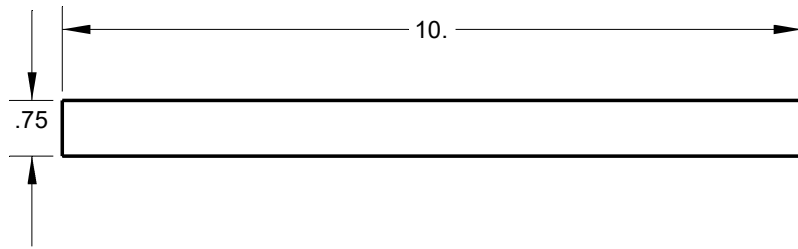
Unless Otherwise Specified: Dimensions in Inches Tolerances: Fractional ± Angular: Mach ± Bend ± Two Place Decimal ± Three Place Decimal ±	Name Date	BootstrapCNC CNC Router 2015 12 Inch Bearing Angle				
	Drawn					
	Checked					
	ENG Appr.					
	MFR Appr.					
QA	Comments	Size	Drawing No.	Rev		
Material --	CAD Generated Drawing Do Not Manually Update	A	BA12	A		
Finish --	Do Not Scale Drawing	Scale	1:1	CAD File	Sheet	1 of 1

Revisions			Date	Approved
Zone	Rev	Description		



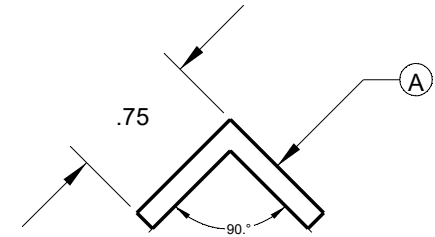
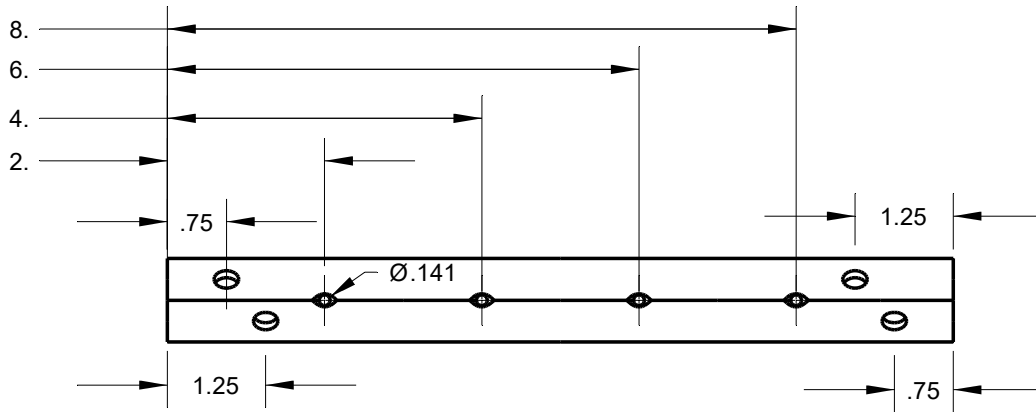
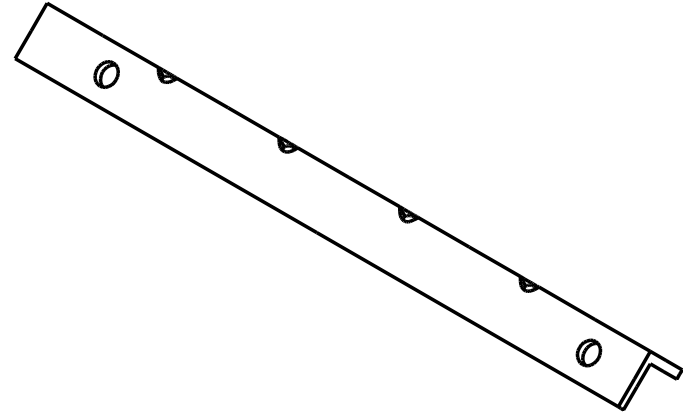
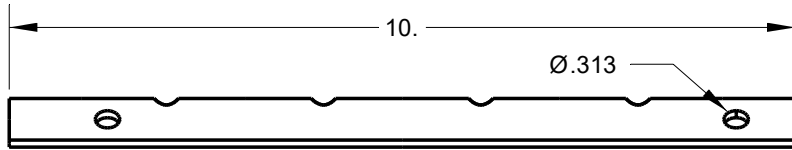
Unless Otherwise Specified: Dimensions in Inches Tolerances: Fractional \pm Angular: Mach \pm Bend \pm Two Place Decimal \pm Three Place Decimal \pm	Name		Date		BootstrapCNC CNC Router 2015 Y Bearing Spacer				
	Drawn								
	Checked								
	ENG Appr.								
	MFR Appr.								
Material	--		Comments		Size	Drawing No.			
Finish	--		CAD Generated Drawing Do Not Manually Update		A	BS10			
Do Not Scale Drawing					Scale	1:1	CAD File	Sheet	1 of 1

Revisions			Date	Approved
Zone	Rev	Description		



Unless Otherwise Specified: Dimensions in Inches Tolerances: Fractional ± Angular: Mach ± Bend ± Two Place Decimal ± Three Place Decimal ±	Drawn	Name	Date	BootstrapCNC CNC Router 2015 10 Inch Bearing Carrier	
	Checked				
	ENG Appr.				
	MFR Appr.				
	QA				
Material	Comments			Size	Drawing No.
Finish	CAD Generated Drawing Do Not Manually Update			A	BC10
Do Not Scale Drawing				Scale	Rev
				1:1	A
				CAD File	Sheet
					1 of 1

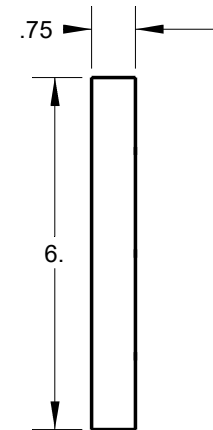
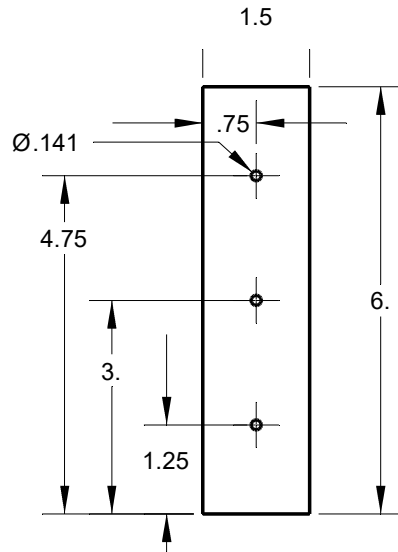
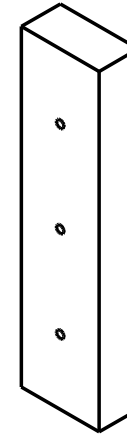
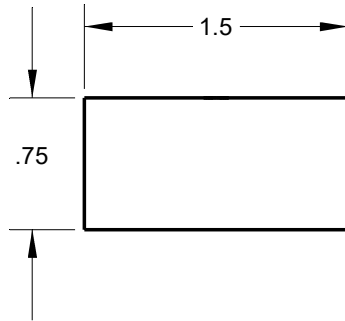
Revisions			Date	Approved
Zone	Rev	Description		



A - Bolt holes centered in angle (.375)

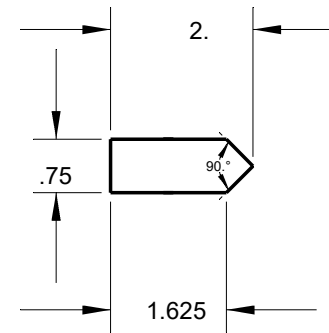
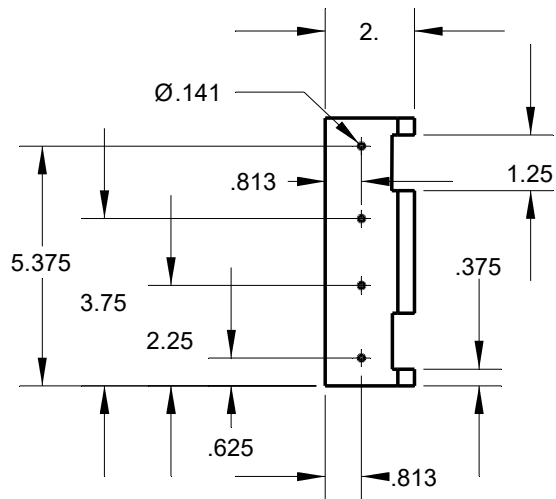
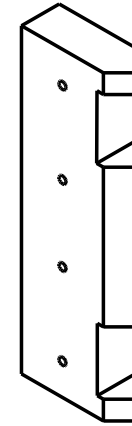
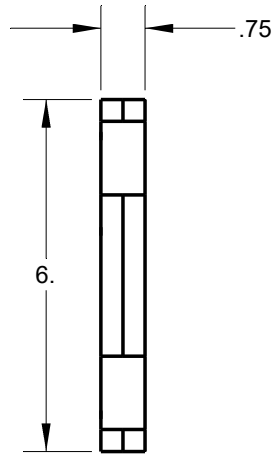
Unless Otherwise Specified: Dimensions in Inches Tolerances: Fractional \pm Angular: Mach \pm Bend \pm Two Place Decimal \pm Three Place Decimal \pm	Drawn	Name	Date	BootstrapCNC CNC Router 2015 10 Inch Bearing Angle				
	Checked							
	ENG Appr.							
	MFR Appr.							
	QA							
Material	Comments			Size	Drawing No.	Rev		
Finish	CAD Generated Drawing Do Not Manually Update			A	BA10	A		
Do Not Scale Drawing				Scale	1:1	CAD File	Sheet	1 of 1

Revisions			Date	Approved
Zone	Rev	Description		



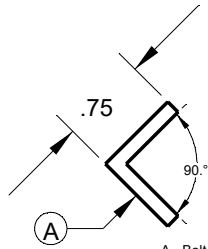
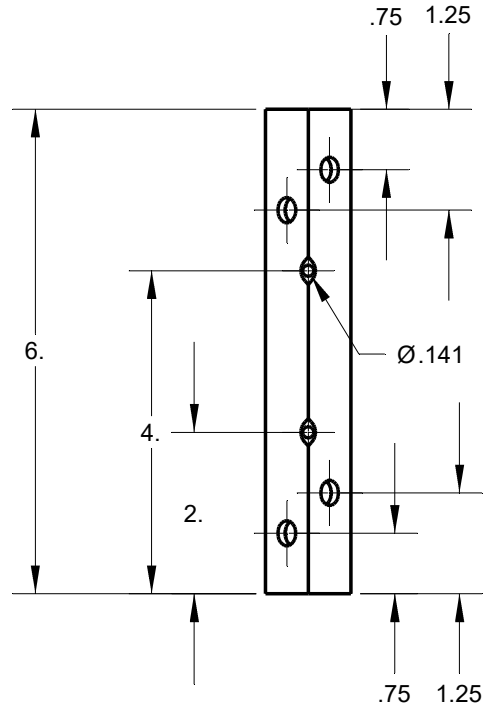
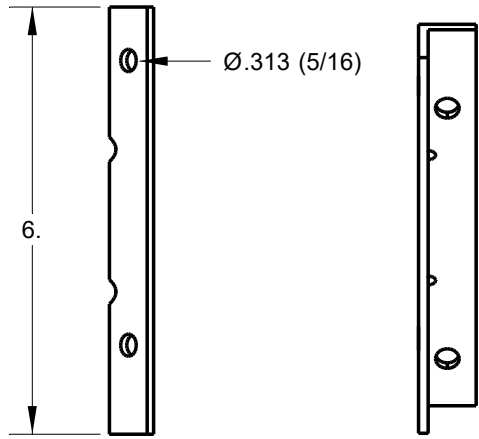
Unless Otherwise Specified: Dimensions in Inches Tolerances: Fractional ± Angular: Mach ± Bend ± Two Place Decimal ± Three Place Decimal ±	Drawn	Name	Date	BootstrapCNC CNC Router 2015 6 Inch Bearing Spacer		
	Checked					
	ENG Appr.					
	MFR Appr.					
	QA					
Material --	Comments			Size	Drawing No.	Rev
Finish --	CAD Generated Drawing Do Not Manually Update			A	BS6	A
Do Not Scale Drawing				Scale 1:1	CAD File	Sheet 1 of 1

Revisions			Date	Approved
Zone	Rev	Description		



Unless Otherwise Specified: Dimensions in Inches Tolerances: Fractional ± Angular: Mach ± Bend ± Two Place Decimal ± Three Place Decimal ±	Name		Date		BootstrapCNC CNC Router 2015 6 Inch Bearing Block			
	Drawn							
	Checked							
	ENG Appr.							
	MFR Appr.							
	QA				Size	Drawing No.	Rev	
Material	--	CAD Generated Drawing Do Not Manually Update		A	BC6	A		
Finish	--			Scale	1:1	CAD File	Sheet	1 of 1
Do Not Scale Drawing								

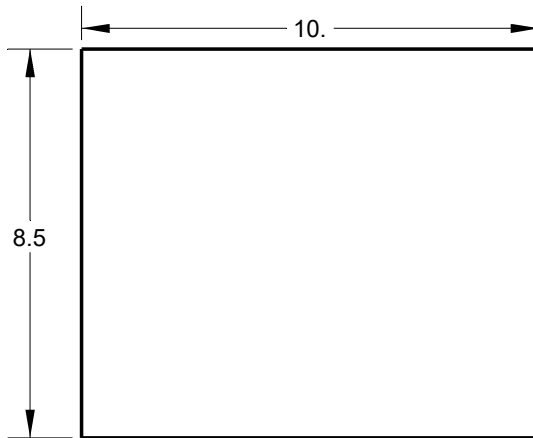
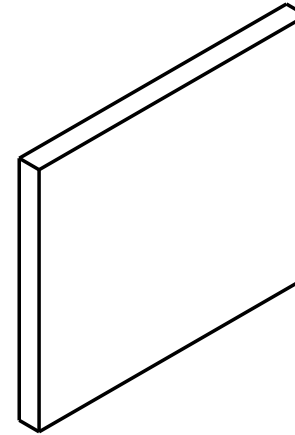
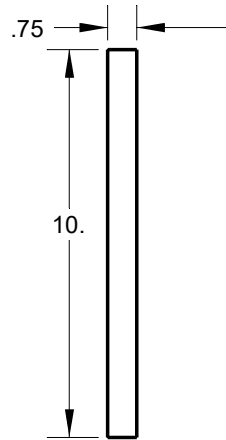
Revisions			Date	Approved
Zone	Rev	Description		



A - Bolt holes centered in angle

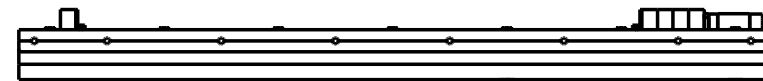
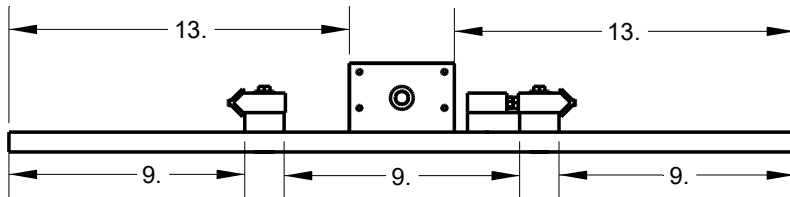
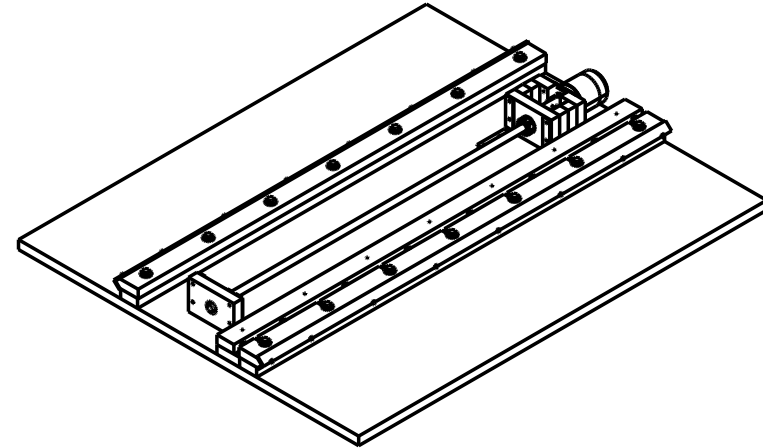
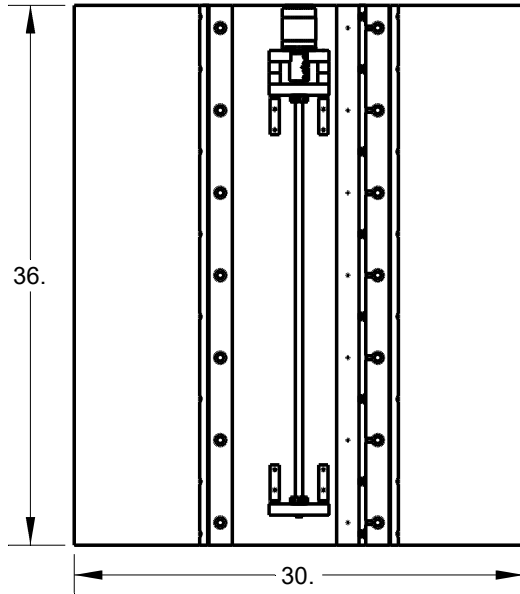
Unless Otherwise Specified:		Name	Date	BootstrapCNC		
Dimensions in Inches		Drawn				
Tolerances: Fractional ±		Checked		6 Inch Bearing Angle		
Angular: Mach ± Bend ±		ENG Appr.				
Two Place Decimal ±		MFR Appr.		Scale 1:1 CAD File Sheet 1 of 1		
Three Place Decimal ±		QA				
Material	--	Comments				
Finish	--					
Do Not Scale Drawing						

Revisions			Date	Approved
Zone	Rev	Description		



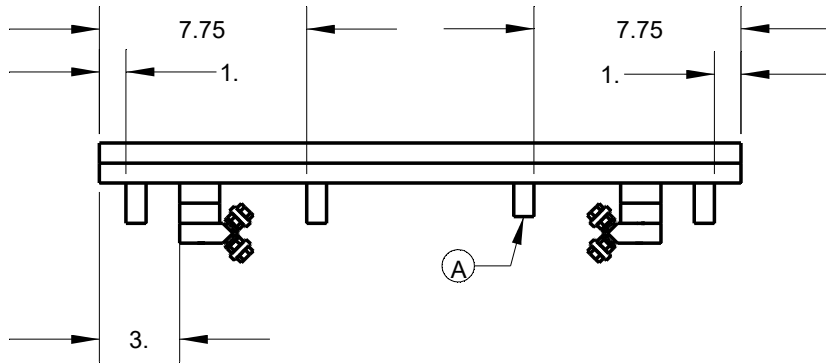
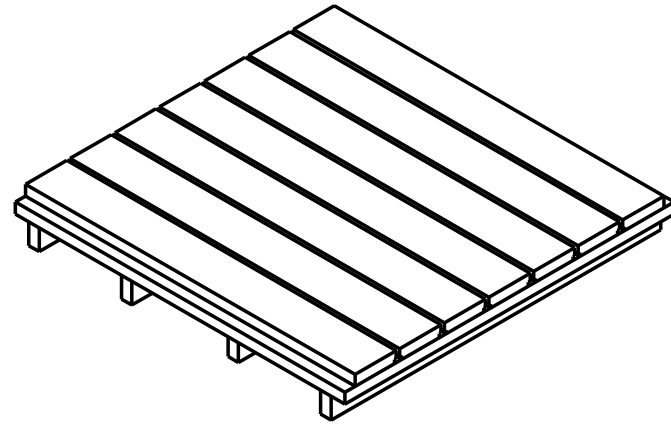
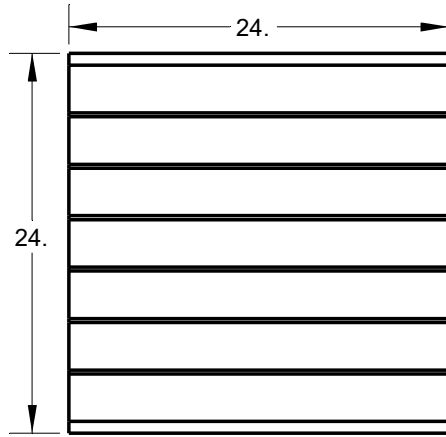
Unless Otherwise Specified: Dimensions in Inches Tolerances: Fractional ± Angular: Mach ± Bend ± Two Place Decimal ± Three Place Decimal ±	Drawn	Name	Date	BootstrapCNC CNC Router 2015 Moving Table - Gantry Legs
	Checked			
	ENG Appr.			
	MFR Appr.			
	QA			
	Comments			
Material --	CAD Generated Drawing Do Not Manually Update			Size A Drawing No. MTGL Rev A
Finish --				
Do Not Scale Drawing				Scale 1:1 CAD File Sheet 1 of 1

Revisions			Date	Approved
Zone	Rev	Description		

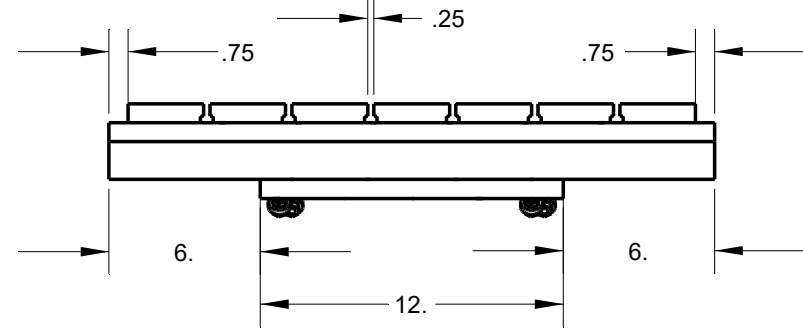


Unless Otherwise Specified: Dimensions in Inches Tolerances: Fractional ± Angular: Mach ± Bend ± Two Place Decimal ± Three Place Decimal ±	Drawn	Name	Date	BootstrapCNC CNC Router 2015 Moving Table - Base			
	Checked						
	ENG Appr.						
	MFR Appr.						
	QA						
Material	Comments CAD Generated Drawing Do Not Manually Update			Size	Drawing No.	Rev	
Finish				A	MTBA	A	
Do Not Scale Drawing				Scale	1:1	CAD File	Sheet 1 of 1

Revisions			Date	Approved
Zone	Rev	Description		



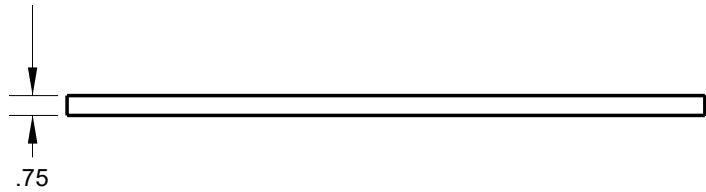
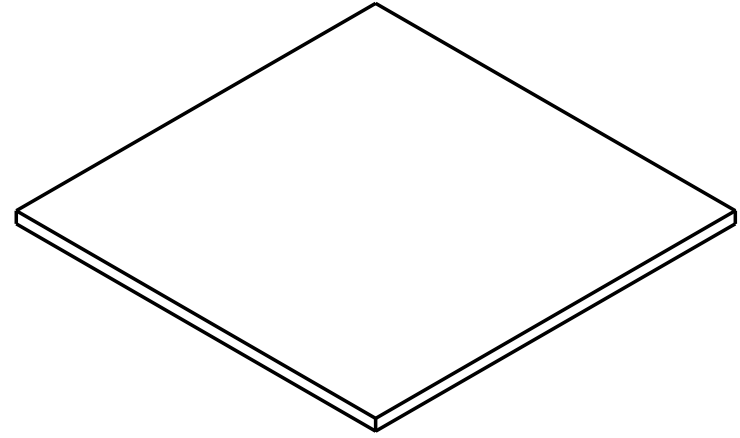
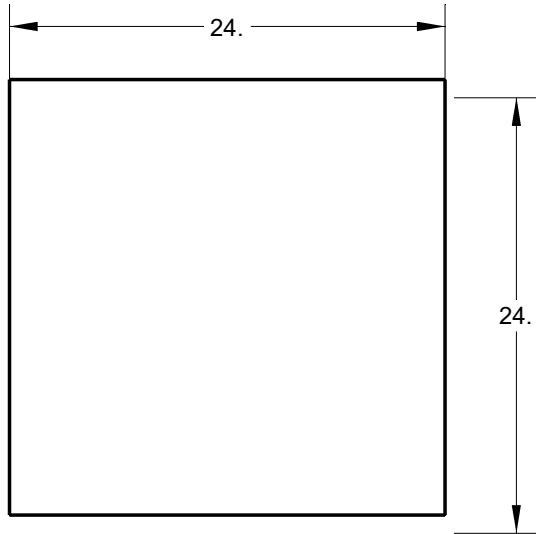
A - Support reduced by .25 for clearance



Unless Otherwise Specified: Dimensions in Inches Tolerances: Fractional ± Angular: Mach ± Bend ± Two Place Decimal ± Three Place Decimal ±	Drawn	Name	Date	BootstrapCNC CNC Router 2015 Moving Table Assembled		
	Checked					
	ENG Appr.					
	MFR Appr.					
	QA					
Material --	Comments CAD Generated Drawing Do Not Manually Update			Size	Drawing No.	Rev
Finish --				A	MTA	A
Do Not Scale Drawing				Scale	1:1	CAD File

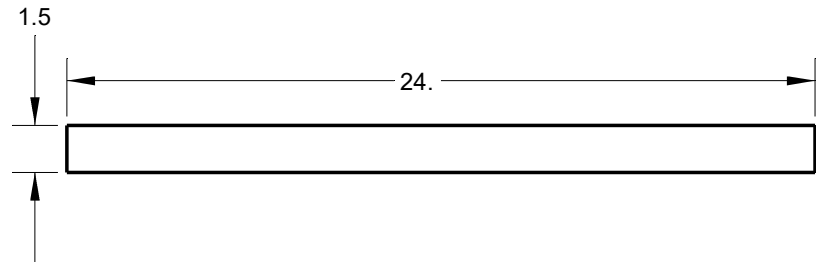
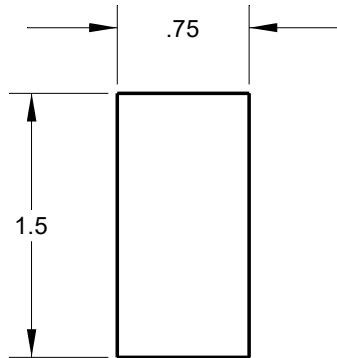
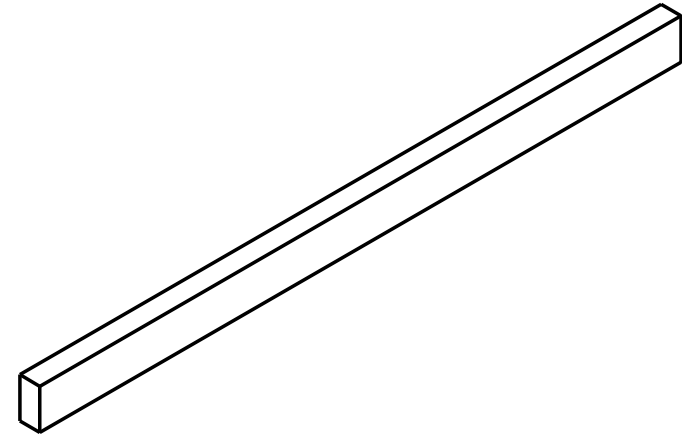
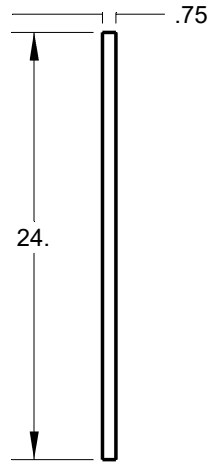
Revisions			Date	Approved
Zone	Rev	Description		

+



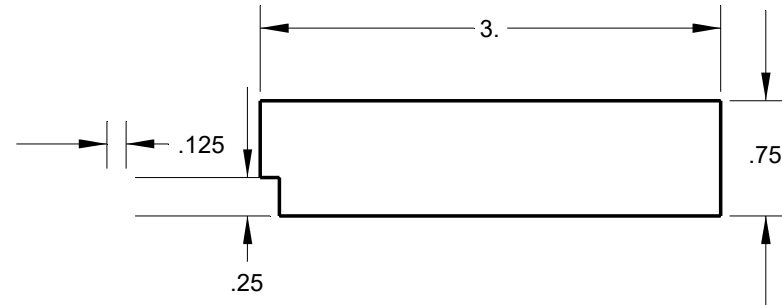
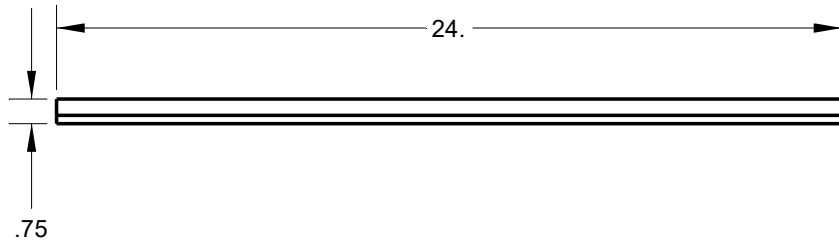
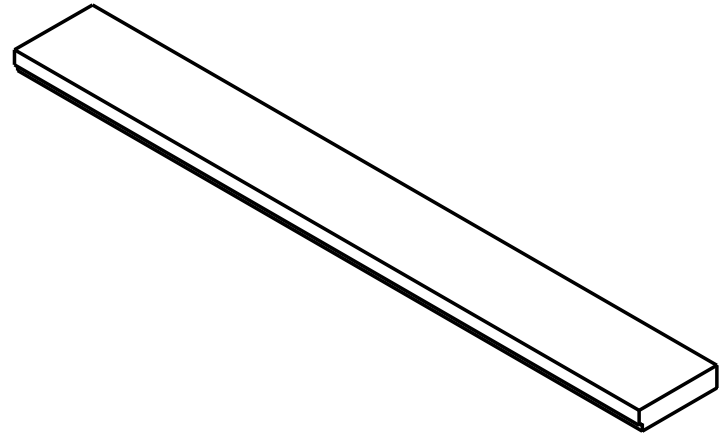
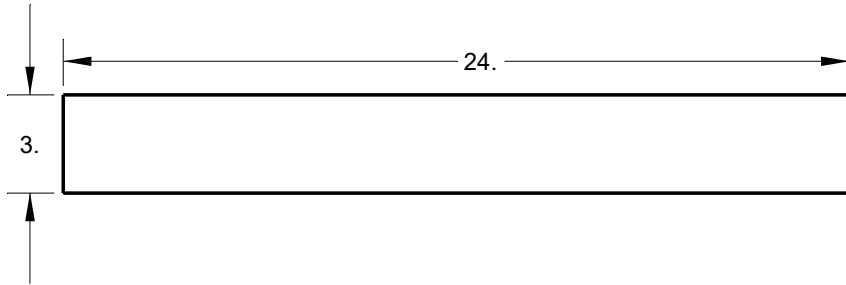
Unless Otherwise Specified: Dimensions in Inches Tolerances: Fractional ± Angular: Mach ± Bend ± Two Place Decimal ± Three Place Decimal ±	Drawn	Name	Date	BootstrapCNC CNC Router 2015 Moving Table			
	Checked						
	ENG Appr.						
	MFR Appr.						
	QA						
Material	Comments		Size	Drawing No.	Rev		
Finish	CAD Generated Drawing Do Not Manually Update		A	MT24	A		
Do Not Scale Drawing			Scale	1:1	CAD File	Sheet	1 of 1

Revisions			Date	Approved
Zone	Rev	Description		



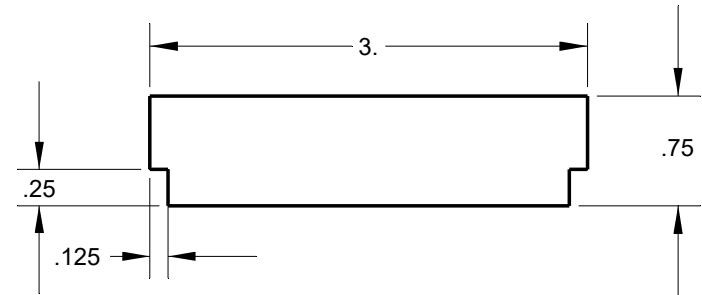
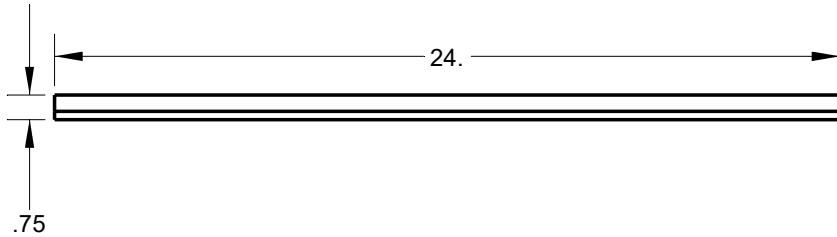
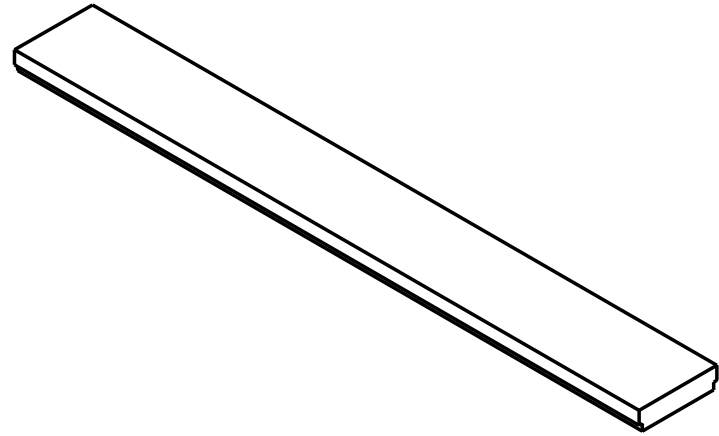
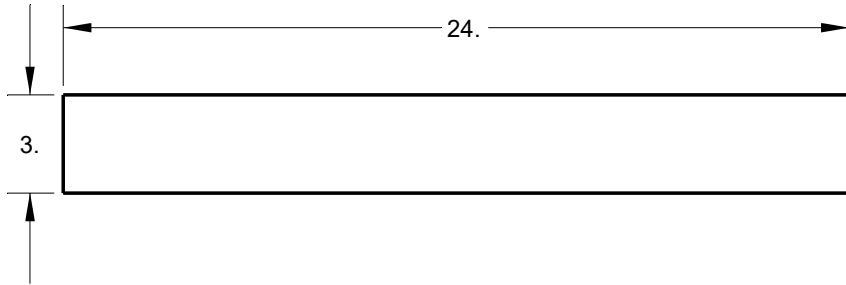
Unless Otherwise Specified: Dimensions in Inches Tolerances: Fractional ± Angular: Mach ± Bend ± Two Place Decimal ± Three Place Decimal ±		Name	Date	BootstrapCNC CNC Router 2015 Moving Table Support		
	Drawn					
	Checked					
	ENG Appr.					
	MFR Appr.					
	QA					
	Comments			Size	Drawing No.	Rev
Material	CAD Generated Drawing Do Not Manually Update			A	MTS	A
Finish				Scale	1:1	CAD File
Do Not Scale Drawing				Sheet	1 of 1	

Revisions			Date	Approved
Zone	Rev	Description		



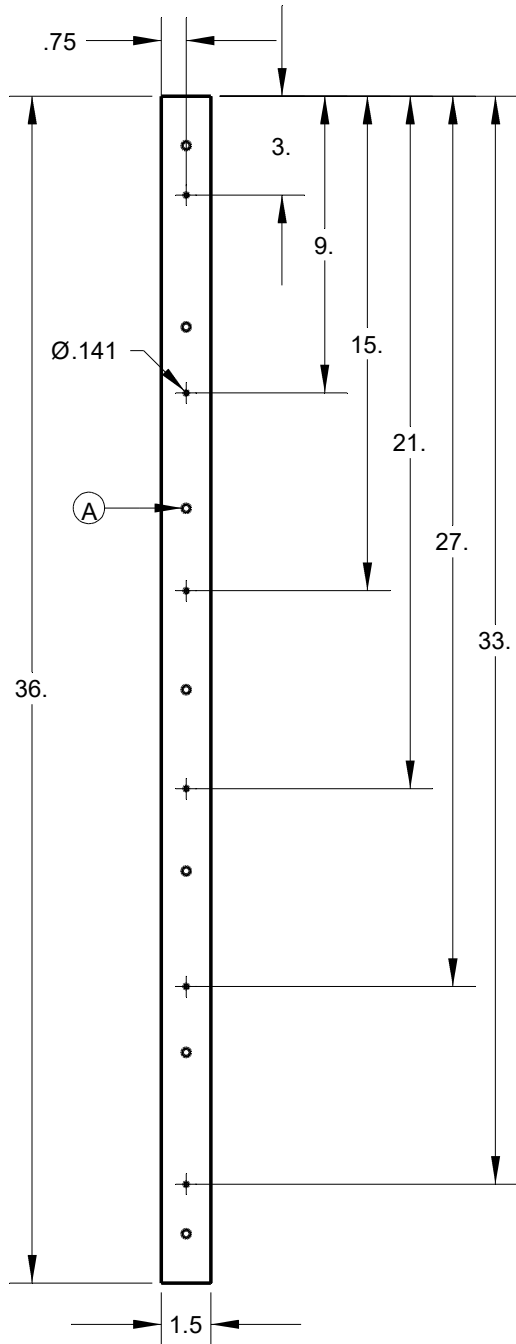
Unless Otherwise Specified: Dimensions in Inches Tolerances: Fractional ± Angular: Mach ± Bend ± Two Place Decimal ± Three Place Decimal ±		Name	Date	BootstrapCNC CNC Router 2015 24 Inch Table Slat (End)		
	Drawn					
	Checked					
	ENG Appr.					
	MFR Appr.					
	Comments CAD Generated Drawing Do Not Manually Update			Size	Drawing No.	Rev
Material				A	TSE24	A
Finish				Scale	1:1	CAD File
Do Not Scale Drawing				Sheet	1 of 1	

Revisions			Date	Approved
Zone	Rev	Description		

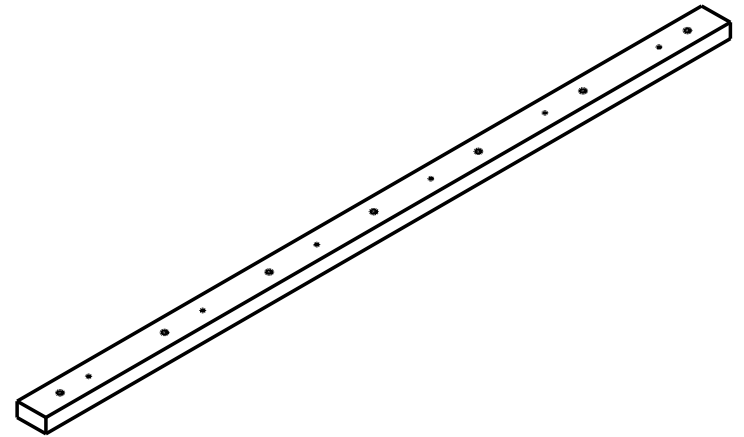
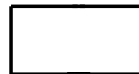


Unless Otherwise Specified: Dimensions in Inches Tolerances: Fractional ± Angular: Mach ± Bend ± Two Place Decimal ± Three Place Decimal ±	Drawn	Name	Date	BootstrapCNC CNC Router 2015 24 Inch Table Slat (Inner)				
	Checked							
	ENG Appr.							
	MFR Appr.							
	QA							
	Material	Comments CAD Generated Drawing Do Not Manually Update			Size	Drawing No.	Rev	
Finish				A	TS24	A		
Do Not Scale Drawing				Scale	1:1	CAD File	Sheet	1 of 1

Revisions			Date	Approved
Zone	Rev	Description		

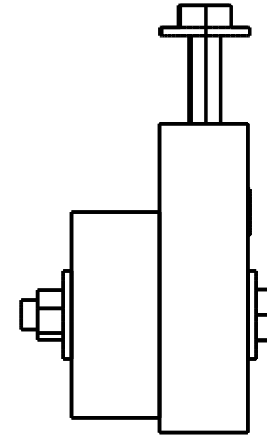
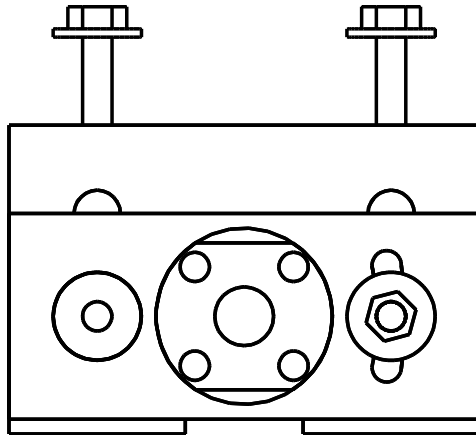
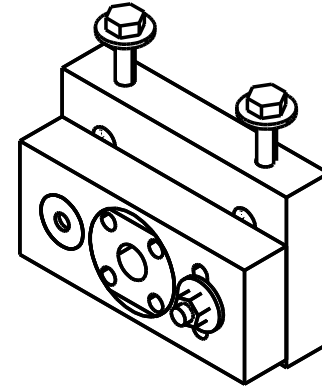
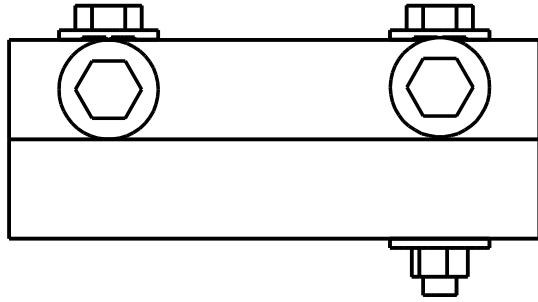


A - Holes created during assembly process



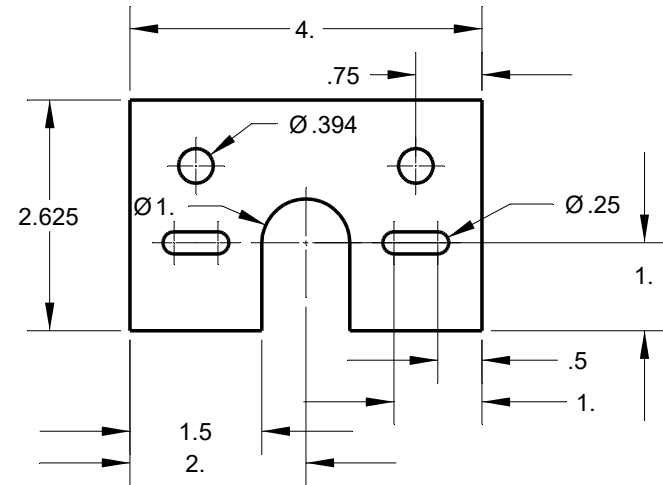
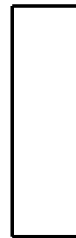
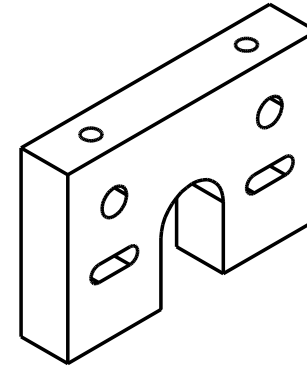
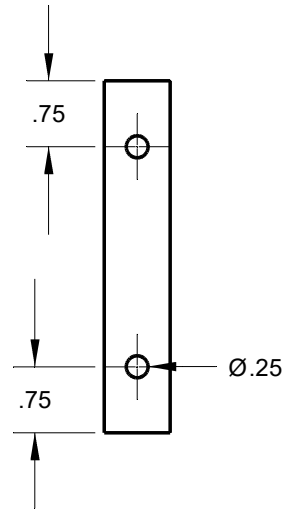
Unless Otherwise Specified: Dimensions in Inches Tolerances: Fractional ± Angular: Mach ± Bend ± Two Place Decimal ± Three Place Decimal ±		Name	Date	BootstrapCNC CNC Router 2015 36 Inch Rail Spacer	
Material	--	Drawn			
Finish	--	Checked			
Do Not Scale Drawing		ENG Appr.			
		MFR Appr.			
		QA		Size	
		Comments	CAD Generated Drawing Do Not Manually Update		Drawing No.
				A	RS36
				Scale	Rev
				1:1	A
				CAD File	Sheet
					1 of 1

Revisions			Date	Approved
Zone	Rev	Description		



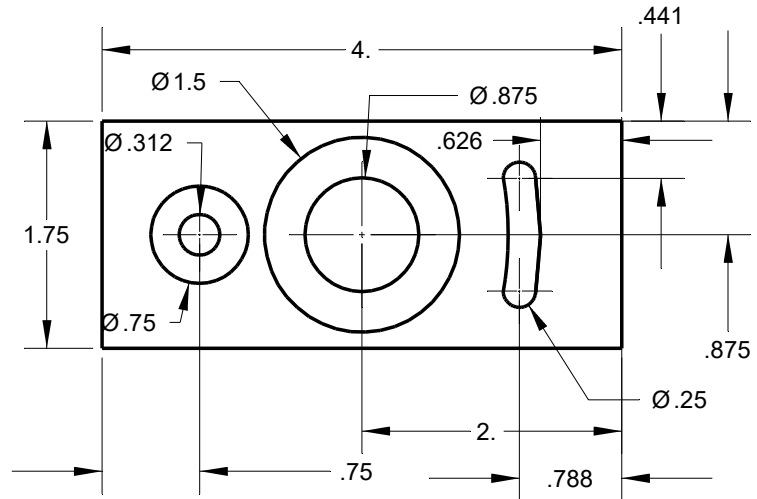
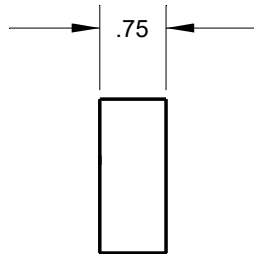
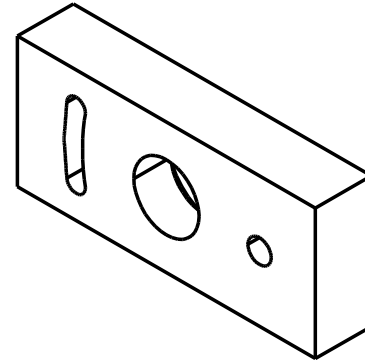
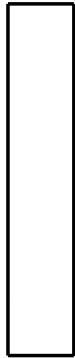
Unless Otherwise Specified: Dimensions in Inches Tolerances: Fractional ± Angular: Mach ± Bend ± Two Place Decimal ± Three Place Decimal ±	Drawn	Name	Date	BootstrapCNC CNC Router 2015 Leadnut Carrier Assembly			
	Checked						
	ENG Appr.						
	MFR Appr.						
	QA						
Material	Comments CAD Generated Drawing Do Not Manually Update			Size	Drawing No.	Rev	
Finish				A	LCA	A	
Do Not Scale Drawing				Scale	1:1	CAD File	Sheet 1 of 1

Revisions			Date	Approved
Zone	Rev	Description		



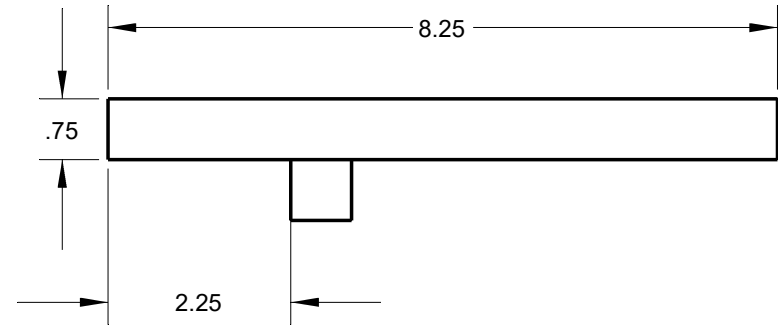
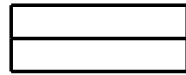
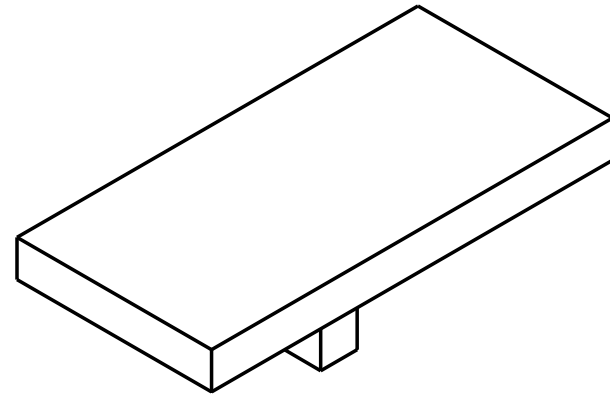
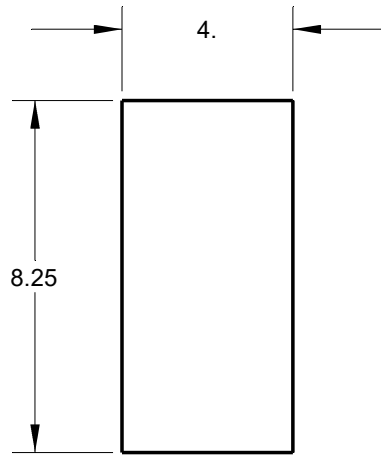
Unless Otherwise Specified: Dimensions in Inches Tolerances: Fractional ± Angular: Mach ± Bend ± Two Place Decimal ± Three Place Decimal ±	Name		Date		BootstrapCNC CNC Router 2015 Leadnut Block Mount						
	Drawn										
	Checked										
	ENG Appr.										
	MFR Appr.										
QA				Size		Drawing No.		Rev			
Material		--		A		LBM		A			
Finish		--		Scale		1:1		CAD File		Sheet 1 of 1	
Do Not Scale Drawing				Comments		CAD Generated Drawing Do Not Manually Update					

Revisions			Date	Approved
Zone	Rev	Description		



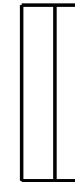
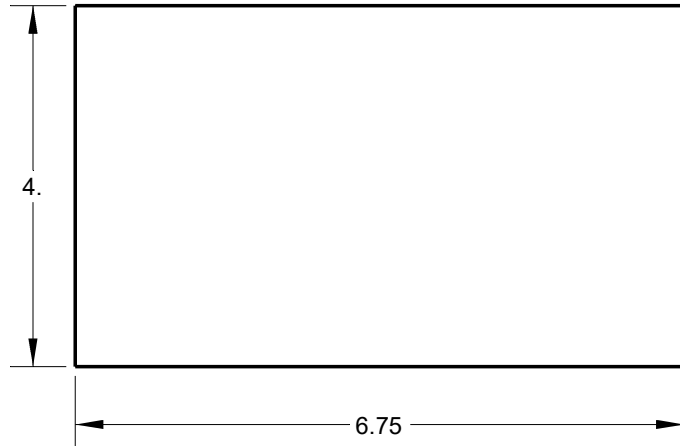
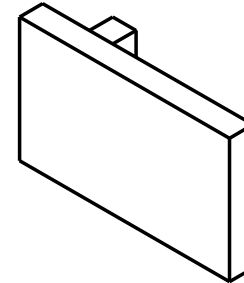
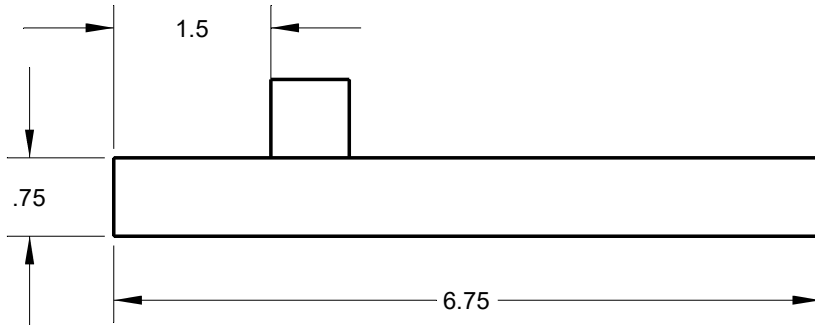
Unless Otherwise Specified: Dimensions in Inches Tolerances: Fractional ± Angular: Mach ± Bend ± Two Place Decimal ± Three Place Decimal ±	Name		Date		BootstrapCNC CNC Router 2015 Leadnut Block				
	Drawn								
	Checked								
	ENG Appr.								
	MFR Appr.								
QA					Size	Drawing No.	Rev		
Material	--	Comments CAD Generated Drawing Do Not Manually Update			A	LB	A		
Finish	--								
Do Not Scale Drawing									
					Scale	1:1	CAD File	Sheet	1 of 1

Revisions			Date	Approved
Zone	Rev	Description		



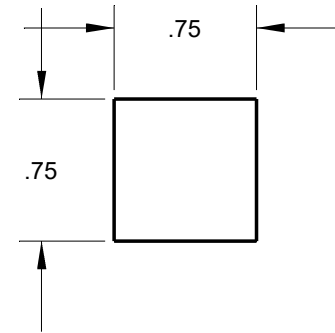
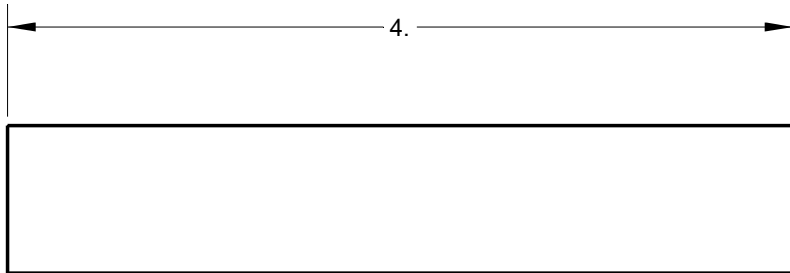
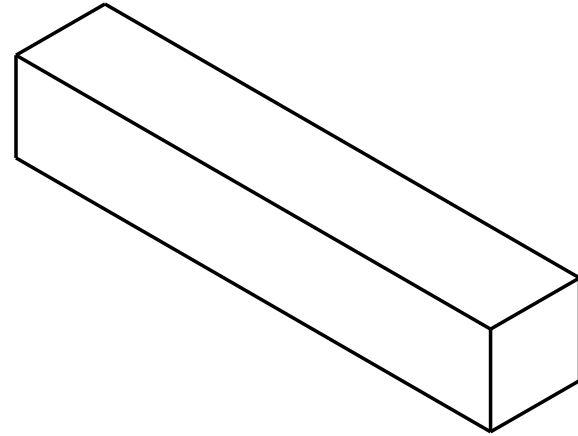
Unless Otherwise Specified: Dimensions in Inches Tolerances: Fractional ± Angular: Mach ± Bend ± Two Place Decimal ± Three Place Decimal ±	Drawn	Name	Date	BootstrapCNC CNC Router 2015 Y Drive Plate				
	Checked							
	ENG Appr.							
	MFR Appr.							
	QA							
Material	Comments CAD Generated Drawing Do Not Manually Update			Size	Drawing No.	Rev		
Finish				A	YDP	A		
Do Not Scale Drawing				Scale	1:1	CAD File	Sheet	1 of 1

Revisions			Date	Approved
Zone	Rev	Description		



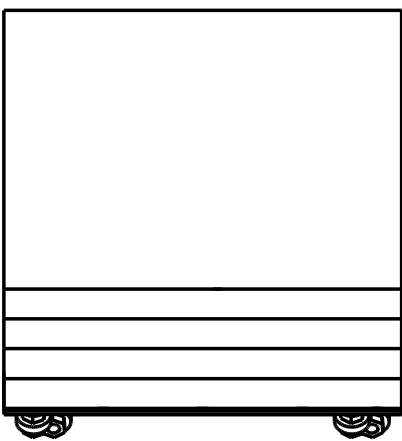
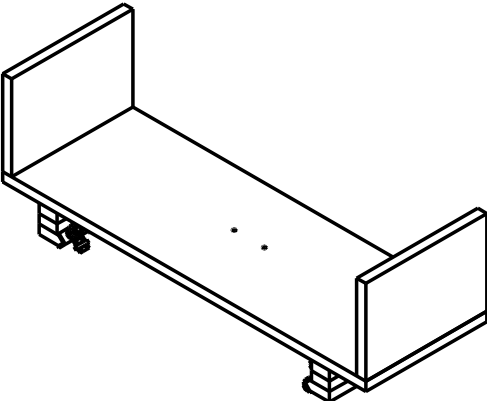
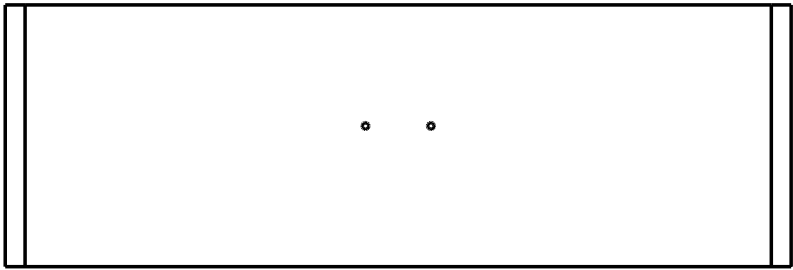
Unless Otherwise Specified: Dimensions in Inches Tolerances: Fractional ± Angular: Mach ± Bend ± Two Place Decimal ± Three Place Decimal ±	Drawn	Name	Date	BootstrapCNC CNC Router 2015 Z Drive Plate				
	Checked							
	ENG Appr.							
	MFR Appr.							
	QA							
	Comments	CAD Generated Drawing Do Not Manually Update			Size	Drawing No.	Rev	
Material --				A	ZDP	A		
Finish --				Scale	1:1	CAD File	Sheet	1 of 1
Do Not Scale Drawing								

Revisions			Date	Approved
Zone	Rev	Description		



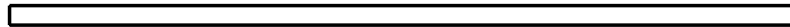
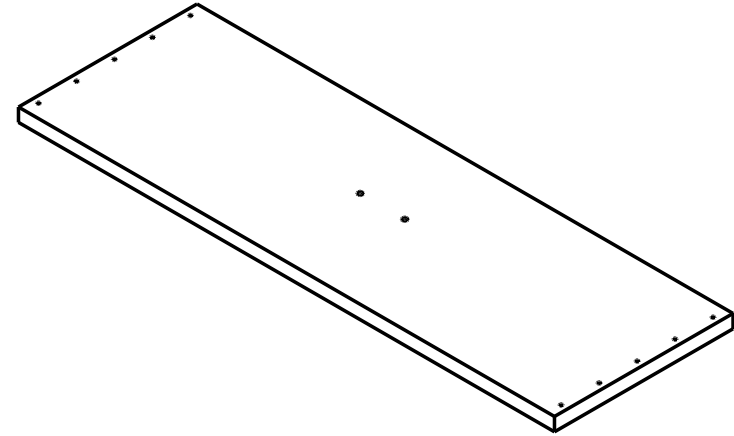
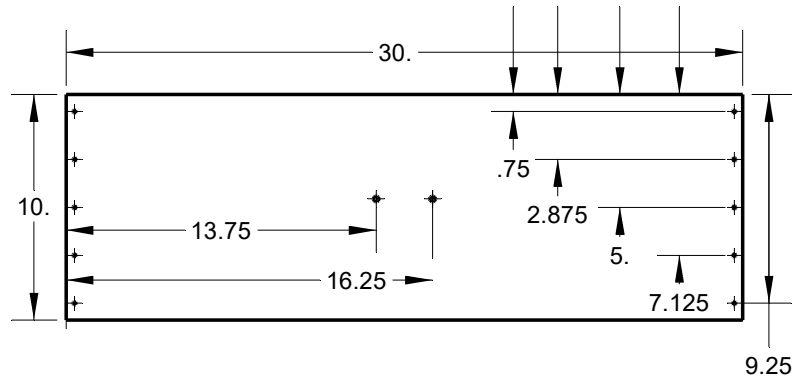
Unless Otherwise Specified: Dimensions in Inches Tolerances: Fractional ± Angular: Mach ± Bend ± Two Place Decimal ± Three Place Decimal ±	<table border="1"> <thead> <tr> <th>Name</th> <th>Date</th> </tr> </thead> <tbody> <tr> <td>Drawn</td> <td></td> </tr> <tr> <td>Checked</td> <td></td> </tr> <tr> <td>ENG Appr.</td> <td></td> </tr> <tr> <td>MFR Appr.</td> <td></td> </tr> <tr> <td>QA</td> <td></td> </tr> </tbody> </table>	Name	Date	Drawn		Checked		ENG Appr.		MFR Appr.		QA		BootstrapCNC CNC Router 2015 Drive Plate Brace		
	Name	Date														
	Drawn															
	Checked															
	ENG Appr.															
MFR Appr.																
QA																
Comments CAD Generated Drawing Do Not Manually Update	Size A	Drawing No. DPB	Rev A													
Material --	Scale 1:1 CAD File Sheet 1 of 1															
Finish --																
Do Not Scale Drawing																

Revisions			Date	Approved
Zone	Rev	Description		



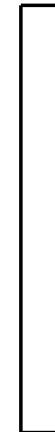
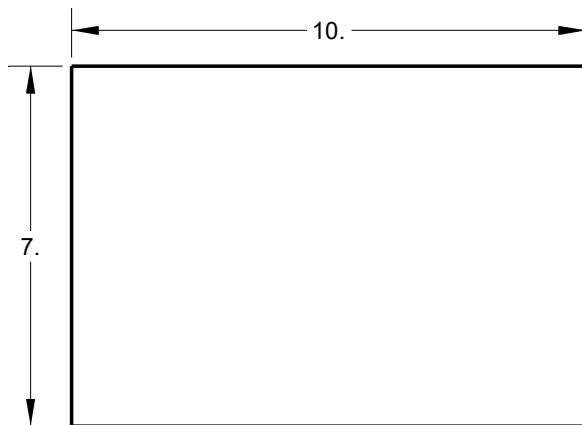
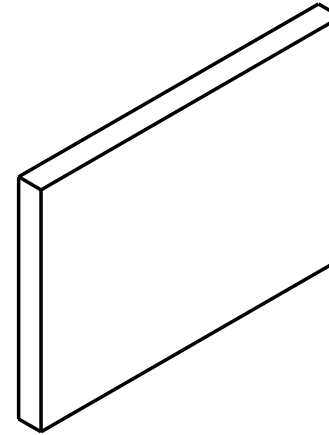
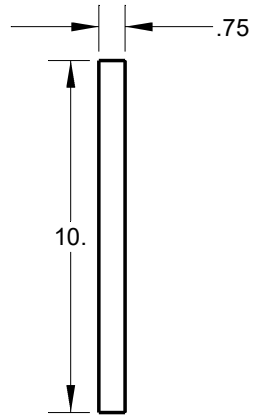
Unless Otherwise Specified: Dimensions in Inches Tolerances: Fractional ± Angular: Mach ± Bend ± Two Place Decimal ± Three Place Decimal ±		Name	Date	BootstrapCNC CNC Router 2015 Flying Gantry Carriage Assembly				
	Drawn							
	Checked							
	ENG Appr.							
	MFR Appr.							
	QA			Size	Drawing No.	Rev		
Material	--	Comments CAD Generated Drawing Do Not Manually Update		A	FGCA	A		
Finish	--			Scale	1:1	CAD File	Sheet	1 of 1
Do Not Scale Drawing								

Revisions			Date	Approved
Zone	Rev	Description		



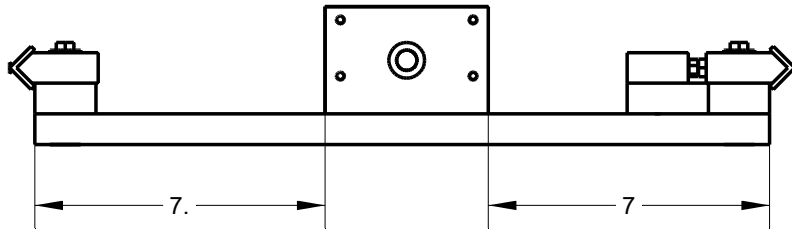
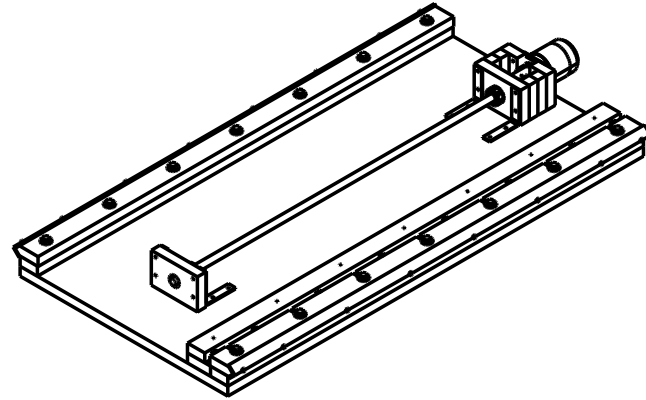
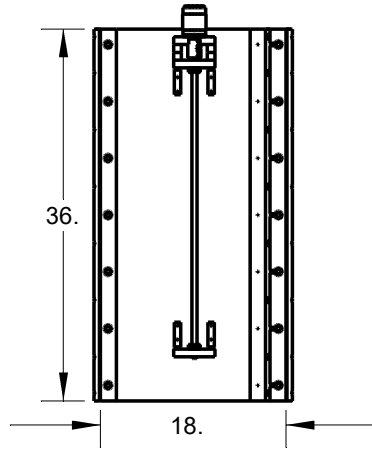
Unless Otherwise Specified: Dimensions in Inches Tolerances: Fractional ± Angular: Mach ± Bend ± Two Place Decimal ± Three Place Decimal ±	Drawn	Name	Date	BootstrapCNC CNC Router 2015 30 Inch Flying Gantry Carriage Plate				
	Checked							
	ENG Appr.							
	MFR Appr.							
	QA							
Material	Comments			Size	Drawing No.	Rev		
Finish	CAD Generated Drawing Do Not Manually Update			A	FGCP30	A		
Do Not Scale Drawing				Scale	1:1	CAD File	Sheet	1 of 1

Revisions			Date	Approved
Zone	Rev	Description		



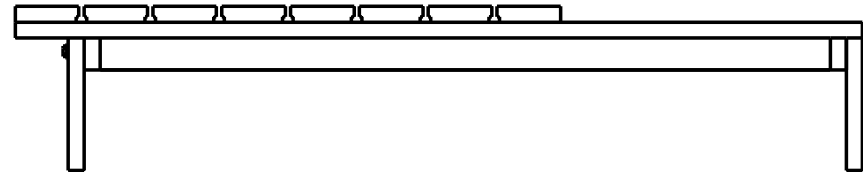
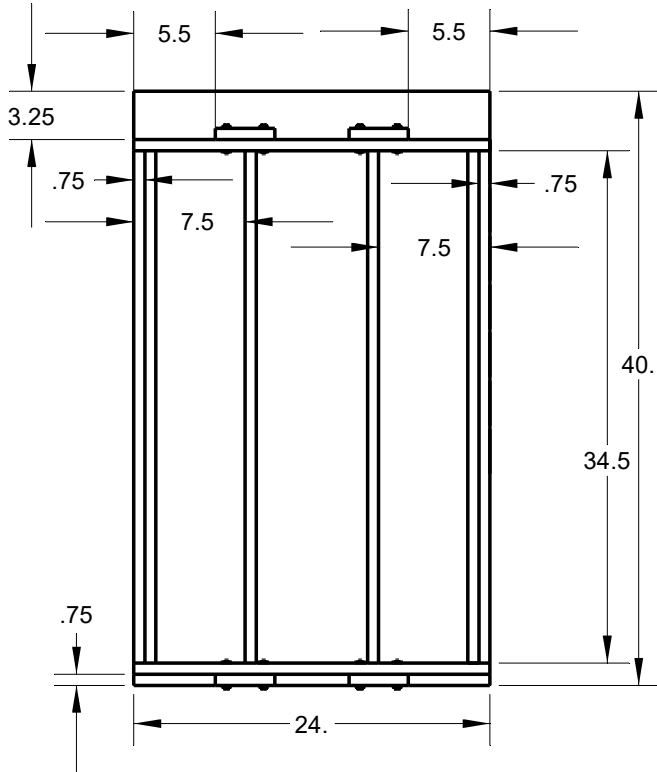
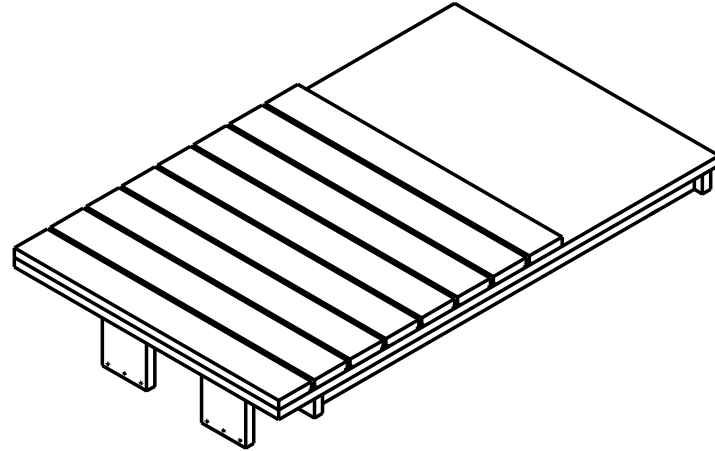
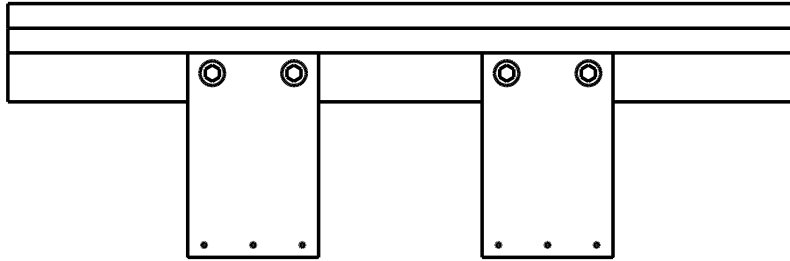
Unless Otherwise Specified: Dimensions in Inches Tolerances: Fractional ± Angular: Mach ± Bend ± Two Place Decimal ± Three Place Decimal ±	Drawn	Name	Date	BootstrapCNC CNC Router 2015 Flying Gantry Legs		
	Checked					
	ENG Appr.					
	MFR Appr.					
	QA					
Material --	Comments			Size	Drawing No.	Rev
Finish --	CAD Generated Drawing Do Not Manually Update			A	FGL	A
Do Not Scale Drawing				Scale	1:1	Sheet 1 of 1

Revisions			Date	Approved
Zone	Rev	Description		



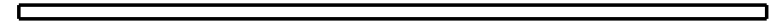
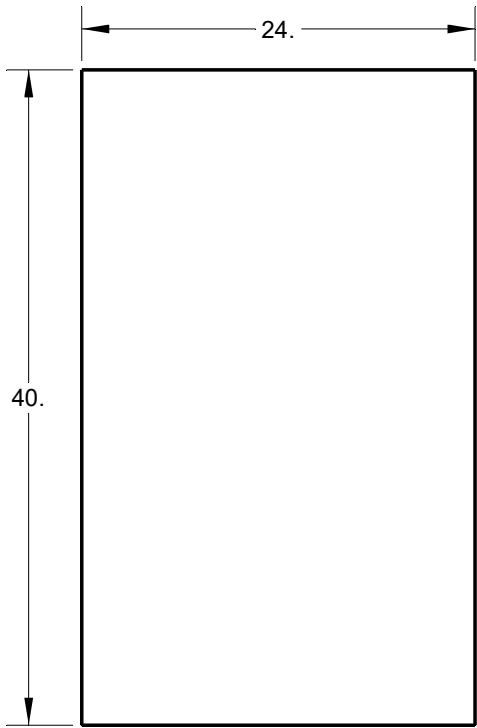
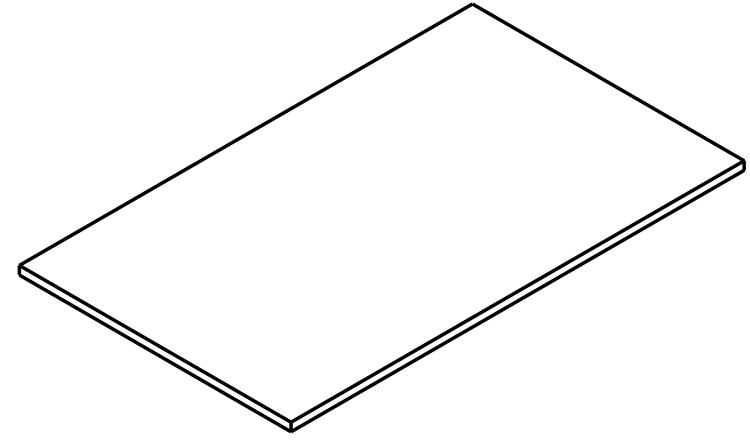
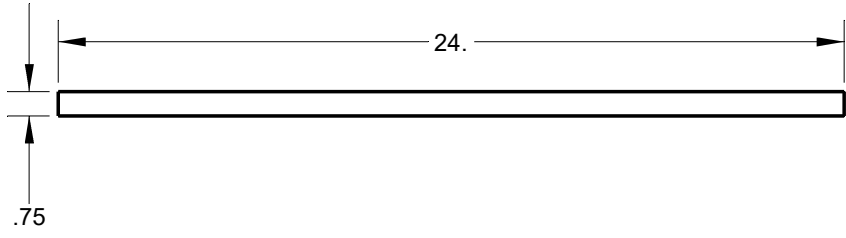
Unless Otherwise Specified: Dimensions in Inches Tolerances: Fractional ± Angular: Mach ± Bend ± Two Place Decimal ± Three Place Decimal ±	Drawn	Name	Date	BootstrapCNC CNC Router 2015 Flying Gantry Base			
	Checked						
	ENG Appr.						
	MFR Appr.						
	QA						
Material	--	Comments		Size	Drawing No.	Rev	
Finish	--	CAD Generated Drawing Do Not Manually Update		A	BFGA	A	
Do Not Scale Drawing				Scale	1:1	CAD File	Sheet 1 of 1

Revisions			Date	Approved
Zone	Rev	Description		



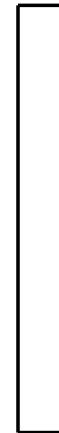
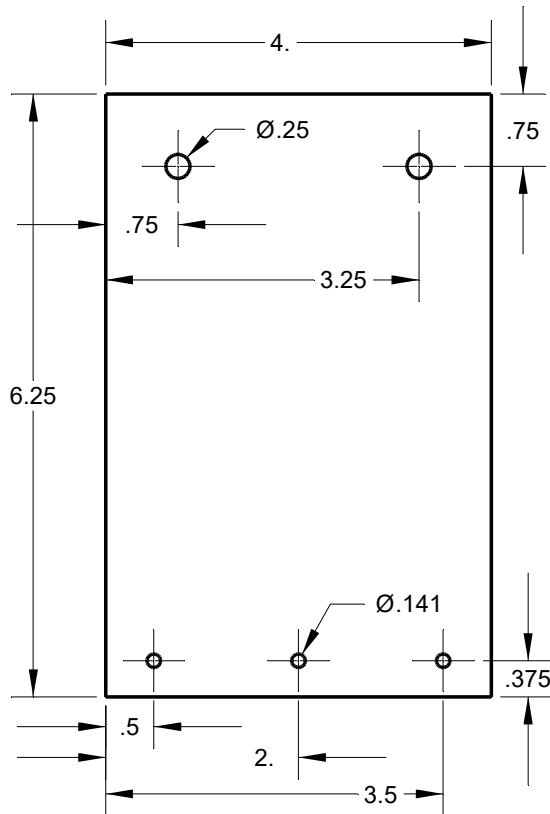
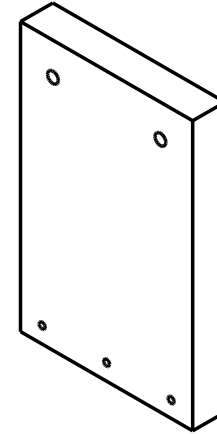
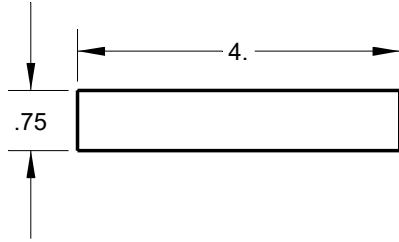
Unless Otherwise Specified: Dimensions in Inches Tolerances: Fractional ± Angular: Mach ± Bend ± Two Place Decimal ± Three Place Decimal ±		Name	Date	BootstrapCNC	
Material	--	Drawn			
Finish	--	Checked		Size	Drawing No.
Do Not Scale Drawing		ENG Appr.		A	FGTA
		MFR Appr.		Scale	1:1
		QA		CAD File	Sheet 1 of 1
		Comments	CAD Generated Drawing Do Not Manually Update		Rev
					A

Revisions			Date	Approved
Zone	Rev	Description		



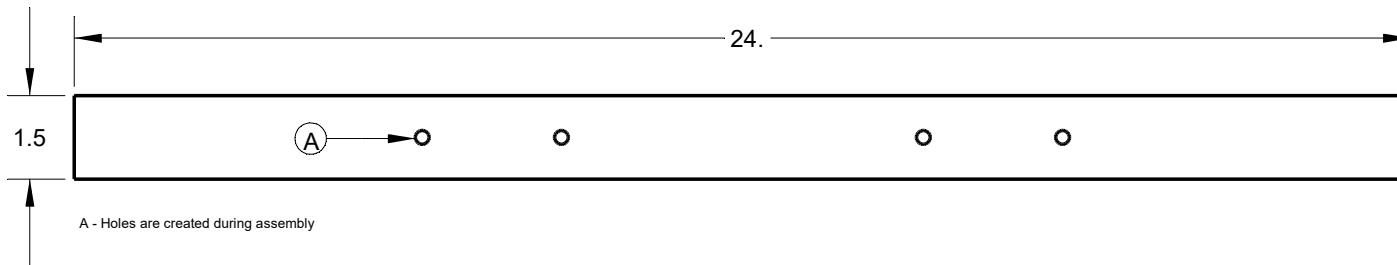
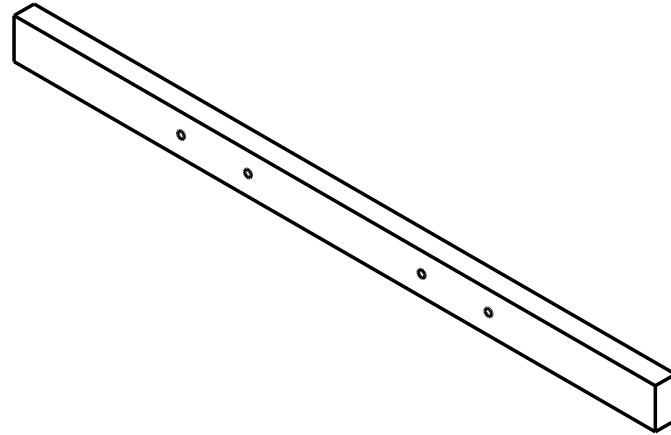
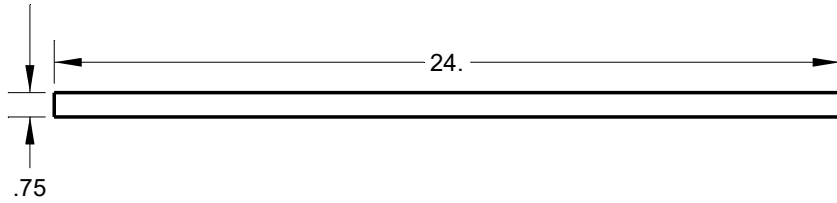
Unless Otherwise Specified: Dimensions in Inches Tolerances: Fractional ± Angular: Mach ± Bend ± Two Place Decimal ± Three Place Decimal ±	Drawn	Name	Date	BootstrapCNC CNC Router 2015 Flying Gantry Table			
	Checked						
	ENG Appr.						
	MFR Appr.						
	QA						
Material	Comments CAD Generated Drawing Do Not Manually Update			Size	Drawing No.	Rev	
Finish				A	FGT	A	
Do Not Scale Drawing				Scale	1:1	CAD File	Sheet 1 of 1

Revisions			Date	Approved
Zone	Rev	Description		

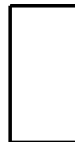


Unless Otherwise Specified: Dimensions in Inches Tolerances: Fractional ± Angular: Mach ± Bend ± Two Place Decimal ± Three Place Decimal ±	Name		Date		BootstrapCNC CNC Router 2015 Flying Gantry Table Leg		
	Drawn						
	Checked						
	ENG Appr.						
	MFR Appr.						
QA							
Comments							
Material	--		CAD Generated Drawing Do Not Manually Update		Size	Drawing No.	Rev
Finish	--				A	FGTL	A
Do Not Scale Drawing				Scale	1:1	CAD File	Sheet 1 of 1

Revisions			Date	Approved
Zone	Rev	Description		

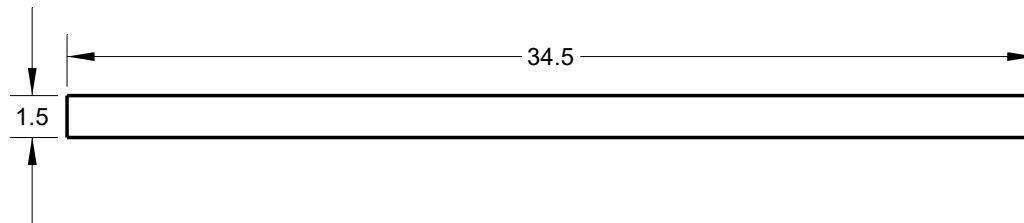
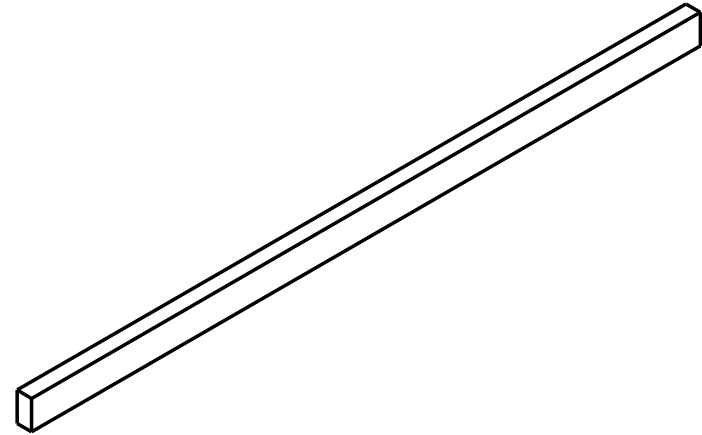
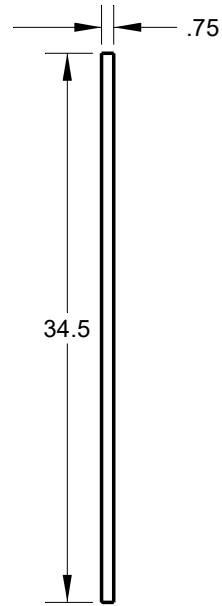


A - Holes are created during assembly



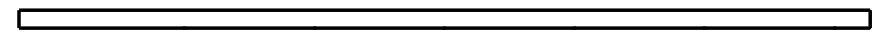
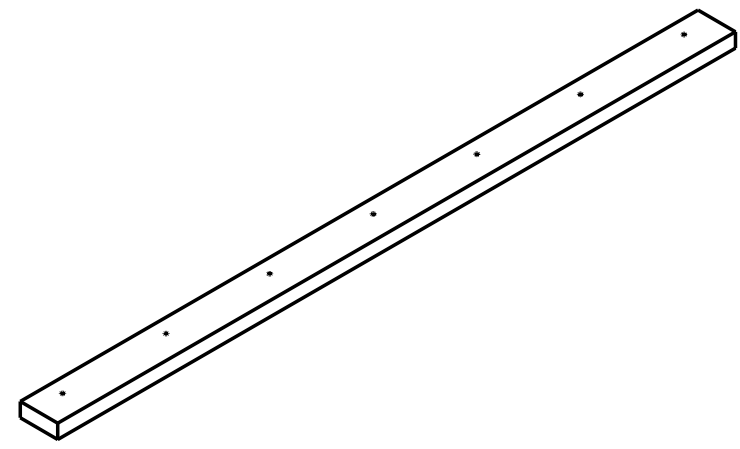
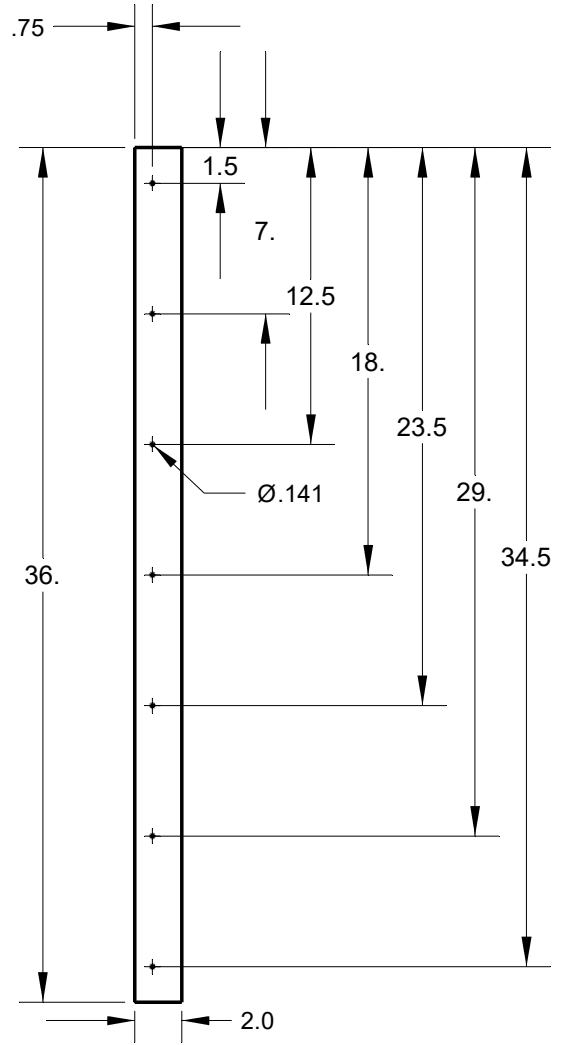
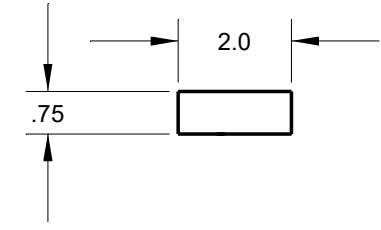
Unless Otherwise Specified:		Name	Date	BootstrapCNC					
Dimensions in Inches Tolerances: Fractional ± Angular: Mach ± Bend ± Two Place Decimal ± Three Place Decimal ±		Drawn							
		Checked		CNC Router 2015					
		ENG Appr.					Flying Gantry Table Support (End)		
		MFR Appr.							
		QA							
Comments		CAD Generated Drawing Do Not Manually Update		Size	Drawing No.	Rev			
Material	--			A	FGTSE	A			
Finish	--			Scale	1:1	CAD File	Sheet	1 of 1	
Do Not Scale Drawing									

Revisions			Date	Approved
Zone	Rev	Description		

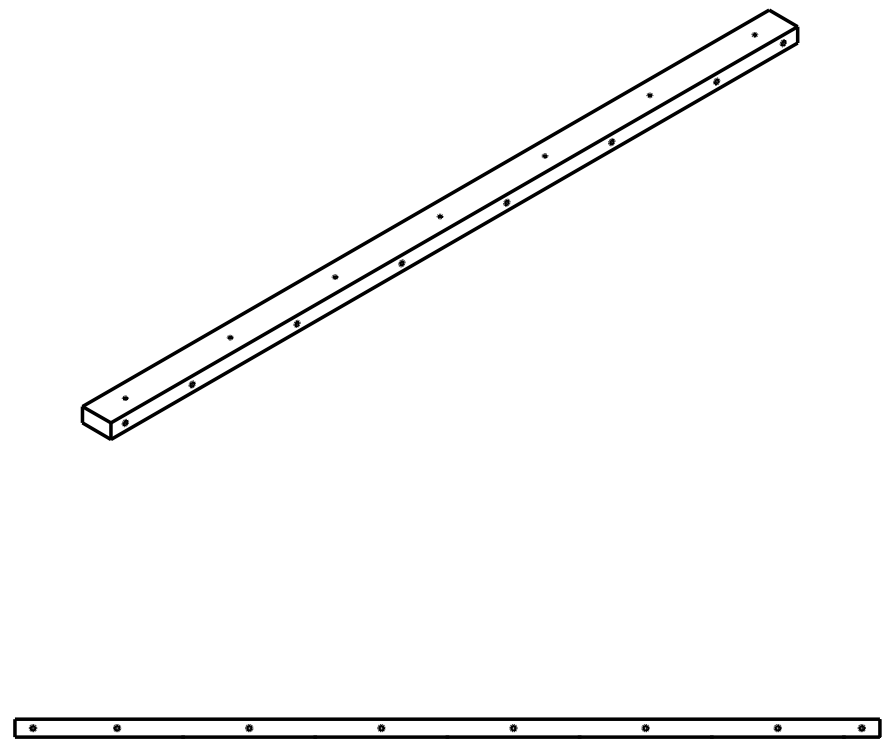
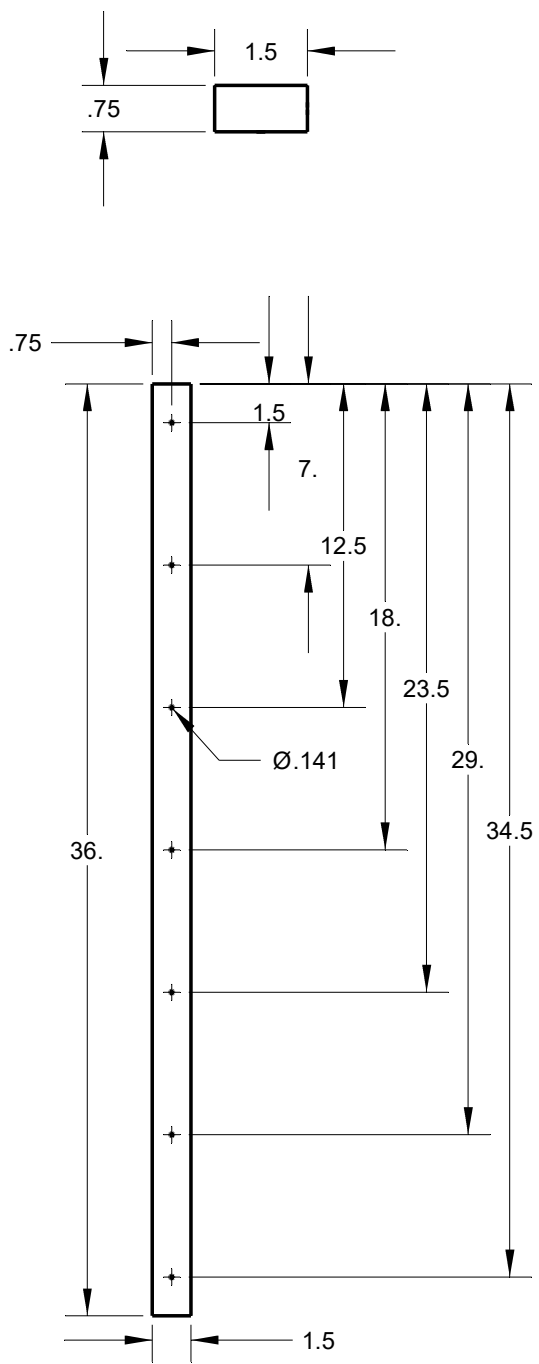


Unless Otherwise Specified: Dimensions in Inches Tolerances: Fractional ± Angular: Mach ± Bend ± Two Place Decimal ± Three Place Decimal ±	Drawn	Name	Date	BootstrapCNC CNC Router 2015 Flying Gantry Table Support		
	Checked					
	ENG Appr.					
	MFR Appr.					
	QA					
Material --	Comments CAD Generated Drawing Do Not Manually Update			Size	Drawing No.	Rev
Finish --				A	FGTS	A
Do Not Scale Drawing				Scale 1:1	CAD File	Sheet 1 of 1

Revisions			Date	Approved
Zone	Rev	Description		



Unless Otherwise Specified:		Name	Date	BootstrapCNC					
Dimensions in Inches		Drawn				CNC Router 2015			
Tolerances: Fractional ±		Checked						36 Inch Rail Tensioner Spacer	
Angular: Mach ± Bend ±		ENG Appr.							
Two Place Decimal ±		MFR Appr.							
Three Place Decimal ±		QA							
Material --		Comments		Size	Drawing No.				
Finish --		CAD Generated Drawing Do Not Manually Update		A	RTS36				
Do Not Scale Drawing				Scale	Rev				
				1:1	A				
				CAD File	Sheet 1 of 1				



Revisions			Date	Approved
Zone	Rev	Description		

Unless Otherwise Specified: Dimensions in Inches Tolerances: Fractional ± Angular: Mach ± Bend ± Two Place Decimal ± Three Place Decimal ±	Drawn	Name	Date	BootstrapCNC CNC Router 2015 36 Inch Rail Tensioner	
	Checked				
	ENG Appr.				
	MFR Appr.				
	QA				
Material	Comments CAD Generated Drawing Do Not Manually Update			Size	Drawing No.
Finish				A	RT36
Do Not Scale Drawing				Scale	CAD File
				Sheet	Rev
				1 of 1	A